

YANMAR DIESEL ENGINE

YANMAR

PARTS CATALOG

MODEL

4TNE88-SA01~04

4TNE88-GIA01

4TNE88-ESA01~05

4TNE88-EGIA01~03

Published

July.,2001

000Y00R5200

PREFACE

1. This Parts Catalog carries all parts incorporated in YANMAR Model 4TNE88-SA01~SA04, 4TNE88-G1A01, 4TNE88-ESA01~ESA05 & 4TNE88-EG1A01~EG1A03 engines.

2. Model name

Column	Model name	Manufactured	E/#
(A)	4TNE88-SA01	1998/12~	38915~
	4TNE88-SA02		
	4TNE88-SA03		
	4TNE88-SA04		
(B)	4TNE88-G1A01	1998/12~	38875~
(C)	4TNE88-ESA01	1999/2~	39548~
	4TNE88-ESA02		
	4TNE88-ESA03		
	4TNE88-ESA04		
	4TNE88-ESA05		
(D)	4TNE88-EG1A01	1999/1~	39262~
	4TNE88-EG1A02		
	4TNE88-EG1A03		

3. Each illustration corresponds to the parts list on the following page.

4. When ordering parts, clearly write down the engine model and serial number, as well as the name and number of each part in your order sheet. This will help insure reliable delivery of the parts you have ordered.

How to read this Parts Catalog.

- Parts mentioned in this Parts Catalog may not necessarily be standard equipping parts.
- Parts change may be made without prior notice.
- Form of this Parts Catalog.

90.10.23

(29) F0770740070 (77-3333)
FUEL INJECTION PUMP(W/BOOST)

① ② ③ ④ ⑤ ⑥

REF.	LEV.	PART NO.	DESCRIPTION	(A)	(B)	(C)	(D)	(E)	(F)	I	P	U	A	R
1-1	..	729595-51390 79505-54391 (A=E00185) (B=E00200)	FUEL INJECTION PUMP FUEL INJECTION PUMP	1	1	1	1	1	1					N
3	..	26022-060162 26022-060162 (A=E00156) (B=E00156)	SCREW M 6X 16 SCREW M 6X 16	9	9	9	9	9	9					
4	..	129470-51040 122710-51050 120470	CAMSHAFT BEARING, ROLLER RETAINER OIL	1	1	1	1	1	1					

REMARKS (E) (F)
1) 77-3333 4JH-DT, 4JH-DTZ (1) BOOST COMPENSATOR TYPE. OPTIONAL PART, TO E/00155, 4JH-DT, 4JH-DTZ
E/00155 77-3333 4JH-DT, 4JH-DTZ 52A

Y023466

① Ref. No.

The Ref. No. in the list may not be accord with the Ref. No. on illustration.

(Ex.) Illustration No. List head No.

↑ (Before change) → 1 [] (After change)

When interchangeable symbol N, R and K, illustrations for the new parts are sometimes omitted.

② Lev. (Level)

Indication and Meaning of Level

Level: Hereunder is given the relation among the number of dots (·), the level and the nominal parent-child relationship.

- Parent parts (Assembly parts)
- Child parts included in "·" (Semi-Assembly parts, component parts of Assembly parts.)
- Child parts included in "··". Grand-child parts in terms of "·". (Component parts of Semi-Assembly parts.)

Note) A part of non-sale parts are illustrated but not listed.

③ Change Mark

Change Mark "I" is given to the part for which a design change was made at this time. The design change was not shown in the last published Parts Catalog.

④ Interchangeability Mark

In the case where a part change took place, one of the following interchangeability marks is indicated for that part.

Symbol	Interchangeability	Contents note
N	Old \$\$\$ NEW	New Part is interchangeable for Old Part but not interchangeable conversely.
Q	Old \$\$\$ NEW	New Part is not interchangeable for Old Part but interchangeable conversely.
R	Old \$\$\$ NEW	New Part is interchangeable for Old Part and vice versa.
S	Old \$\$\$ NEW	New Part is not interchangeable for Old Part and vice versa.
W		Part newly added.
Z		Part discontinued.
F		Not interchangeable single part but interchangeable by set of the related parts.
K		Changed only in quantity used.

⑤ Effective Machine No.

When a part is changed, Effective Machine No. of a Model for which the part is applicable is indicated in each column of (A) - (F).

Product symbol	Product No.	Product symbol	Product No.
C	Clutch No., Copressor No.	M	Machine No.
D	Drive No.	T	Tractor No.
E	Engine No.	Note1) *	Date

Note1) Date may follow the symbol in some cases. (Ex.) *1990. 02

Note2) As far as engine models shown by "XXX" are concerned, the modification of the parts could not be predicted or the engine models themselves could not be identified.

Note3) (A=E00185) means that the design change on the part has been effective for the model at the column (A) (in this case, for 4JH-DT) on and from E (Engine Serial Number) 00185.

⑥ Remarks Mark

Figures or alphabets (Symbols) are entered in the remark column.

The comments (remarks) on the pertinent parts are indicated in the lower part of the list by the same symbols as those stated above.

*

*

*

*

CONTENTS

*

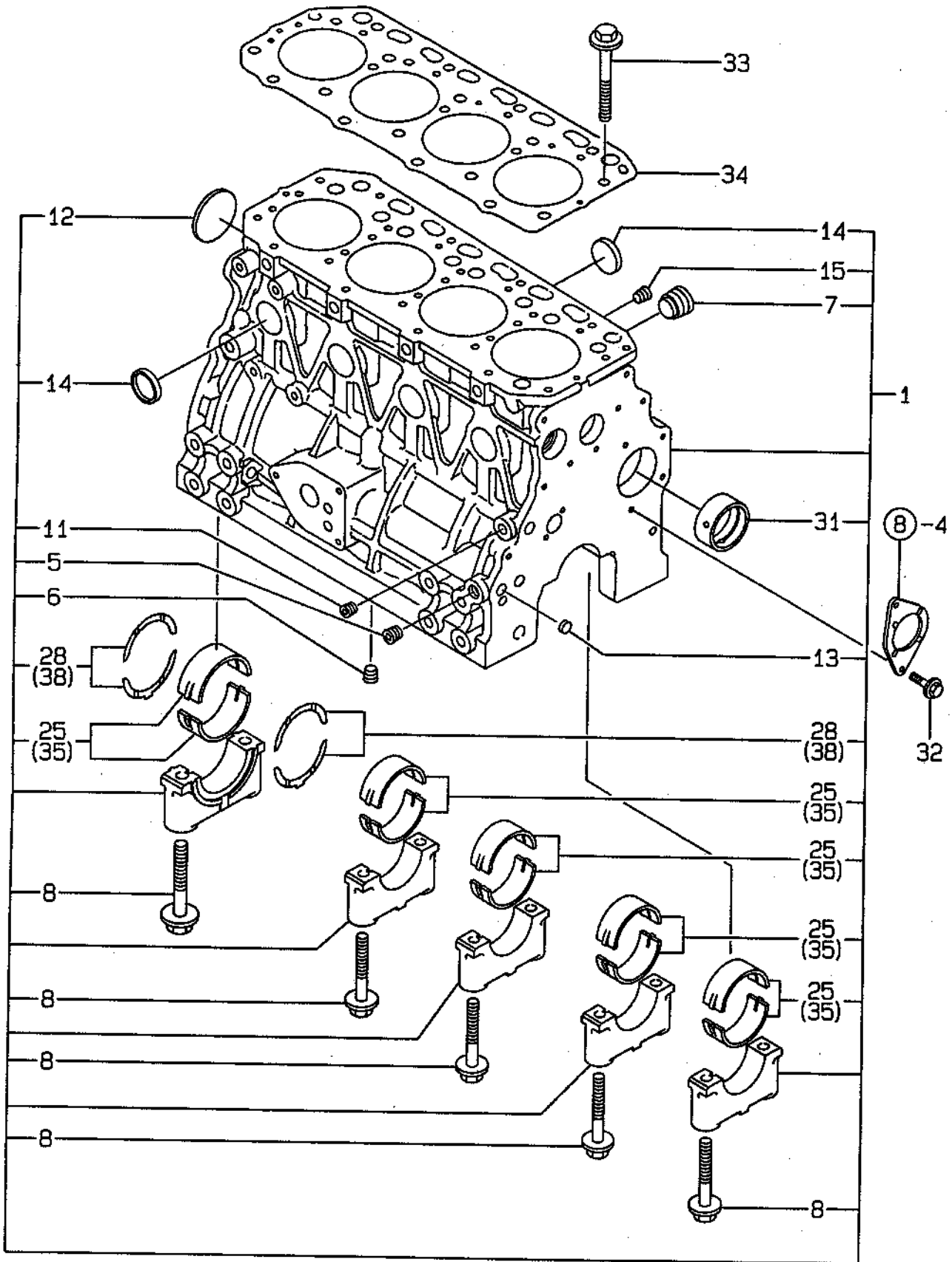
*

*

(PC NO.Y00R5200)

GROUP NO.	GROUP NAME	LOCATION NO.
1	CYLINDER BLOCK	1A02
2	GEAR HOUSING	1A03
3	FLYWHEEL HOUSING & OIL SUMP	1A04
4	CYLINDER HEAD & BONNET	1A05
5	CYLINDER HEAD & BONNET	1A06
6	SUCTION MANIFOLD & AIR CLEANER	1A07
7	EXHAUST MANIFOLD & SILENCER	1A08
8	CAMSHAFT & DRIVING GEAR	1A09
9	CRANKSHAFT & PISTON	1A10
10	LUB.OIL SYSTEM	1A11
11	COOLING WATER SYSTEM	1A12
12	RADIATOR	1A13
13	FUEL INJECTION PUMP	1A14
14	GOVERNOR	1A16
15	FUEL INJECTION VALVE	1B02
16	FUEL FILTER	1B03
17	ENGINE CONTROL DEVICE	1B04
18	STARTING MOTOR	1B05
19	STARTING MOTOR	1B06
20	STARTING MOTOR(COLD DISTRICT)	1B07
21	GENERATOR	1B08
22	OUTPUT SHAFT	1B10
23	PANEL	1B11
24	GASKET SET & TOOL(OPTIONAL)	1B12

1. CYLINDER BLOCK



(1) CYLINDER BLOCK

(A)=4TNE88-SA (D)=4TNE88-EG1A
 (B)=4TNE88-G1A01(E)=
 (C)=4TNE88-ESA (F)=

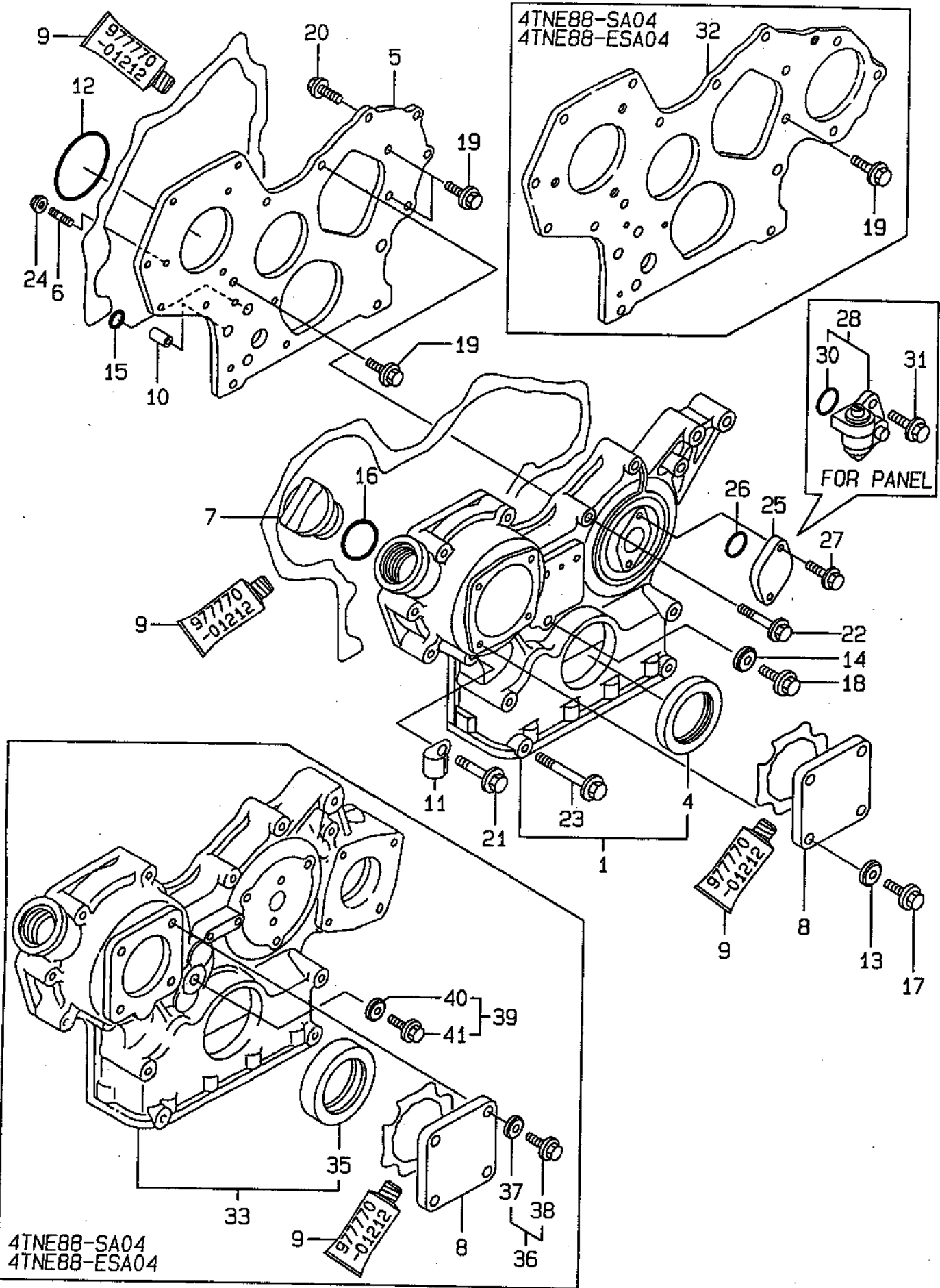
1A02 |
 (1A01)|
 Y00R5200

REF. NO.	LEV. 0	PART NO.	DESCRIPTION	-----Q'TY-----						I P/U A R
				(A)	(B)	(C)	(D)	(E)	(F)	
1	.	729407-01561	BLOCK ASSY, CYLINDER	1	1	1	1			
5	..	124160-01910	PLUG PT1/4	2	2	2	2			
6	..	124160-01910	PLUG PT1/4	1	1	1	1			
7	..	171051-01921	PLUG	1	1	1	1			
8	..	129150-02020	BOLT, METAL CAP	10	10	10	10			
11	..	23871-010000	PLUG PT1/8, SCREW	1	1	1	1			
11-1	..	23876-010000	PLUG PT1/8, SCREW	1	1	1	1			N
		(A=EXXX)	(B=EXXX)	(C=EXXX)	(D=EXXX)					
12	..	27231-500000	PLUG 50	1	1	1	1			
12-1	..	129001-01250	PLUG 50	1	1	1	1			N
		(A=EXXX)	(B=EXXX)	(C=EXXX)	(D=EXXX)					
13	..	27241-120000	PLUG 12	2	2	2	2			
14	..	27241-300000	PLUG 30	8	8	8	8			
15	..	23871-030000	PLUG PT3/8, SCREW	1	1	1	1			
15-1	..	23876-030000	PLUG PT3/8, SCREW	1	1	1	1			N
		(A=EXXX)	(B=EXXX)	(C=EXXX)	(D=EXXX)					
25	..	129001-02930	MAIN BEARING SET	5	5	5	5			(3)
28	..	129150-02930	METAL, THRUST	2	2	2	2			
31	..	129795-02411	BUSH, CAMSHAFT	1	1	1	1			
32	.	26106-080162	BOLT M 8X 16 PLATED	2	2	2	2			
33	.	129150-01200	STUD, CYL. HEAD	18	18	18	18			
34	.	129407-01340	GASKET, CYL. HEAD	1	1	1	1			
35	.	129150-02870	MAIN METAL US=0.25	5	5	5	5			(1)
38	.	129150-02940	METAL, THRUST.25(2PIE	1	1	1	1			(2)

REMARKS

- (1) UNDER-SIZED (U.S=0.25) PART.
 (2) OVER-SIZED (O.S=0.25) PART.
 (3) REPAIR PART.

2. GEAR HOUSING



4TNE88-SA04
4TNE88-ESA04

(2) GEAR HOUSING

(A)=4TNE88-SA (D)=4TNE88-EG1A
 (B)=4TNE88-G1A01(E)=
 (C)=4TNE88-ESA (F)=

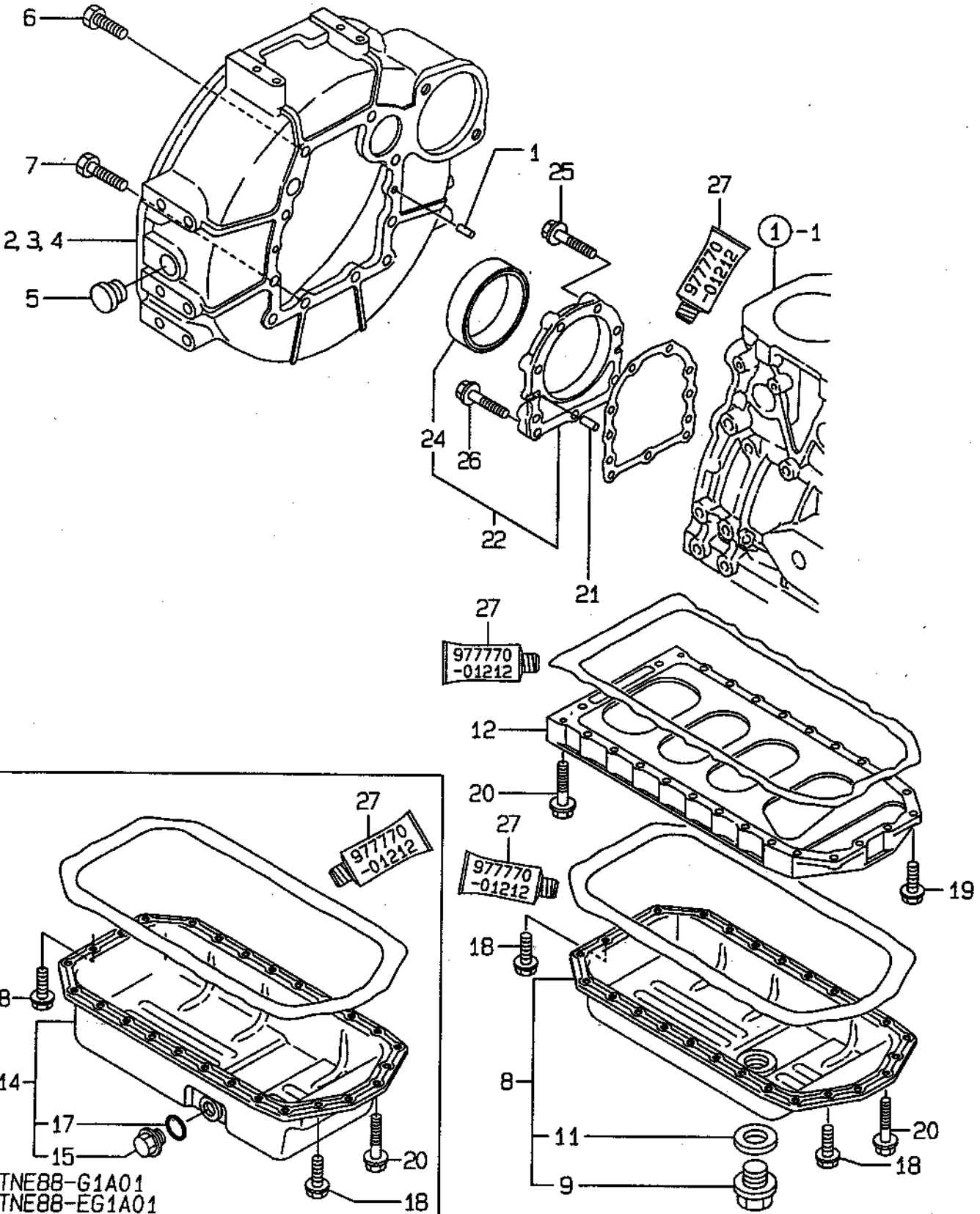
+-----+
 | 1A03 |
 |(1A01)|
 +-----+
 Y00R5200

REF. NO.	LEV. 0	PART NO.	DESCRIPTION	-----Q'TY----- I P/U A R					
				(A)	(B)	(C)	(D)	(E)	(F)
1	.	719810-01500	HOUSING ASSY, GEAR	1	1	1	1		
4	..	129795-01800	SEAL, OIL	1	1	1	1		
5	.	129400-01520	FLANGE, GEARS HOUSING	1	1	1	1		
6	.	121450-01560	STUD M 8X 22	3	3	3	3		
7	.	124160-01751	CAP, LUB.OIL SUPPLY	1	1	1	1		
8	.	124240-01871	COVER, HO-P	1	1	1	1		
9	.	977770-01212	GASKET, LIQUID	1	1	1	1		(3)
10	.	129795-01950	PIPE, KNOCK L=18	2	2	2	2		
11	.	129150-03100	RETAINER	1	1	1	1		
12	.	121850-51960	O-RING, F.I.PUMP	1	1	1	1		
13	.	22190-080002	SEAL WASHER 8S	4	4	4	4		
14	.	22190-080002	SEAL WASHER 8S	1	1	1	1		
15	.	24311-000160	O-RING 1A P-16.0	2	2	2	2		
16	.	24311-000320	O-RING 1A P-32.0	1	1	1	1		
17	.	26106-080122	BOLT M 8X 12 PLATED	4	4	4	4		
18	.	26106-080162	BOLT M 8X 16 PLATED	1	1	1	1		
19	.	26106-080162	BOLT M 8X 16 PLATED	3	3	3	3		
20	.	26106-080202	BOLT M 8X 20 PLATED	2	2	2	2		
21	.	26106-080452	BOLT M 8X 45 PLATED	6	6	6	6		
22	.	26106-080552	BOLT M 8X 55 PLATED	3	3	3	3		
23	.	129001-91841	BOLT M 8X 85 PLATED	4	4	4	4		
24	.	26366-080002	NUT M 8	3	3	3	3		
25	.	121023-01550	COVER, BLIND	1	1	1	1		
26	.	24341-000240	O-RING 1A S-24.0	1	1	1	1		
27	.	26106-060162	BOLT M 6X 16 PLATED	2	2	2	2		
28	.	129150-91400	GEAR UNIT, TACHOMETER	1	1	1	1		(1)
30	..	24341-000240	O-RING 1A S-24.0	1	1	1	1		(1)
31	.	26106-060162	BOLT M 6X 16 PLATED	2	2	2	2		(1)
32	.	171353-01520	FLANGE, GEAR HOUSING	1		1			(2)
33	.	171353-01580	GEAR CASE ASSY	1		1			(2)
35	..	129795-01800	SEAL, OIL	1		1			(2)
36	.	124550-01590	BOLT M8X16	4		4			(2)
37	..	22190-080003	SEAL WASER 8	4		4			(2)
38	..	26106-080162	BOLT M 8X 16 PLATED	4		4			(2)
39	.	124550-01590	BOLT M8X16	1		1			(2)
40	..	22190-080003	SEAL WASER 8	1		1			(2)
41	..	26106-080162	BOLT M 8X 16 PLATED	1		1			(2)

----- REMARKS -----

(1) FOR PANEL.
 (2) FOR(SA04)(ESA04).
 (3) OPTIONAL PART.

3. FLYWHEEL HOUSING & OIL SUMP



(3) FLYWHEEL HOUSING & OIL SUMP

(A)=4TNE88-SA (D)=4TNE88-EG1A
 (B)=4TNE88-G1A01 (E)=
 (C)=4TNE88-ESA (F)=

1A04
 (1A01)
 Y00R5200

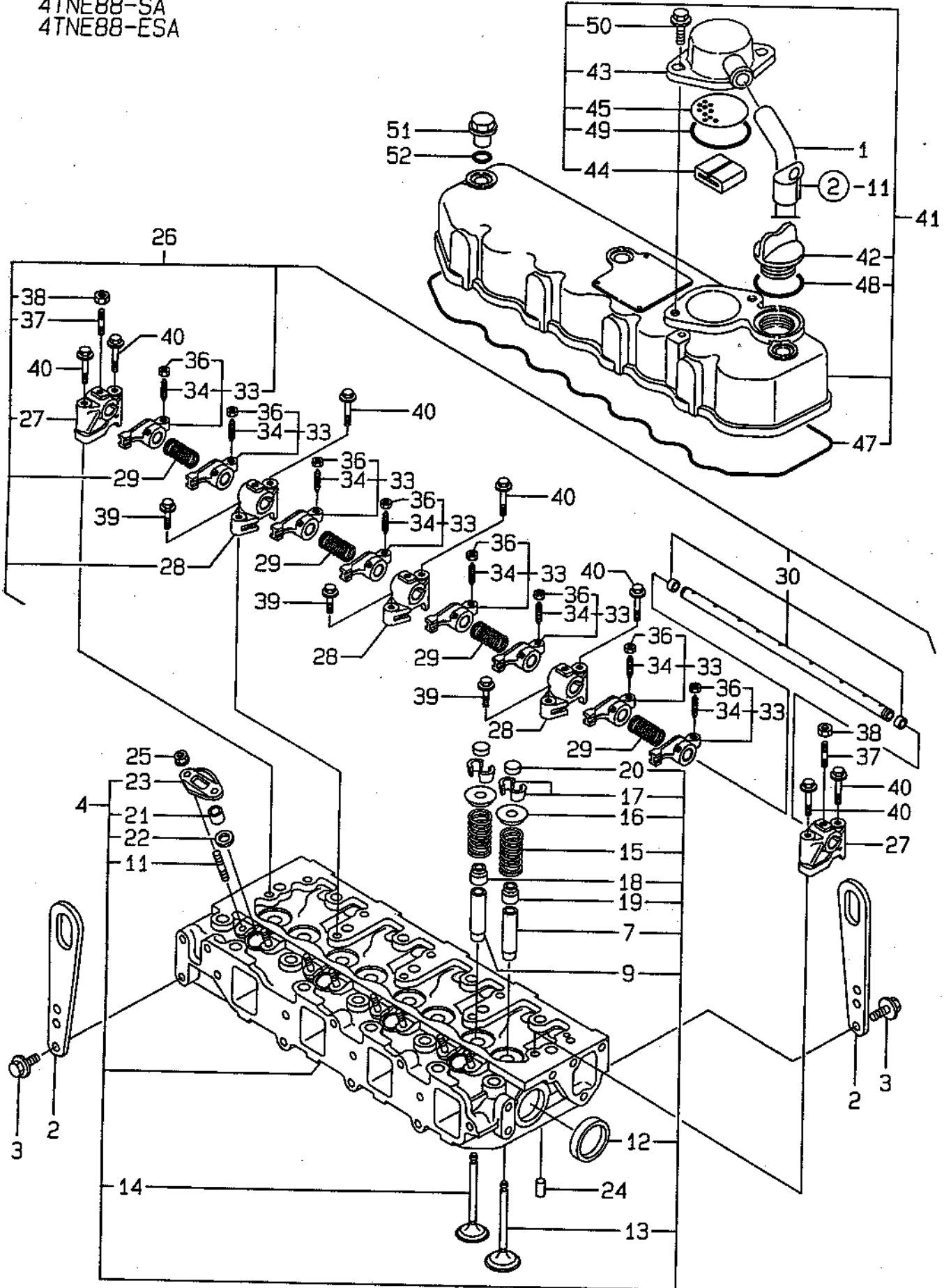
REF. NO.	LEV. 0	PART NO.	DESCRIPTION	-----Q'TY-----						I P/U A R
				(A)	(B)	(C)	(D)	(E)	(F)	
1	.	129100-01580	PARALLEL PIN 8X16	2	2	2	2			
2	.	119888-01600	HOUSING, FLYWHEEL	1		1				(1)
3	.	129612-01600	HOUSING, FLYWHEEL	1		1				(2)
4	.	171420-01600	HOUSING, FLYWHEEL		1		1			
5	.	119620-01750	CAP, FLYWHEEL COVER	1	1	1	1			
6	.	26206-100252	BOLT M10X25	6	6	6	6			
7	.	26206-100302	BOLT M10X30	4	4	4	4			
8	.	729402-01540	SUMP ASSY, LUB OIL	1		1	1			
9	..	119640-01640	DRAIN PLUG M22	1		1	1			
11	..	22190-220002	SEAL WASHER 22S	1		1	1			
12	.	129400-01730	SPACER, OIL SUMP	1	1	1	1			
14	.	129400-01770	SUMP ASSY, LUB. OIL		1		1			(3)
15	..	171301-01640	PLUG M22		1		1			(3)
17	..	24341-000250	O-RING 1A S-25.0		1		1			(3)
18	.	26106-080162	BOLT M 8X 16 PLATED	4	4	4	4			
19	.	26106-080252	BOLT M 8X 25 PLATED	2	2	2	2			
20	.	26106-080452	BOLT M 8X 45 PLATED	24	24	24	24			
21	.	129100-01580	PARALLEL PIN 8X16	2	2	2	2			
22	.	129100-01640	CASE ASSY, OIL SEAL	1	1	1	1			
24	..	129795-01780	SEAL OIL	1	1	1	1			
25	.	129486-01670	BOLT M8X30, COLLAR HD	6	6	6	6			
26	.	26106-080352	BOLT M 8X 35 PLATED	3	3	3	3			
27	.	977770-01212	GASKET, LIQUID	1	1	1	1			(4)

REMARKS

- (1) FOR(SA01) (SA04) (ESA01) (ESA04) (ESA05).
- (2) FOR(SA02) (SA03) (ESA02) (ESA03).
- (3) FOR(EG1A01).
- (4) OPTIONAL PART.

4. CYLINDER HEAD & BONNET

4TNE88-SA
4TNE88-ESA



(4) CYLINDER HEAD & BONNET

(A)=4TNE88-SA (D)=4TNE88-EG1A

(B)=4TNE88-G1A01(E)=

(C)=4TNE88-ESA (F)=

REF. NO.	LEV. 0	PART NO.	DESCRIPTION	-----Q'TY----- I P/U A R					
				(A)	(B)	(C)	(D)	(E)	(F)
1	.	171350-03090	PIPE, BREATHER	1	1				
2	.	129900-07900	LIFTER, ENGINE	2	2				
3	.	26106-080162	BOLT M 8X 16 PLATED	4	4				
4	.	129457-11700	HEAD W/BUSH,CYLINDER	1	1				
7	..	120130-11860	GUIDE, VALVE	4	4				(1)
9	..	129150-11810	GUIDE, VALVE	4	4				(1)
11	..	26216-060202	STUD M 6X 20 PLATED	8	8				
12	..	27241-400000	PLUG 40	2	2				
13	..	129100-11100	VALVE, INTAKE	4	4				
14	..	129100-11110	VALVE, EXHAUST	4	4				
15	..	129795-11120	SPRING, VALVE	8	8				
16	..	129795-11180	RETAINER, SPRING	8	8				
17	..	27310-080000	COTTER 8	8	8				
18	..	121400-11340	SEAL, VALVE STEM	4	4				
19	..	124460-11340	SEAL, VALVE STEM	4	4				
20	..	129150-11370	CAP, VALVE	8	8				
21	..	119625-11870	PROTECTOR, NOZZLE	4	4				
22	..	119625-11880	SEAT, NOZZLE	4	4				
23	..	119625-11900	RETAINER	4	4				
24	.	22351-060012	SPRING PIN 6X12	2	2				
25	.	26366-060002	NUT M 6	8	8				
26	.	129555-11241	SHAFT ASSY, ROCKER	1	1				
27	..	129155-11260	SUPPORT, ROCKER ARM	2	2				
28	..	129155-11270	SUPPORT, ROCKER ARM	3	3				
29	..	129150-11280	SPRING	4	4				
30	..	129550-11290	SHAFT, ROCKER ARM	1	1				
33	..	729402-11650	ARM ASSY, ROCKER	8	8				
34	...	129150-11230	SCREW, VALVE	8	8				
36	...	129150-11750	NUT M8XP1.0	8	8				
37	..	26226-080182	STUD M 8X 18 PLATED	3	3				
38	..	26756-080002	LOCK NUT M 8 PLATED	3	3				
39	.	26106-080252	BOLT M 8X 25 PLATED	3	3				
40	.	26106-080502	BOLT M 8X 50 PLATED	7	7				
41	.	129400-11350	BONNET ASSY	1	1				
42	..	124160-01751	CAP, LUB.OIL SUPPLY	1	1				
43	..	129150-03020	COVER, BREATHER	1	1				
44	..	129150-03070	BAFFLE, BREATHER	1	1				
45	..	129150-03080	PLATE, SHELTER	1	1				
47	..	129550-11310	GASKET, BONNET	1	1				
48	..	24311-000320	O-RING 1A P-32.0	1	1				
49	..	24341-000500	O-RING 1A S-50.0	1	1				
50	..	26106-080162	BOLT M 8X 16 PLATED	2	2				
51	.	124160-11360	KNOB	3	3				
52	.	24311-000120	O-RING 1A P 12.0	3	3				

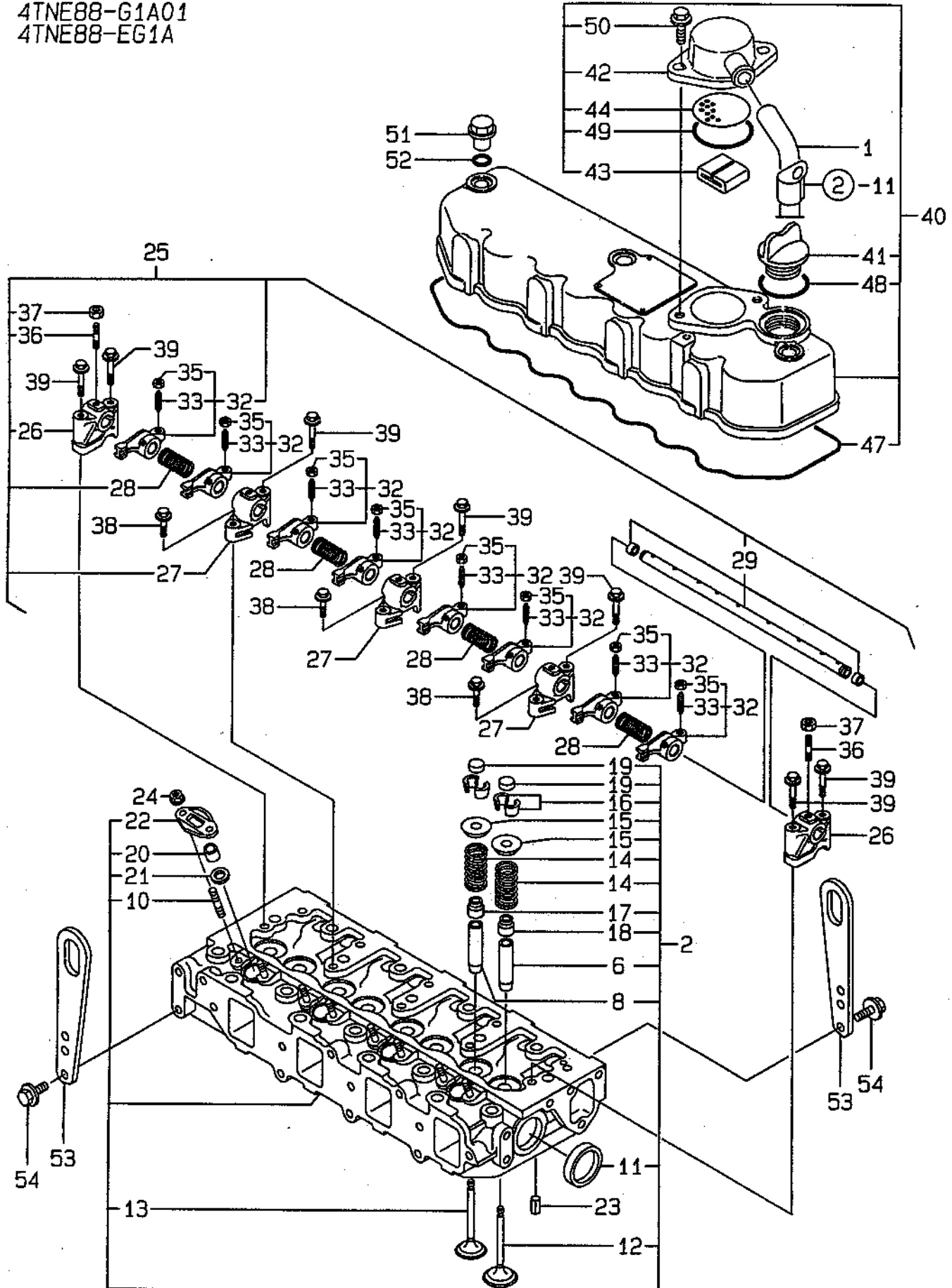
REMARKS

(1) REPAIR PART.

Y129594

5. CYLINDER HEAD & BONNET

4TNE88-G1A01
4TNE88-EG1A



(5) CYLINDER HEAD & BONNET

-----+
 | 1A06 |
 | (1A01) |
 +-----+
 Y00R5200

(A)=4TNE88-SA (D)=4TNE88-EG1A
 (B)=4TNE88-G1A01 (E)=
 (C)=4TNE88-ESA (F)=

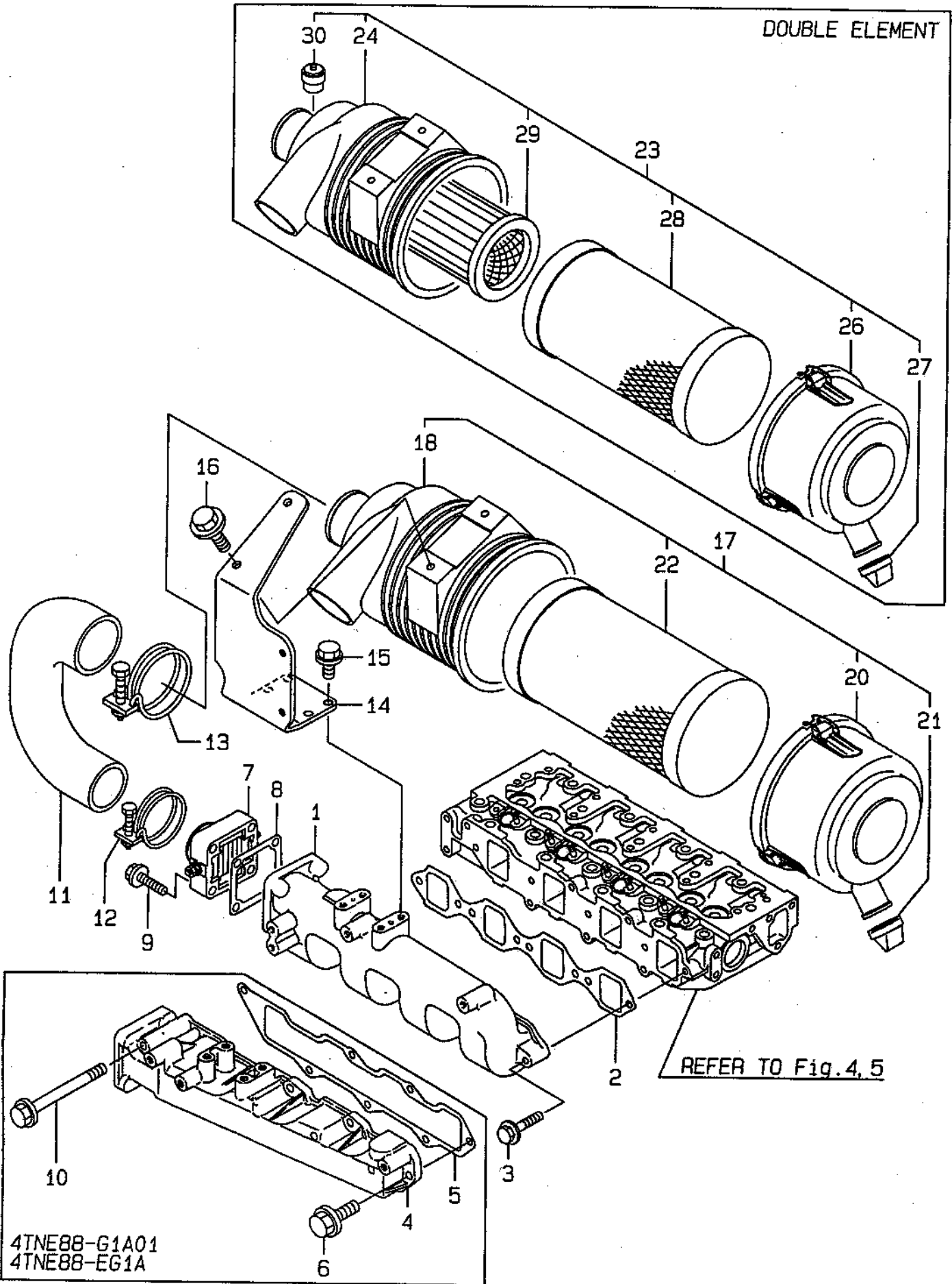
REF. NO.	LEV. 0	PART NO.	DESCRIPTION	-----Q'TY----- I P/U A R					
				(A)	(B)	(C)	(D)	(E)	(F)
1	..	171350-03090	PIPE, BREATHER	1			1		
2	.	129407-11700	HEAD ASSY, CYLINDER	1			1		
6	..	120130-11860	GUIDE, VALVE	4			4		(1)
8	..	129150-11810	GUIDE, VALVE	4			4		(1)
10	..	26216-060202	STUD M 6X 20 PLATED	8			8		
11	..	27241-400000	PLUG 40	2			2		
12	..	129100-11100	VALVE, INTAKE	4			4		
13	..	129100-11110	VALVE, EXHAUST	4			4		
14	..	129795-11120	SPRING, VALVE	8			8		
15	..	129795-11180	RETAINER, SPRING	8			8		
16	..	27310-080000	COTTER 8	8			8		
17	..	121400-11340	SEAL, VALVE STEM	4			4		
18	..	124460-11340	SEAL, VALVE STEM	4			4		
19	..	129150-11370	CAP, VALVE	8			8		
20	..	119625-11870	PROTECTOR, NOZZLE	4			4		
21	..	119625-11880	SEAT, NOZZLE	4			4		
22	..	119625-11900	RETAINER	4			4		
23	.	22351-060012	SPRING PIN 6X12	2			2		
24	.	26366-060002	NUT M 6	8			8		
25	.	129500-11240	SHAFT, ROCKER ARM	1			1		
26	..	129155-11260	SUPPORT, ROCKER ARM	2			2		
27	..	129155-11270	SUPPORT, ROCKER ARM	3			3		
28	..	129150-11280	SPRING	4			4		
29	..	129550-11290	SHAFT, ROCKER ARM	1			1		
32	..	129100-11650	ARM ASSY, ROCKER	8			8		
33	...	129150-11230	SCREW, VALVE	8			8		
35	...	129150-11750	NUT M8XP1.0	8			8		
36	..	26226-080182	STUD M 8X 18 PLATED	3			3		
37	..	26756-080002	LOCK NUT M 8 PLATED	3			3		
38	.	26106-080252	BOLT M 8X 25 PLATED	3			3		
39	.	26106-080502	BOLT M 8X 50 PLATED	7			7		
40	.	129400-11350	BONNET ASSY	1			1		
41	..	124160-01751	CAP, LUB.OIL SUPPLY	1			1		
42	..	129150-03020	COVER, BREATHER	1			1		
43	..	129150-03070	BAFFLE, BREATHER	1			1		
44	..	129150-03080	PLATE, SHELTER	1			1		
47	..	129550-11310	GASKET, BONNET	1			1		
48	..	24311-000320	O-RING 1A P-32.0	1			1		
49	..	24341-000500	O-RING 1A S-50.0	1			1		
50	..	26106-080162	BOLT M 8X 16 PLATED	2			2		
51	.	124160-11360	KNOB	3			3		
52	.	24311-000120	O-RING 1A P 12.0	3			3		
53	.	129900-07900	LIFTER, ENGINE	2			2		
54	.	26106-080162	BOLT M 8X 16 PLATED	4			4		

REMARKS

(1) REPAIR PART.

Y129595

6. SUCTION MANIFOLD & AIR CLEANER



4TNE88-G1A01
4TNE88-EG1A

(6) SUCTION MANIFOLD & AIR CLEANER

(A)=4TNE88-SA (D)=4TNE88-EG1A

(B)=4TNE88-G1A01(E)=

(C)=4TNE88-ESA (F)=

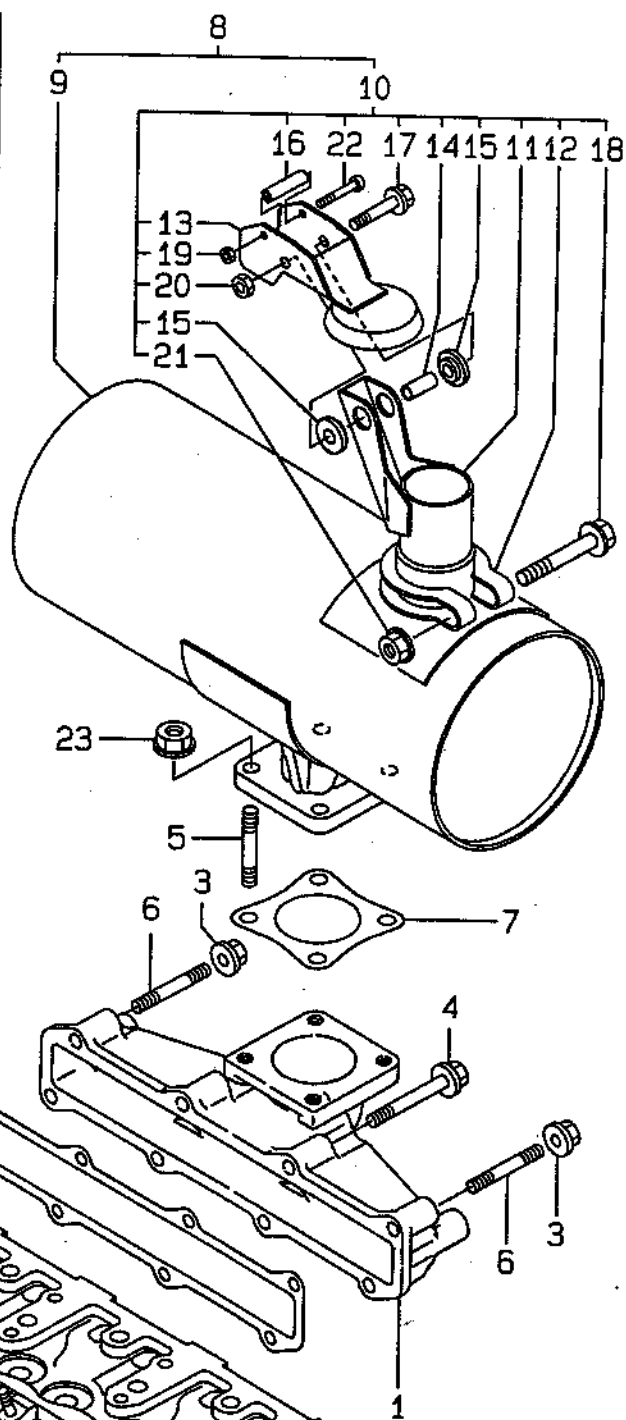
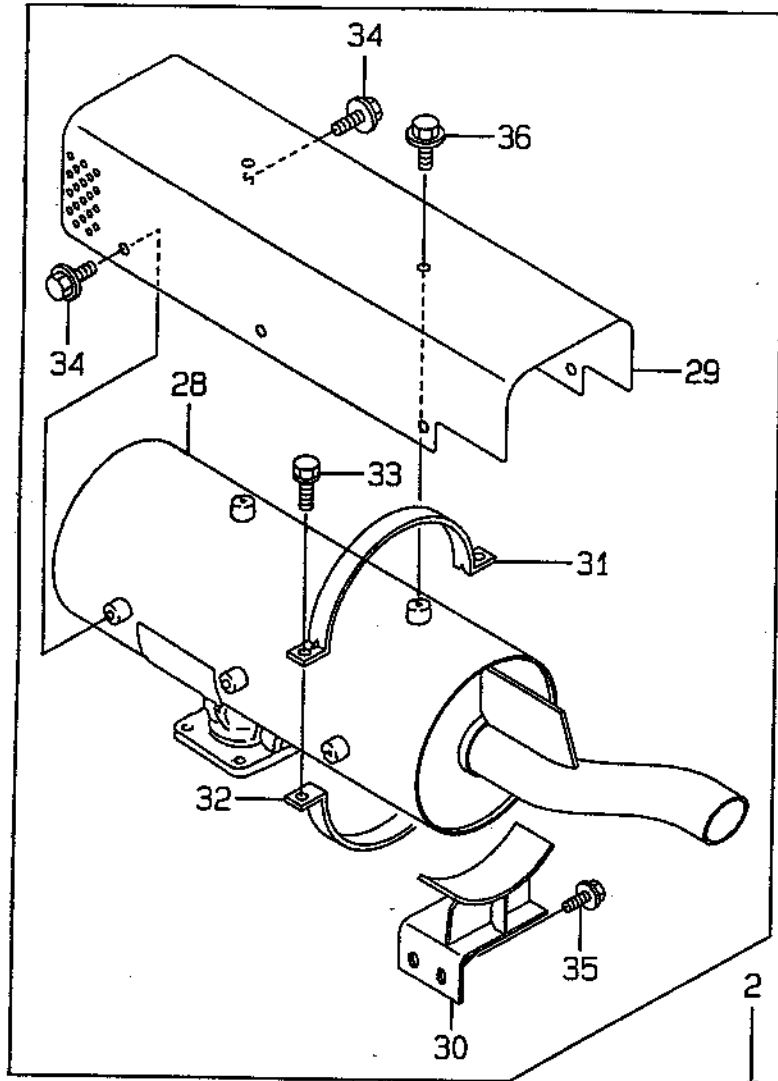
REF. NO.	LEV. 0	PART NO.	DESCRIPTION	-----Q'TY-----						I P/U A R
				(A)	(B)	(C)	(D)	(E)	(F)	
1	.	129488-12100	MANIFOLD, AIR INTAKE	1		1				
2	.	129550-12111	GASKET, (NON-ASB.)	1		1				
3	.	26106-080352	BOLT M 8X 35 PLATED	5		5				
4	.	129407-12100	MAINFOLD, INTAKE		1		1			
5	.	129407-12110	GASKET, INT. MANIFOLD		1		1			
6	.	26106-080202	BOLT M 8X 20 PLATED		6		6			
7	.	129120-77501	HEATER, AIR	1	1	1	1			
8	.	129150-77511	GASKET, (NON-ASB.)	1	1	1	1			
9	.	26106-080352	BOLT M 8X 35 PLATED	4	4	4	4			
10	.	26106-080802	BOLT M 8X 80 PLATED		1		1			
11	.	129609-12210	PIPE CMP, INTAKE	1	1	1	1			
12	.	23000-060000	CLAMP 60	1	1	1	1			
13	.	23000-080000	CLAMP 80	1	1	1	1			
14	.	129609-12550	BRACKET	1	1	1	1			
15	.	26106-080182	BOLT M 8X 18 PLATED	4	4	4	4			
16	.	26106-080182	BOLT M 8X 18 PLATED	2	2	2	2			
17	.	129609-12500	CLEANER ASSY, AIR	1	1	1	1			(1)
18	..	129609-12530	BODY, AIR CLEANER	1	1	1	1			(1)
20	..	129900-12530	COVER ASSY	1	1	1	1			(1)
21	..	119808-12540	VALVE, UNLOADER	1	1	1	1			(1)
22	..	129062-12560	ELEMENT	1	1	1	1			(1)
23	.	129609-12510	CLEANER ASSY, AIR	1	1	1	1			(2)
24	..	129609-12520	BODY, AIR CLEANER	1	1	1	1			(2)
26	..	129900-12530	COVER ASSY	1	1	1	1			(2)
27	..	119808-12540	VALVE, UNLOADER	1	1	1	1			(2)
28	..	129062-12560	ELEMENT	1	1	1	1			(2)
29	..	119005-12571	ELEMENT ASSY, INNER	1	1	1	1			(2)
30	..	126650-12680	INDICATOR	1	1	1	1			(2)

REMARKS

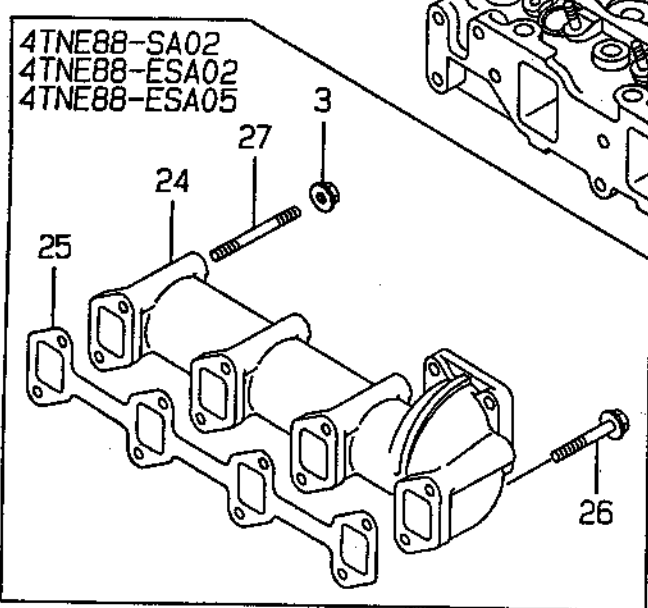
(1) FOR SINGLE ELEMENT.
 (2) FOR DOUBLE ELEMENT.

Y129596

7. EXHAUST MANIFOLD & SILENCER



REFER TO Fig. 4, 5



4TNE88-SA02
4TNE88-ESA02
4TNE88-ESA05

(7) EXHAUST MANIFOLD & SILENCER

(A)=4TNE88-SA (D)=4TNE88-EG1A

(B)=4TNE88-G1A01 (E)=

(C)=4TNE88-ESA (F)=

+-----+
| 1A08 |
| (1A01) |
+-----+
Y00R5200

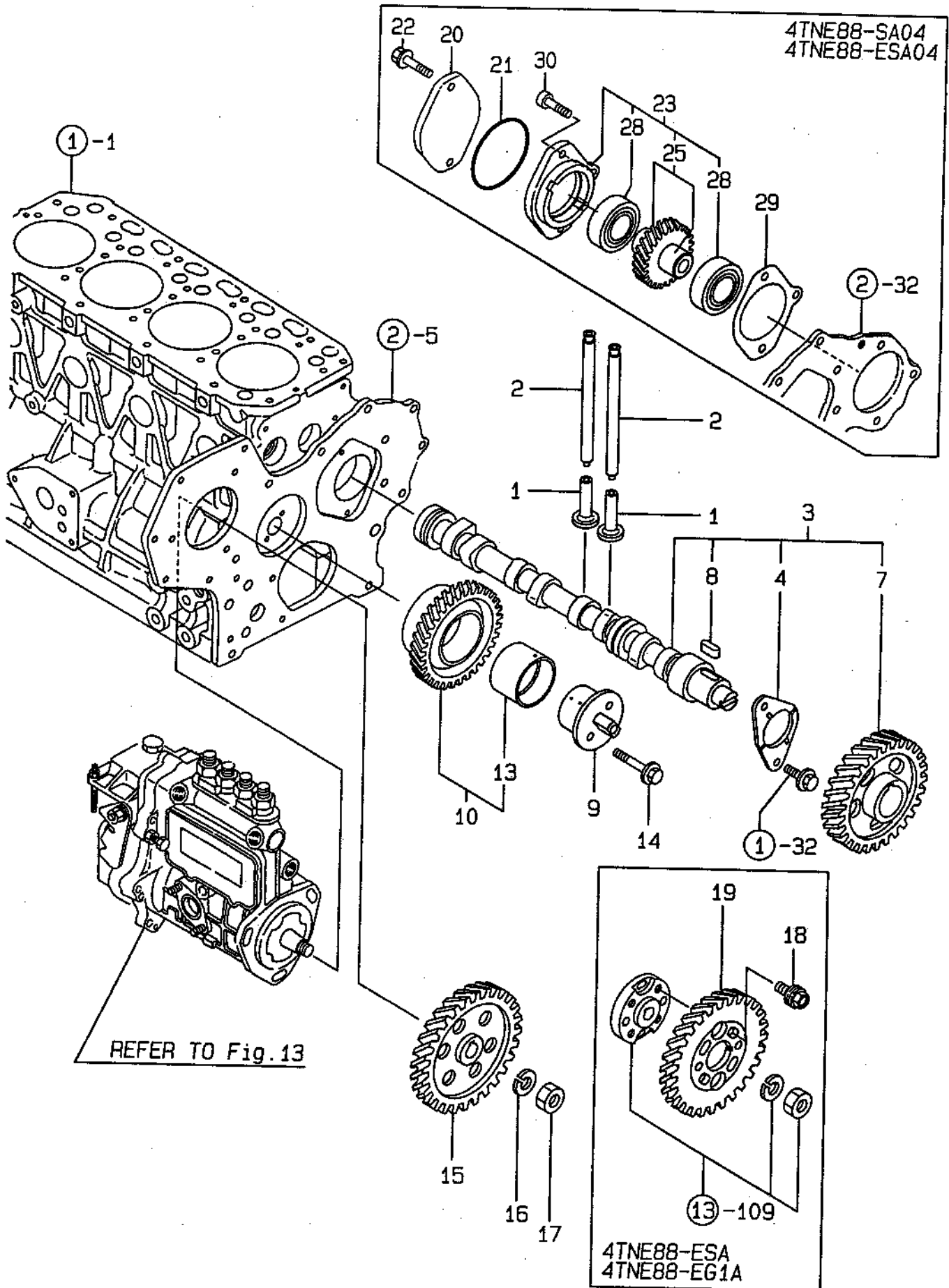
REF. NO.	LEV. 0	PART NO.	DESCRIPTION	-----Q'TY-----						I P/U A R
				(A)	(B)	(C)	(D)	(E)	(F)	
1	.	129407-13100	MANIFOLD, EXHAUST	1	1	1	1			
2	.	129407-13110	GASKET, MAINFOLD	1	1	1	1			
3	.	26366-080002	NUT M 8	2	2	2	2			
4	.	26106-080402	BOLT M 8X 40 PLATED	6	6	6	6			
5	.	119131-18320	BOLT M 8X 22	4	4	4	4			
6	.	26216-080402	STUD M 8X 40 PLATED	2	2	2	2			
7	.	129400-13201	GASKET, (NON-ASB.)	2	2	2	2			
8	.	129420-13501	SILENCER	1	1	1	1			
9	..	129420-13530	MUFFLER BODY ASSY	1	1	1	1			
10	...	129420-13540	TAILPIPE ASSY	1	1	1	1			
11	...	129420-13550	TAIL PIPE	1	1	1	1			
12	...	121850-13580	CLAMP	1	1	1	1			
13	...	128300-13640	RAIN CAP	1	1	1	1			
14	...	121855-13821	SPACER(A)	1	1	1	1			
15	...	121855-13830	SPACER(B)	2	2	2	2			
16	...	123500-13840	SPACER(C)	1	1	1	1			
17	...	26106-060402	BOLT M 6X 40 PLATED	1	1	1	1			
18	...	26106-100602	BOLT M10X 60 PLATED	1	1	1	1			
19	...	26347-040002	U-NUT M 4	1	1	1	1			
20	...	26347-060002	U NUT 6	1	1	1	1			
21	...	26366-100002	NUT M10	1	1	1	1			
22	...	26557-040352	SCREW M 4X 35	1	1	1	1			
23	.	26366-080002	NUT M 8	4	4	4	4			
24	.	129400-13101	MANIFOLD, EXHAUST	1		1				(1)
25	.	129550-13110	GASKET, EXH. MANIFOLD	1		1				(1)
26	.	26106-080802	BOLT M 8X 80 PLATED	6		6				(1)
27	.	26216-080802	STUD M 8X 80 PLATED	2		2				(1)
28	.	129411-13500	SILENCER	1		1				(2)
29	.	129411-13600	COVER, SILENCER	1		1				(2)
30	.	129411-13650	STAY, SILENCER	1		1				(2)
31	.	129411-13670	BAND (UPPER)	1		1				(2)
32	.	129411-13680	BAND (LOWER)	1		1				(2)
33	.	26014-080302	BOLT M 8X 30	2		2				(2)
34	.	26106-080102	BOLT M 8X 10 PLATED	6		6				(2)
35	.	26106-080142	BOLT M 8X 14 PLATED	2		2				(2)
36	.	26106-080142	BOLT M 8X 14 PLATED	2		2				(2)

----- REMARKS -----

(1) FOR (SA02) (ESA02) (ESA05)

(2) FOR SIDE OUTLET.

8. CAMSHAFT & DRIVING GEAR



(8) CAMSHAFT & DRIVING GEAR

(A)=4TNE88-SA (D)=4TNE88-EG1A
 (B)=4TNE88-G1A01(E)=
 (C)=4TNE88-ESA (F)=

+-----+
 | 1A09 |
 |(1A01)|
 +-----+
 Y00R5200

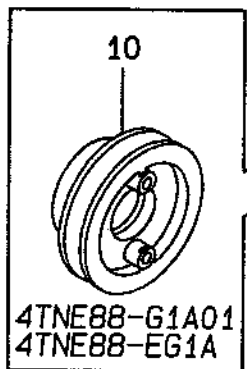
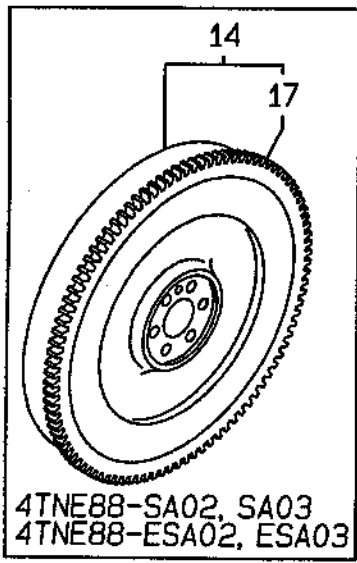
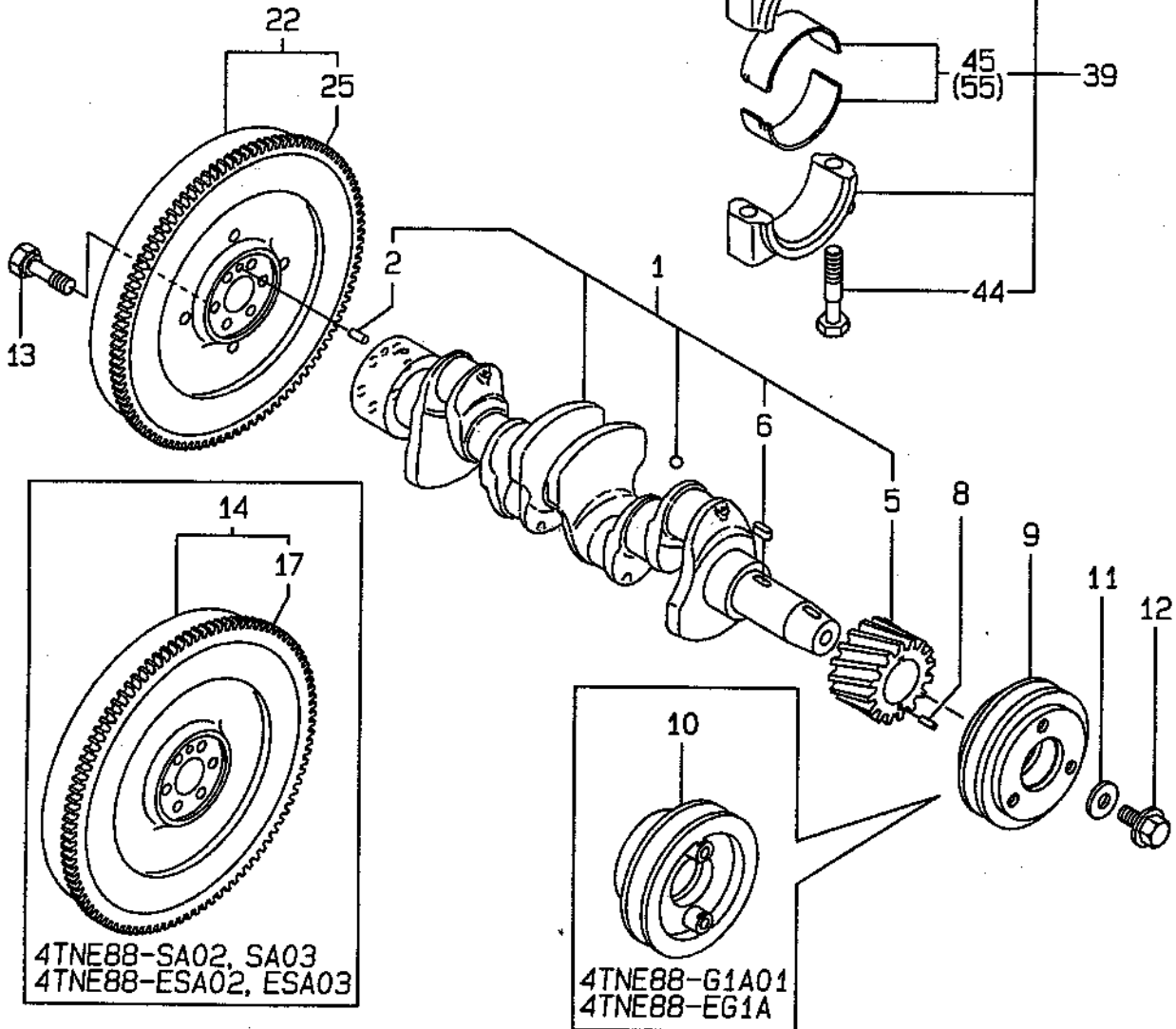
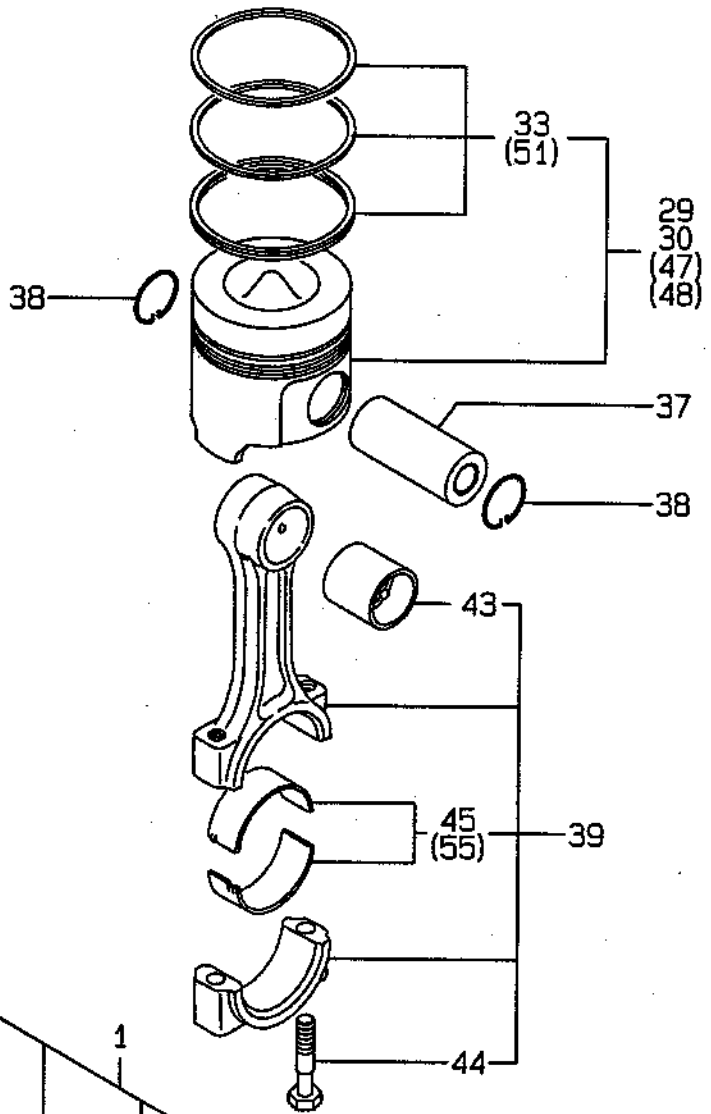
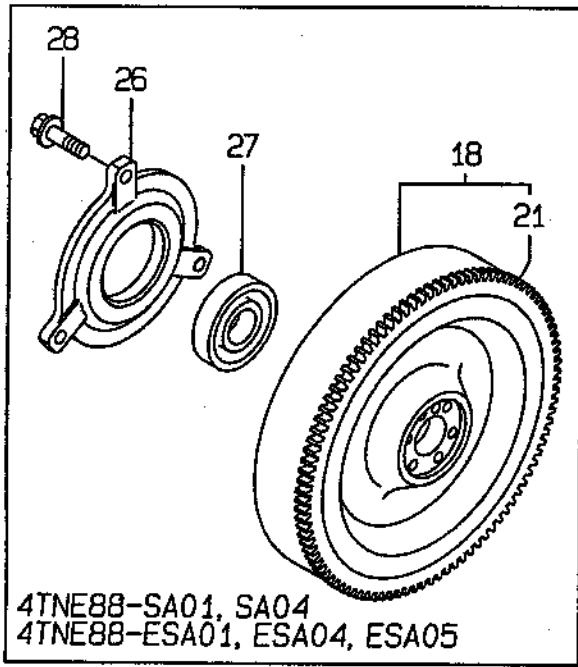
REF. NO.	LEV. 0	PART NO.	DESCRIPTION	-----Q'TY-----						I P/U A R
				(A)	(B)	(C)	(D)	(E)	(F)	
1	.	129150-14200	TAPPET	8	8	8	8			
2	.	129150-14400	ROD, PUSH	8	8	8	8			
3	.	729402-14580	CAMSHAFT ASSY	1	1	1	1			
4	..	129150-02450	METAL, THRUST (CAM	1	1	1	1			
7	..	129150-14101	GEAR, CAMSHAFT	1	1	1	1			
8	..	22512-070140	KEY 7X 14	1	1	1	1			
9	.	129100-25061	SHAFT, IDLE GEAR	1	1	1	1			
10	.	129150-25101	GEAR W/BUSH	1	1	1	1			
13	..	129150-25920	BUSH, IDLE GEAR	1	1	1	1			(1)
14	.	26106-080452	BOLT M 8X 45 PLATED	2	2	2	2			
15	.	129150-25900	GEAR, FUEL INJ. PUMP	1	1					
16	.	22217-120000	SPRING WASHER	1	1					
17	.	26716-120002	NUT 12	1	1					
18	.	129150-25301	BOLT, FI-P			4	4			
19	.	129150-25931	GEAR			1	1			
20	.	121023-26070	COVER, HO-P	1		1				(2)
21	.	24321-000850	O-RING 1A G-85.0	1		1				(2)
22	.	26106-100452	BOLT M10X 45 PLATED	2		2				(2)
23	.	171353-26000	PTO ASSY	1		1				(2)
25	..	171353-26200	GEAR W/SHAFT	1		1				(2)
28	..	24105-060064	BALL BEARING	2		2				(2)
29	.	171353-26081	GASKET, HO-P BRACKET	1		1				(2)
30	.	26450-080282	BOLT M 8X 28	1		1				(2)

REMARKS

(1) REPAIR PART.
 (2) FOR(SA04)(ESA04).

Y129598

9. CRANKSHAFT & PISTON



(9) CRANKSHAFT & PISTON

(A)=4TNE88-SA (D)=4TNE88-EG1A
 (B)=4TNE88-G1A01(E)=
 (C)=4TNE88-ESA (F)=

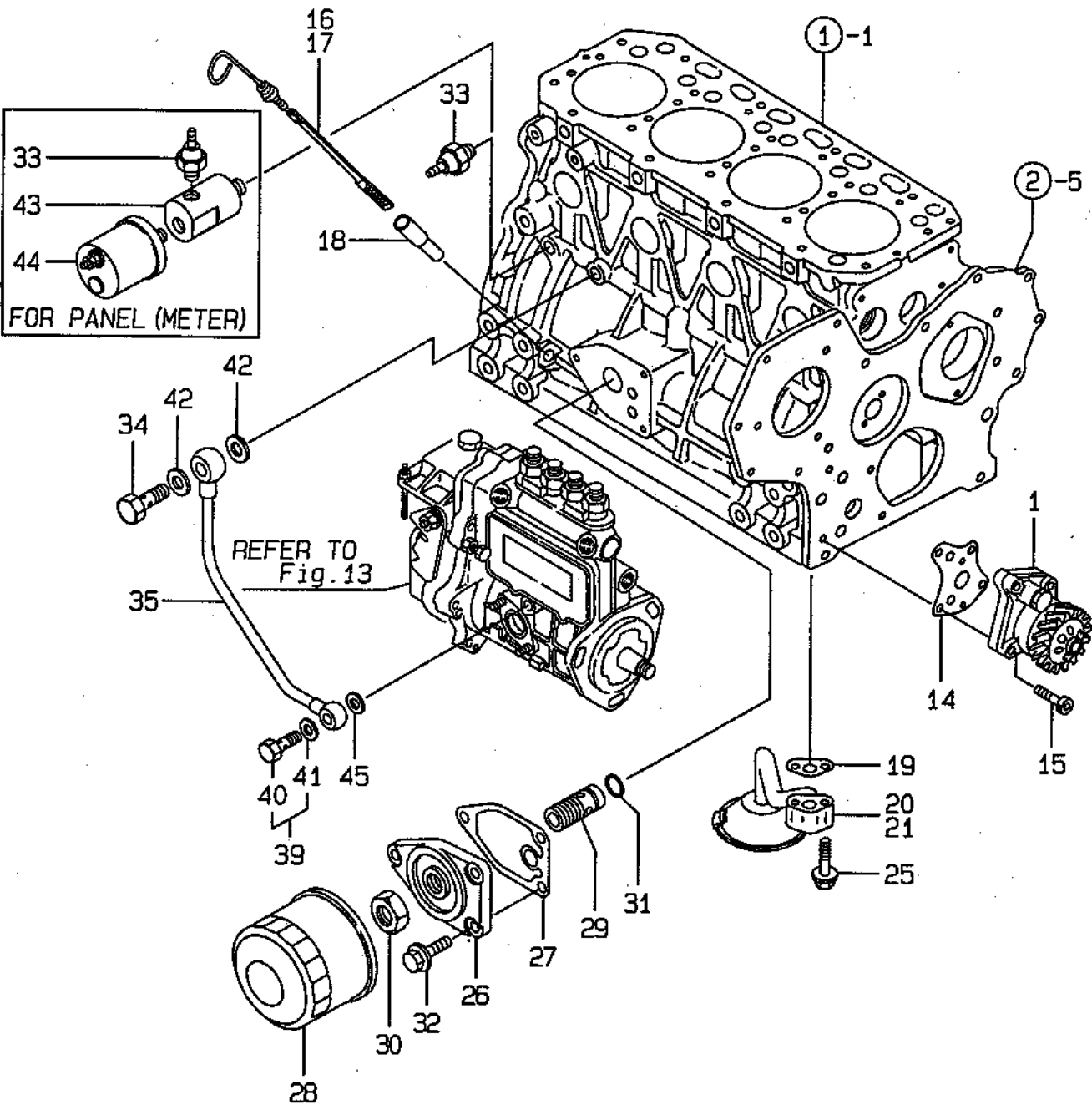
-----+
 | 1A10 |
 |(1A01)|
 -----+
 Y00R5200

REF. NO.	LEV. 0	PART NO.	DESCRIPTION	-----Q'TY-----						I P/U A R
				(A)	(B)	(C)	(D)	(E)	(F)	
1	.	129407-21000	CRANKSHAFT ASSY	1	1	1	1			
1-1	.	129407-21100	CRANKSHAFT ASSY	1	1	1	1			R
		(A=E54647) (B=E54464) (C=E54006) (D=E54012)								
2	..	129100-01580	PARALLEL PIN 8X16	1	1	1	1			
5	..	129150-21200	GEAR, CRANKSHAFT	1	1	1	1			
6	..	22512-070140	KEY 7X 14	1	1	1	1			
8	.	22351-040010	SPRING PIN 4X10	1	1	1	1			
9	.	171301-21650	V-PULLEY, CRANKSHAFT	1		1				
10	.	129550-21650	V-PULLEY, CRANKSHAFT		1		1			
11	.	129795-21661	WASHER	1	1	1	1			
12	.	121850-21680	BOLT, V-PULLEY	1	1	1	1			
13	.	121111-21501	BOLT, FLYWHEEL	6	6	6	6			
14	.	171420-21580	FLYWHEEL ASSY	1		1				(1)
17	..	119865-21600	GEAR, RING	1		1				(1)
18	.	129488-21590	FLYWHEEL ASSY	1		1				(2)
21	..	119865-21600	GEAR, RING	1		1				(2)
22	.	171420-21590	FLYWHEEL ASSY		1		1			
25	..	124550-21600	RING GEAR		1		1			
26	.	119888-21450	RETAINER, BEARING	1		1				(2)
27	.	24107-062054	BALL BEARING	1		1				(2)
28	.	26106-080222	BOLT M 8X 22 PLATED	3		3				(2)
29	.	129001-22081	PISTON W/RINGS	4	4		4			
30	.	129001-22070	PISTON W/RING				4			
33	..	129001-22500	RING SET, PISTON	4	4	4	4			
37	.	129202-22300	PIN, PISTON	4	4	4	4			
38	.	22252-000260	CIRCLIP 26	8	8	8	8			
39	.	729402-23100	ROD ASSY, CONNECTING	4	4	4	4			
43	..	129100-23910	BUSH, PISTON PIN	4	4	4	4			(3)
44	..	121550-23200	BOLT, CONNECTING ROD	8	8	8	8			
45	..	129150-23600	BEARING, CRANKPIN	4	4	4	4			
47	.	129001-22900	PISTON W/RING OS=.25	4	4		4			(4)
48	.	129001-22930	PISTON W/RING OS=.25				4			(4)
51	..	129001-22950	RING SET O.S=0.25	4	4	4	4			(4)
55	.	129150-23610	METAL.PIN US=0.25	4	4	4	4			(5)

----- REMARKS -----

- (1) FOR(SA02)(SA03)(ESA02)(ESA03).
 (2) FOR(SA01)(SA04)(ESA01)(ESA04)
 (ESA05).
 (3) REPAIR PART.
 (4) OVER-SIZED(O.S=0.25)PART.
 (5) UNDER-SIZED(U.S=0.25)PART.

10. LUB. OIL SYSTEM



(10) LUB.OIL SYSTEM

(A)=4TNE88-SA (D)=4TNE88-EG1A
 (B)=4TNE88-G1A01(E)=
 (C)=4TNE88-ESA (F)=

Y00R5200

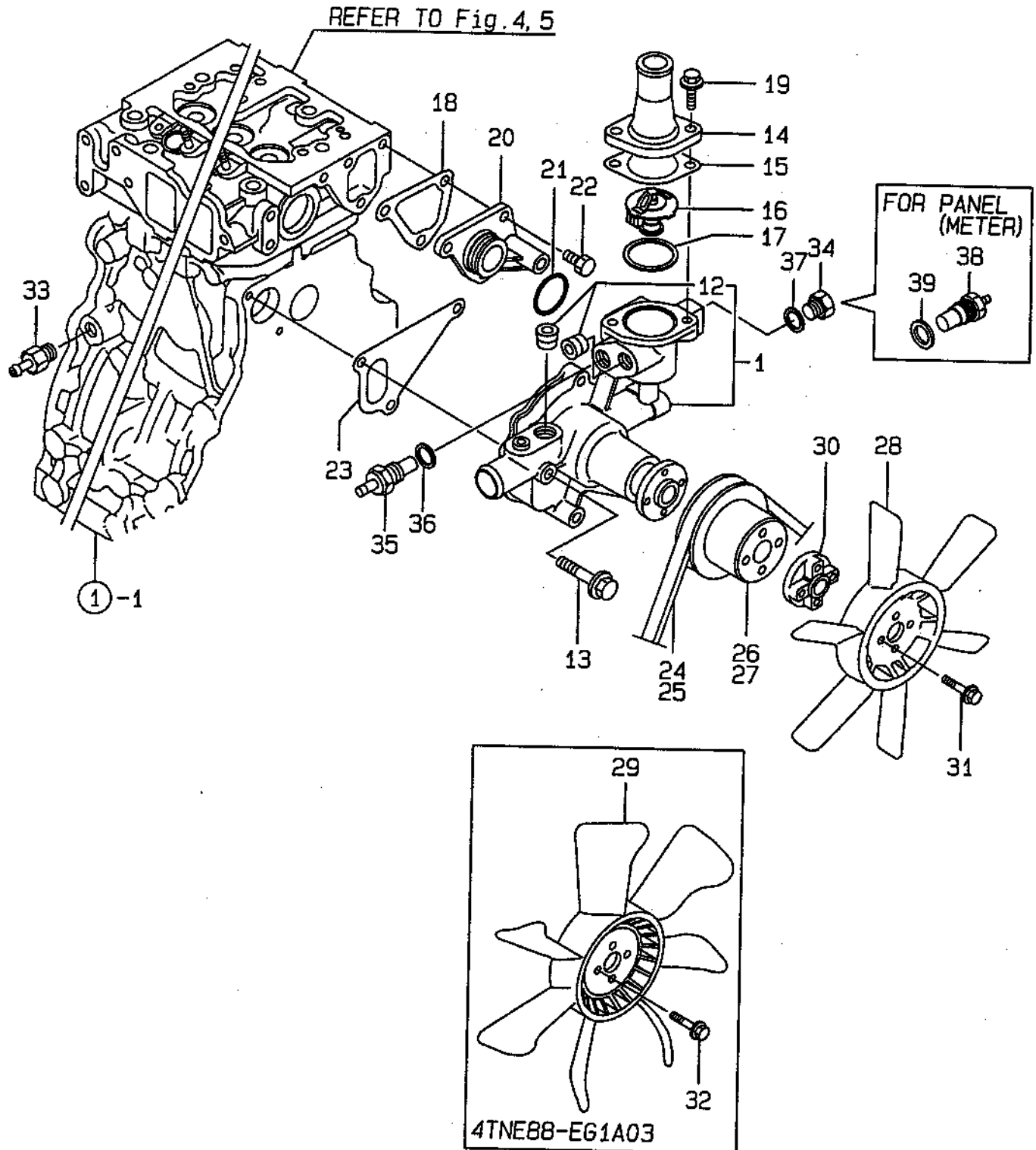
REF. NO.	LEV. 0	PART NO.	DESCRIPTION	-----Q'ITY-----					I P/U A R
				(A)	(B)	(C)	(D)	(E) (F)	
1	.	129407-32000	PUMP ASSY, LUB. OIL	1	1	1	1		
14	.	129150-32020	GASKET, L.O. PUMP	1	1	1	1		
15	.	26450-060252	BOLT M 6X 25	4	4	4	4		
16	.	171420-34800	DIPSTICK	1		1	1		
17	.	129136-34800	DIPSTICK, LUB. OIL		1		1		(1)
18	.	121520-34810	GUIDE, DIPSTICK	1	1	1	1		
19	.	129150-35041	GASKET, (NON-ASB.)	1	1	1	1		
20	.	129150-35091	PIPE ASSY, OIL INLET	1		1	1		
21	.	129436-35091	PIPE ASSY, LUB. OIL		1		1		(1)
25	.	26106-080352	BOLT M 8X 35 PLATED	2	2	2	2		
26	.	129150-35101	BRACKET, STRAINER	1	1	1	1		
27	.	129150-35111	GASKET, (NON-ASB.)	1	1	1	1		
28	.	129150-35151	FILTER 80X80L	1	1	1	1		
29	.	129001-35300	BOLT, LUB.O. STRAINER	1	1	1	1		
30	.	129150-35350	NUT	1	1	1	1		
31	.	24311-000160	O-RING 1A P-16.0	1	1	1	1		
32	.	26106-080202	BOLT M 8X 20 PLATED	3	3	3	3		
33	.	124160-39450	SWITCH, OIL PRESSURE	1	1	1	1		
33- 1	.	114250-39450	SWITCH, (0.5KG)L.O.	1	1	1	1		N
		(A=E47725) (B=E48324) (C=E47689) (D=E48650)							
34	.	124160-39140	BOLT 10, PIPE JOINT	1	1	1	1		
35	.	129550-39450	PIPE ASSY, LUB. OIL	1	1	1	1		
39	.	124550-59830	BOLT W/ SEAL WASHER	1	1	1	1		
40	..	124550-59820	BOLT 8, PIPE JOINT	1	1	1	1		
41	..	22190-080002	SEAL WASHER 8S	1	1	1	1		
42	.	22190-100002	SEAL WASHER 10S	2	2	2	2		
43	.	171375-39601	DUMPER ASSY	1	1	1	1		(2)
44	.	144626-91560	TACHO UNIT	1	1	1	1		(2)
45	.	22190-080002	SEAL WASHER 8S	1	1	1	1		

REMARKS

(1) FOR(EG1A01).
 (2) FOR PANEL(METER).

Y129600

11. COOLING WATER SYSTEM



(11) COOLING WATER SYSTEM

(A)=4TNE88-SA (D)=4TNE88-EG1A
 (B)=4TNE88-G1A01 (E)=
 (C)=4TNE88-ESA (F)=

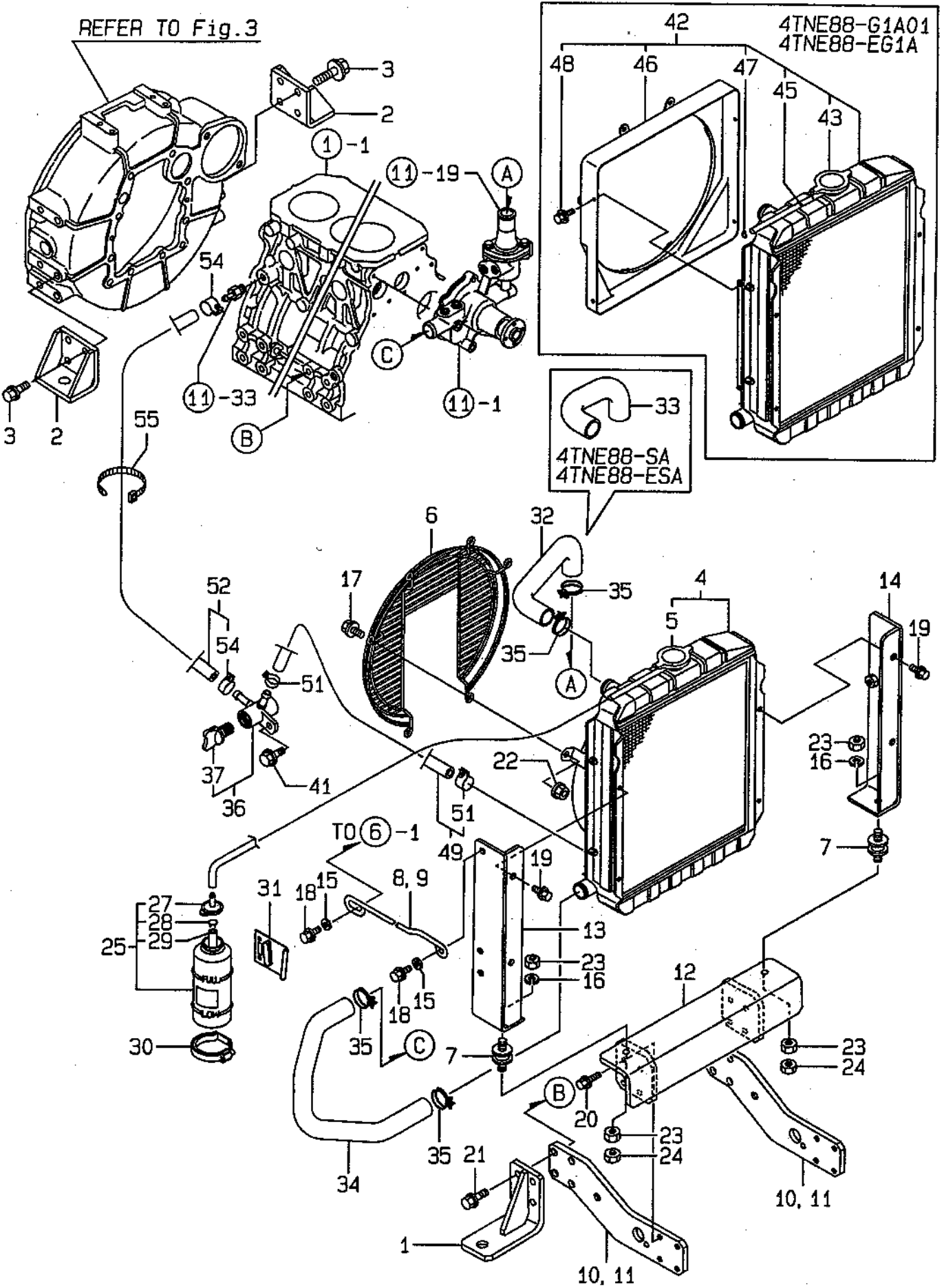
1A12 |
 (1A01)|
 YDOR5200

REF. NO.	LEV. 0	PART NO.	DESCRIPTION	Q'TY						I P/U A R
				(A)	(B)	(C)	(D)	(E)	(F)	
1	.	129001-42002	PUMP ASSY, C.WATER	1	1	1	1			
1- 1	.	129001-42003	PUMP ASSY, COOLANT	1	1	1	1			N
		(A=E45065) (B=E45102) (C=E45857) (D=E44618)								
12	..	23871-030000	PLUG PT3/8, SCREW	2	2	2	2			
12- 1	..	23876-030000	PLUG PT3/8, SCREW	2	2	2	2			N
		(A=E45065) (B=E45102) (C=E45857) (D=E44618)								
13	.	26106-080602	BOLT M 8X 60 PLATED	3	3	3	3			
14	.	129350-49560	COVER, THERMOSTAT	1	1	1	1			
15	.	129795-49551	GASKET, (NON-ASB.)	1	1	1	1			
16	.	129155-49800	THERMOSTAT	1	1	1	1			
17	.	129150-49811	GASKET, (NON-ASB.)	1	1	1	1			
18	.	129100-49840	GASKET, THERMO. CASE	1	1	1	1			
18- 1	.	124395-49840	GASKET, THERMO. CASE	1	1	1	1			N
		(A=E51511) (B=E51776) (C=E51987) (D=E51102)								
19	.	26106-080202	BOLT M 8X 20 PLATED	2	2	2	2			
20	.	129001-42040	JOINT	1	1	1	1			
21	.	24321-000300	O-RING G30	1	1	1	1			
21- 1	.	129486-42140	O-RING, CW-P	1	1	1	1			N
		(A=E43947) (B=E45102) (C=E44375) (D=E43758)								
22	.	26106-080162	BOLT M 8X 16 PLATED	3	3	3	3			
23	.	129100-42020	GASKET, C.W. PUMP	1	1	1	1			
23- 1	.	129486-42021	GASKET	1	1	1	1			N
		(A=E45065) (B=E45102) (C=E45857) (D=E44618)								
24	.	25132-003700	V-BELT A37	1		1				(1)
25	.	25132-003800	V-BELT (A-38)	1	1	1	1			
26	.	129403-42380	V-PULLEY (D=110)	1		1				
27	.	129155-42350	V-PULLEY, C.W. PUMP		1		1			
28	.	129403-44740	FAN, COOLING (D=370)	1	1	1	1			
29	.	121267-44741	FAN, COOLING (D=360)				1			(2)
30	.	121267-44760	SPACER	1	1	1	1			
31	.	26106-060302	BOLT M 6X 30 PLATED	4	4	4	4			
32	.	26014-060302	BOLT W/WASHER 6X 30				4			(2)
33	.	121550-49111	JOINT PT1/4	1	1	1	1			
34	.	121450-42450	PLUG M16	1	1	1	1			
35	.	121250-44901	SWITCH, THERMO(110°C	1	1	1	1			
36	.	124465-44950	GASKET 16	1	1	1	1			
37	.	124465-44950	GASKET 16	1	1	1	1			
38	.	124250-49351	THERMOMETER	1	1	1	1			(3)
39	.	129150-49360	GASKET 10	1	1	1	1			(3)

REMARKS

(1) FOR(SA04)(ESA04).
 (2) FOR(EG1A03).
 (3) FOR PANEL(METER).

12. RADIATOR



(12) RADIATOR

(A)=4TNE88-SA (D)=4TNE88-EG1A
 (B)=4TNE88-G1A01(E)=
 (C)=4TNE88-ESA (F)=

REF. NO.	LEV. 0	PART NO.	DESCRIPTION	-----Q'TY-----						I P/U A R
				(A)	(B)	(C)	(D)	(E)	(F)	
1	.	129188-08100	BRACKET (A), ENGINE	2	2	2	2			
2	.	119888-08110	BRACKET (B), ENGINE	2	2	2	2			
3	.	26106-100202	BOLT M10X 20 PLATED	8	8	8	8			
4	.	129422-44500	RADIATOR	1		1				
5	..	123682-44210	CAP	1		1				
6	.	129420-44560	PROTECTOR, FAN	1	1	1	1			
7	.	121400-44650	ABSORBER, SHOCK	2	2	2	2			
8	.	129488-44940	STAY, RADIATOR	1		1				
9	.	129608-44940	SUPPORT, RADIATOR		1		1			
10	.	129608-44950-1	BRACKET (A) (25)	2		2				
11	.	129188-44950	BRACKET (A)		2		2			
12	.	129488-44960	BRACKET (B), RADIATOR	1	1	1	1			
13	.	129488-44971-2	BRACKET (L) (25)	1	1	1	1			
14	.	129488-44981-2	BRACKET (R) (25)	1	1	1	1			
15	.	22137-080000	WASHER 8, POLISHED	2	2	2	2			
16	.	22217-100000	SPRING WASHER 10	2	2	2	2			
17	.	26106-080122	BOLT M 8X 12 PLATED	6	6	6	6			
18	.	26106-080162	BOLT M 8X 16 PLATED	2	2	2	2			
19	.	26106-080202	BOLT M 8X 20 PLATED	4	4	4	4			
20	.	26106-080252	BOLT M 8X 25 PLATED	8	8	8	8			
21	.	26106-100302	BOLT M10X 30 PLATED	8	8	8	8			
22	.	26366-080002	NUT M 8	6	6	6	6			
23	.	26716-100002	NUT 10	4	4	4	4			
24	.	26756-100002	LOCK NUT M10 PLATED	2	2	2	2			
25	.	124450-44510	SUB-TANK ASSY	1	1	1	1			
27	..	124450-44530	CAP	1	1	1	1			
28	..	124450-44560	CLAMP	1	1	1	1			
29	..	23061-070230	PIPE 7X 230	1	1	1	1			
30	.	124450-44550	CLAMP, SUB-TANK	1	1	1	1			
31	.	121256-44600	BRACKET, SUB-TANK	1	1	1	1			
32	.	171420-49010	PIPE (A), C. WATER		1		1			
33	.	171440-49010	PIPE (A), C. WATER	1		1				
34	.	171420-49020	PIPE (B), C. WATER	1	1	1	1			
35	.	23010-038000	CLAMP 38	4	4	4	4			
36	..	129150-49100	COCK ASSY, 3-WAY	1	1	1	1			
37	..	129150-49080	COCK, DRAIN	1	1	1	1			
41	.	26106-080162	BOLT M 8X 16 PLATED	1	1	1	1			
42	.	129420-44500	RADIATOR		1		1			
43	..	119259-44570	CAP, RADIATOR		1		1			
45	..	129132-44530	HOSE, C.WATER		1		1			
46	..	129420-44550	SHROUD COMPL.		1		1			
47	..	121250-44590	CLAMP		2		2			
48	..	26014-060122	BOLT M 6X 12		4		4			
49	.	119623-49100	PIPE, C.W.	1	1	1	1			
51	..	124766-59050	CLAMP 12	2	2	2	2			
52	.	129609-49100	CW-T	1	1	1	1			
54	..	124766-59050	CLAMP 12	2	2	2	2			
55	.	121750-59890	CLAMP 140	1	1	1	1			

0331205185

mase

27 MAG. 2003

Araush

MONOBRACKET**3TNE**

129219 - 44971	monobacket	
129219 - 44941	tirante sx	1
129219 - 44951	tirante dx	1
160120 - 76940	rondella M6	1
22137 - 080000	rondella M8	2
26106 - 060142	bullone M6x14	2
26106 - 080162	bullone M8x16	2
		2

4TNE

129619 - 44971-25	monobacket	
129619 - 44941	tirante sx	1
129619 - 44951	tirante dx	1
160120 - 76940	rondella M6	1
22137 - 080000	rondella M8	2
26106 - 060142	bullone M6x14	2
26106 - 080202	bullone M8x20	2
26106 - 080162	bullone M8x16	1
		1

X Magnani



YANMAR

YANMAR CAGIVA S.P.A.

ESPLOSO ASSIEME / ASSY DETAILS

Disegno / Basic List

D29619 - 93150

Creata / Created

24/03/00

Approvato / Updated

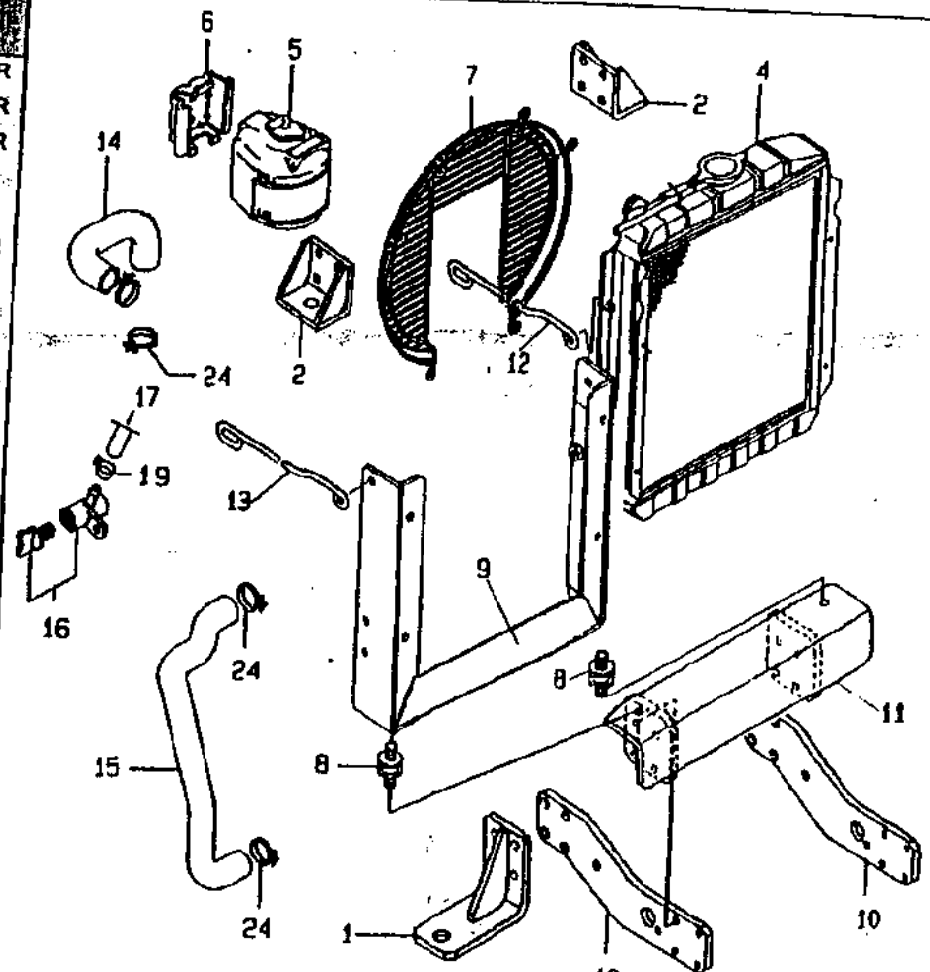
19/01/01

Disegno Nr. / Drawing Nr.

Descrizione / Description

ASSIEME RADIATORE 4TNE84/88

Q.TA	REF. PART.	DESCRIZIONE	UNITA'	UNITA'
1	129188 - 08100	1 STAFFA (A) MOTORE ANTERIORE	2	NR
2	119888 - 08110	1 STAFFA (B) MOTORE POSTERIORE	2	NR
3	129400 - 13201	1 GUARNIZIONE SCARICO 4TNE84/88	1	NR
4	129420 - 44500	1 RADIATORE 4TNE84/88	1	NR
5	120445 - 44530	1 VASCHETTA DI ESPANSIONE	1	NR
6	120445 - 44540	1 STAFFA VASCHETTA ESPANSIONE	1	NR
7	129420 - 44560	1 GRIGLIA RADIATORE	1	NR
8	121400 - 44650	1 ANTIVIBRANTE	2	NR
9	129619 - 44971	1 MONOBRAKET 4 TNE	1	NR
10	129188 - 44950	1 STAFFA (A) RADIATORE (ANTERIORE)	2	NR
11	129488 - 44960	1 SUPPORTO RADIATORE	1	NR
12	129619 - 44951	1 TIRANTE SUPPORTO RADIATORE 4TNE dest	1	NR
13	129619 - 44941	1 TIRANTE SUPPORTO RADIATORE 4TNE sinis	1	NR
14	171420 - 49010	1 MANICOTTO (A) RADIATORE	1	NR
15	171420 - 49020	1 MANICOTTO (B) RADIATORE	1	NR
16	129550 - 49100	1 RUBINETTO DI DRENAGGIO 2 VIE	1	NR
17	121520 - 49160	1 TUBO DI DRENAGGIO	125	MM
18	121850 - 55800	1 SEPARATORE ACQUA	1	NR
19	124766 - 59050	1 FASCETTA	4	NR
20	119643 - 66900	1 DIODO	1	NR
21	119650 - 77910	1 RELAY PER SOLENOIDE	1	NR
22	129100 - 77910	1 RELAY DI SICUREZZA	1	NR
23	119632 - 77920	1 TIMER 1 SEC.	1	NR
24	23010 - 038000	1 FASCETTA 38	4	NR



P. 04/05

10:47

27 Mag '03

0331205185

YANMAR CAGIVA S.P.A. Fax: 0331205185



YANMAR

YANMAR CAGIVA S.P.A.

ESPLOSO ASSIEME / ASSY DETAILS

Design / Basic List

D14299 - 81010

Creato / Created

19/01/01

Aggiornato / Updated

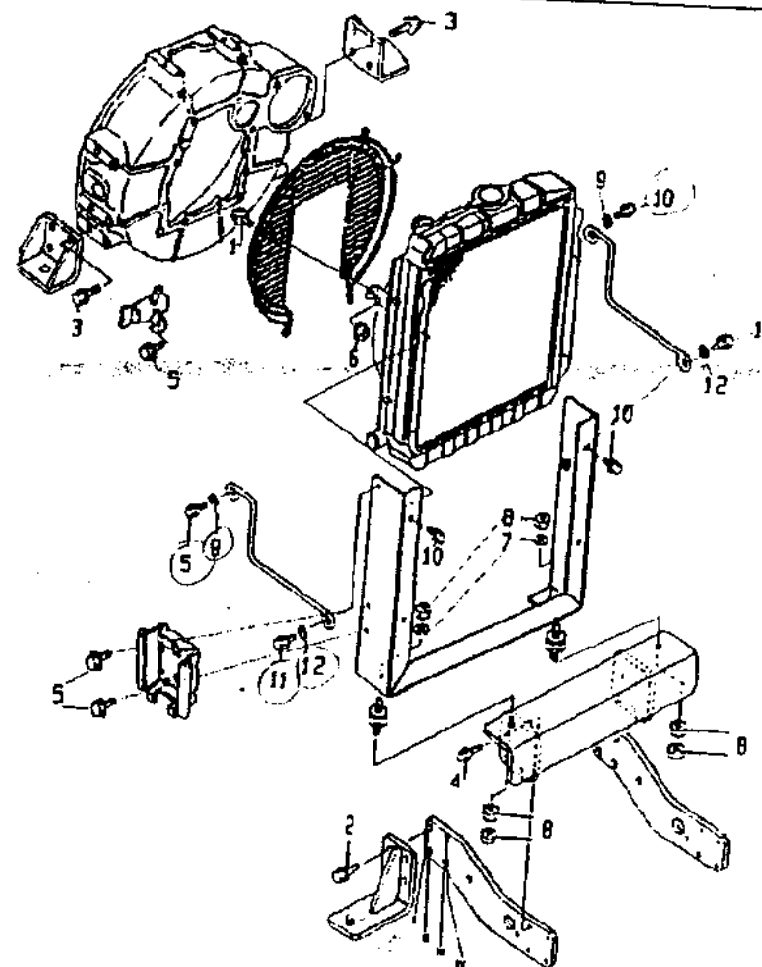
19/01/01

Disegno Nr. / Drawing Nr.

Descrizione / Description

ASS. BULLONI MONTAGGIO RADIATORE 4TNE (MONOBRACKET)

NO.	Descrizione / Code	Q. in / Qty	U.M.
1	26106 - 080162	1	BULLONE FLANGIATO M8 x 16
2	26106 - 100302	6	NR
3	26106 - 100202	8	NR
4	26106 - 080252	8	BULLONE FLANGIATO M10X20
5	26106 - 080162	8	NR
6	26366 - 080002	4	NR
7	22217 - 100000	6	NR
8	26716 - 100002	2	NR
	22137 - 080000	6	NR
	26106 - 080202	2	NR
	26106 - 060142	5	NR
	160120 - 76940	2	NR
		2	NR
		2	NR
		2	NR



P. 05/05

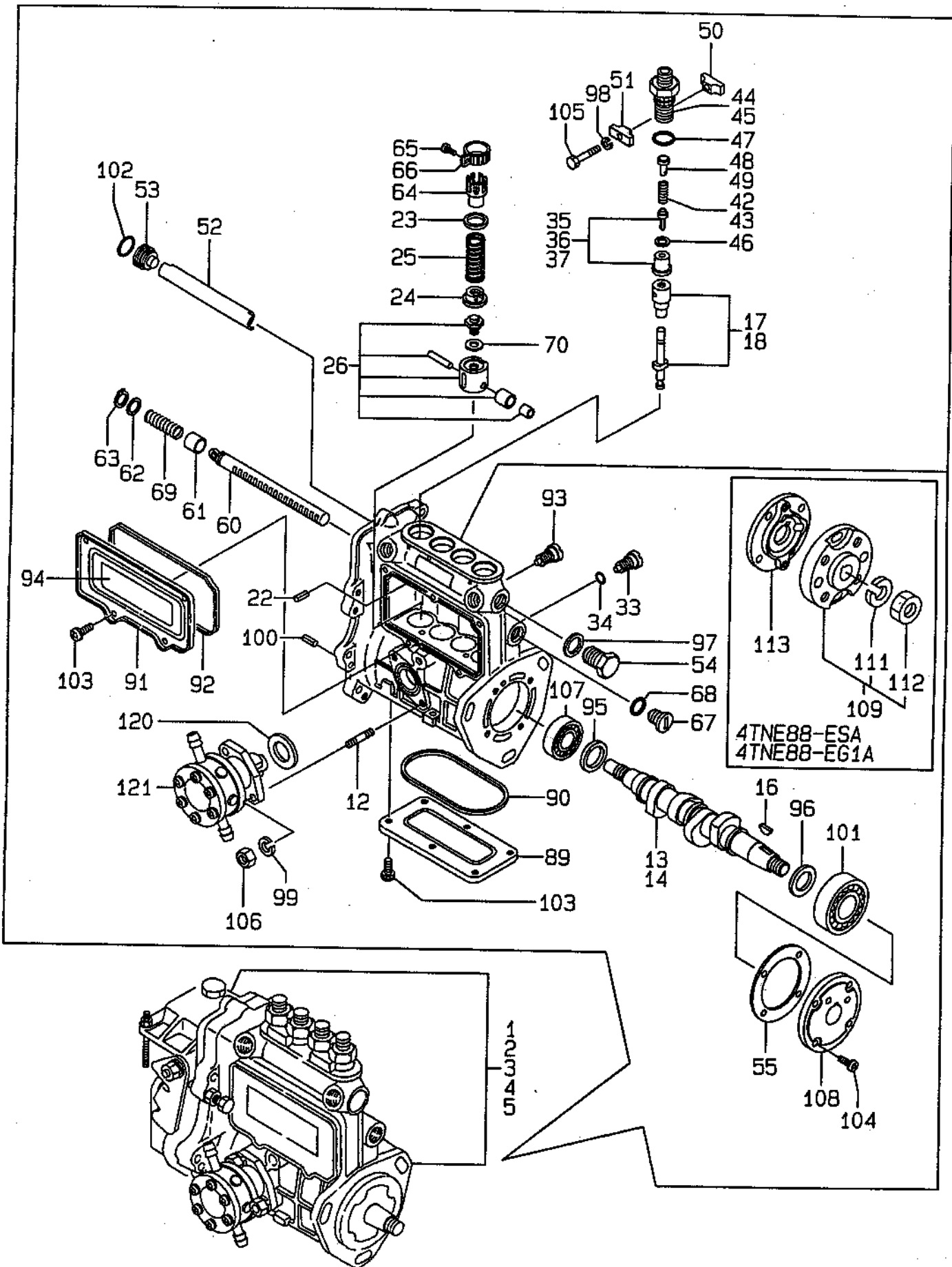
10:48

27 Mag '03

0331205185

YANMAR CAGIVA S.P.A. fax:0331205185

13. FUEL INJECTION PUMP



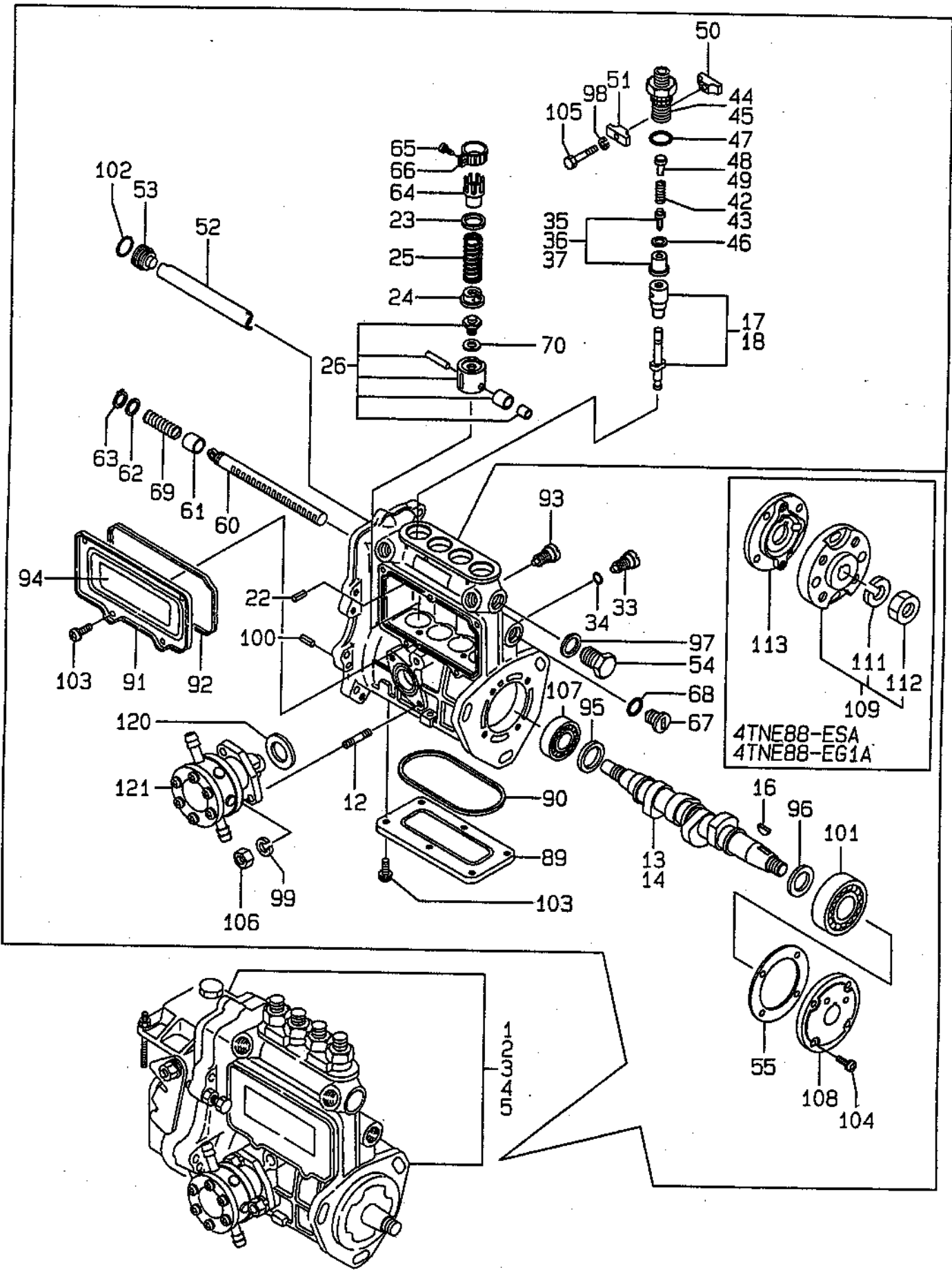
(13) FUEL INJECTION PUMP

1A14
1A01
Y00R5200

(A)=4TNE88-SA (D)=4TNE88-EG1A
(B)=4TNE88-G1A01 (E)=
(C)=4TNE88-ESA (F)=

REF. NO.	LEV. 0	PART NO.	DESCRIPTION	-----Q'TY-----						I P/U A R
				(A)	(B)	(C)	(D)	(E)	(F)	
1	.	729609-51350	PUMP ASSY, F.INJECT.	1						(1)
2	.	729619-51310	PUMP W/GOV.& F.PUMP		1					(1)
3	.	729609-51450	PUMP ASSY, F.INJECT			1				(1)
4	.	729609-51459	PUMP ASSY, F.INJECT			1				(2)
5	.	729609-51490	PUMP ASSY, F.INJECT				1			(1)
12	..	129155-51020	STUD, FEED PUMP	2	2	2	2			
13	..	129470-51040	CAMSHAFT	1	1		1			
14	..	129506-51040	CAMSHAFT			1				
16	..	122710-51090	KEY	1	1	1	1			
17	..	129470-51101	PLUNGER W/BARREL	4		4				
18	..	129506-51100	PLUNGER W/BARREL		4		4			
22	..	129155-51140	PIN, BARREL LOCKING	4	4	4	4			
23	..	174307-51170	RETAINER A	4	4	4	4			
24	..	129155-51180	SPRING SHOE, PLUNGER	4	4	4	4			
25	..	124950-51190	SPRING, PLUNGER	4	4	4	4			
26	..	129155-51200	TAPPET ASSY	4	4	4	4			
33	..	129155-51270	LOCKING, TAPPET	4	4	4	4			
34	..	129155-51280	O-RING S6	4	4	4	4			
35	..	129505-51300	VALVE W/SEAT, DELIV.	4						
36	..	129100-51300	VALVE W/SEAT, DELIV.		4		4			
37	..	129209-51300	VALVE ASSY			4				
42	..	129155-51320	SPRING, DELIV. VALVE	4	4		4			
43	..	129573-51330	SPRING, DELY. VALVE			4				
44	..	129155-51340	GUARD, DELIVERY VALVE	4	4		4			
45	..	129573-51340	GUARD, DELY. VALVE			4				
46	..	124550-51350	GASKET, DELIVERY	4	4	4	4			
47	..	124550-51370	O-RING, DELIVERY	4	4	4	4			
48	..	129155-51370	STOPPER, VALVE	4	4		4			
49	..	129573-51370	STOPPER, VALVE			4				
50	..	129155-51380	LOCKING (A)	2	2	2	2			
51	..	129155-51390	LOCKING (B)	2	2	2	2			
52	..	129555-51400	DEFLECTER	1	1	1	1			
53	..	129155-51410	CHECK BOLT, DEFLECTOR	1	1	1	1			
54	..	129155-51420	PLUG (M16)	1	1	1	1			
55	..	129155-51450	SHIM SET, ADJUSTING	1	1	1	1			
60	..	129555-51500	RACK, CONTROL	1	1	1	1			
61	..	129155-51521	BUSH, RACK	1	1	1	1			
62	..	129155-51530	SPACER, AUX. SPRING	1	1	1	1			
63	..	129155-51540	CIRCLIP	1	1	1	1			
64	..	129155-51550	PINION, CONTROL	4	4	4	4			
65	..	122117-51560	SCREW, PINION	4	4	4	4			
66	..	174307-51560	PINION	4	4	4	4			
67	..	129155-51570	PLUG (M12)	1	1	1	1			
68	..	129155-51580	O-RING	1	1	1	1			
69	..	129155-51591	SPRING, RACK	1	1	1	1			
70	..	129155-51600	SHIM PACK	4	4	4	4			
89	..	129555-51700	COVER	1	1	1	1			
89- 1	..	129555-51701	COVER	1	1	1	1			N
(A=E49621) (B=E51176) (C=E49343) (D=E48845)										
90	..	129555-51710	GASKET	1	1	1	1			
90- 1	..	129555-51711	GASKET	1	1	1	1			N
(A=E55515) (B=E55792) (C=E56399) (D=E56489)										
91	..	129555-51750	COVER, SIDE	1	1	1	1			

13. FUEL INJECTION PUMP



(13) FUEL INJECTION PUMP

(A)=4TNE88-SA (D)=4TNE88-EG1A
 (B)=4TNE88-G1A01(E)=
 (C)=4TNE88-ESA (F)=

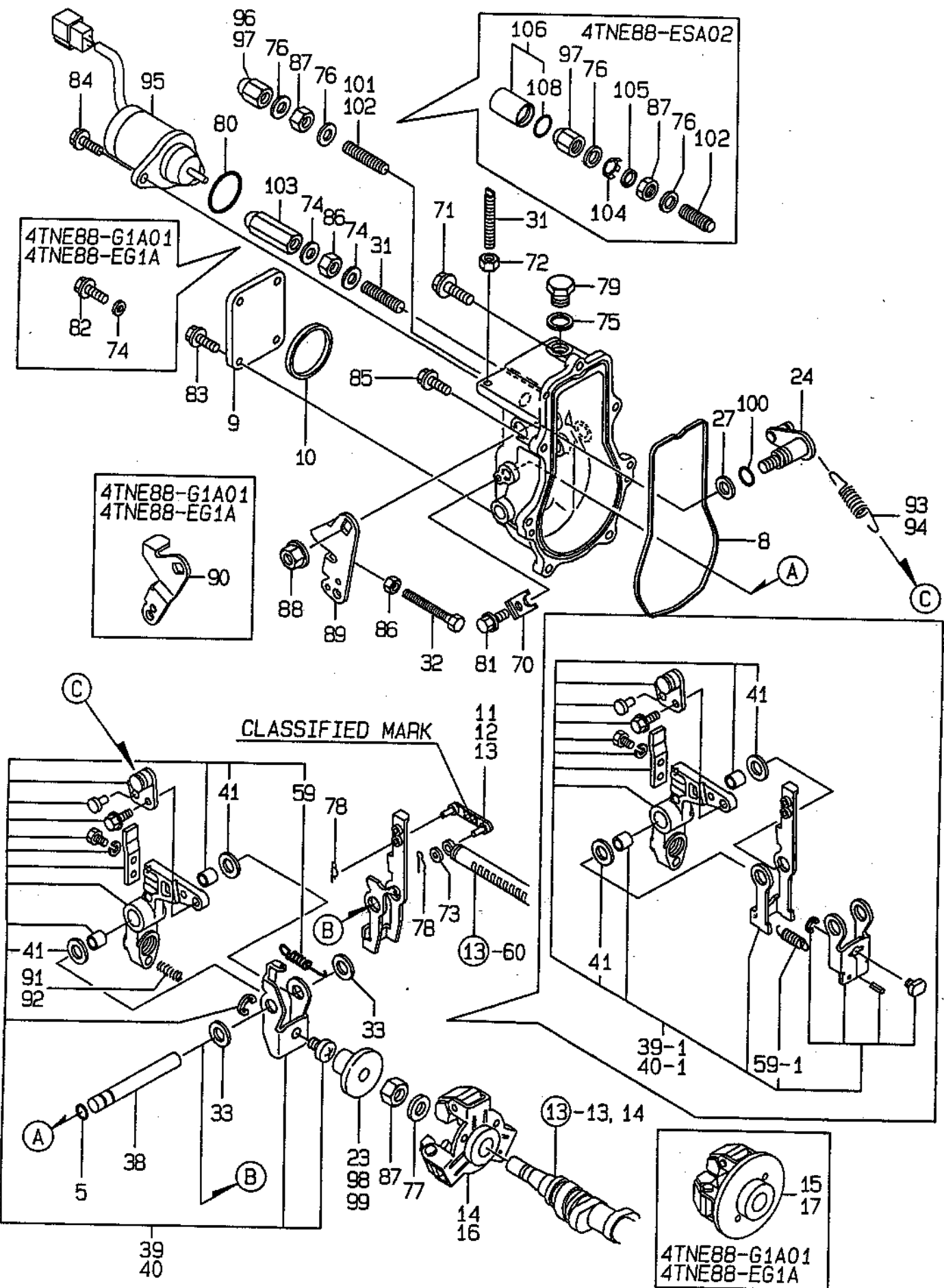
1A15 |
 (1A01)|
 Y00R5200

REF. NO.	LEV. 0	PART NO.	DESCRIPTION	Q'TY						I P/U A R
				(A)	(B)	(C)	(D)	(E)	(F)	
91-1	..	129555-51751	COVER, SIDE	1	1	1	1			N
		(A=E49621)	(B=E51176)	(C=E49343)	(D=E48845)					
92	..	129555-51760	GASKET	1	1	1	1			
93	..	129155-51790	LOCKING, RACK	1	1	1	1			
94	..	129156-51910	LABEL, CAUTION	1	1	1	1			
95	..	129155-51930	SPACER T=3.25	1	1	1	1			
96	..	129155-51940	SPACER T=1.5	1	1	1	1			
97	..	22190-160002	SEAL WASHER 16S	1	1	1	1			
98	..	22217-050000	SPRING WASHER 5	2	2	2	2			
99	..	22217-060000	SPRING WASHER 6	2	2	2	2			
100	..	22351-050010	SPRING PIN 5X10	2	2	2	2			
101	..	24101-063034	BALL BEARING	1	1	1	1			
102	..	24341-000160	O-RING 1A S-16.0	1	1	1	1			
103	..	26022-050102	SCREW M 5X 10	11	11	11	11			
103-1	..	26022-050122	SCREW M 5X 12	11	11	11	11			N
		(A=E49621)	(B=E51176)	(C=E49343)	(D=E48845)					
104	..	26022-060162	SCREW M 6X 16	4	4	4	4			
105	..	26116-050302	BOLT M 5X 30 PLATED	2	2	2	2			
106	..	26716-060002	NUT 6	2	2	2	2			
107	..	129155-51050	BALL BEARING, THRUST	1	1	1	1			
108	..	129155-51060	CAM SHAFT SUPPORT	1	1					
109	..	129208-54500	FLANGE ASSY			1	1			
111	...	22217-120000	SPRING WASHER			1	1			
112	...	26716-120002	NUT 12			1	1			
113	..	129208-51060	SUPPORT			1	1			
120	..	129155-52050	GASKET	1	1	1	1			
121	..	129100-52100	PUMP ASSY, FUEL FEED	1	1	1	1			

REMARKS

- (1) GOVERNOR ASSY(FIG.NO.14) IS INCORPORATED IN THIS FUEL INJECTION PUMP ASSY(REF.NO.1,2,3, 5).
- (2) GOVERNOR ASSY(FIG.NO.14) IS INCORPORATED IN THIS FUEL INJECTION PUMP ASSY(REF.NO.4). FOR(ESA02).

14. GOVERNOR



(14) GOVERNOR

1A16 |
| (1A01) |(A)=4TNE88-SA (D)=4TNE88-EG1A
(B)=4TNE88-G1A01(E)=
(C)=4TNE88-ESA (F)=

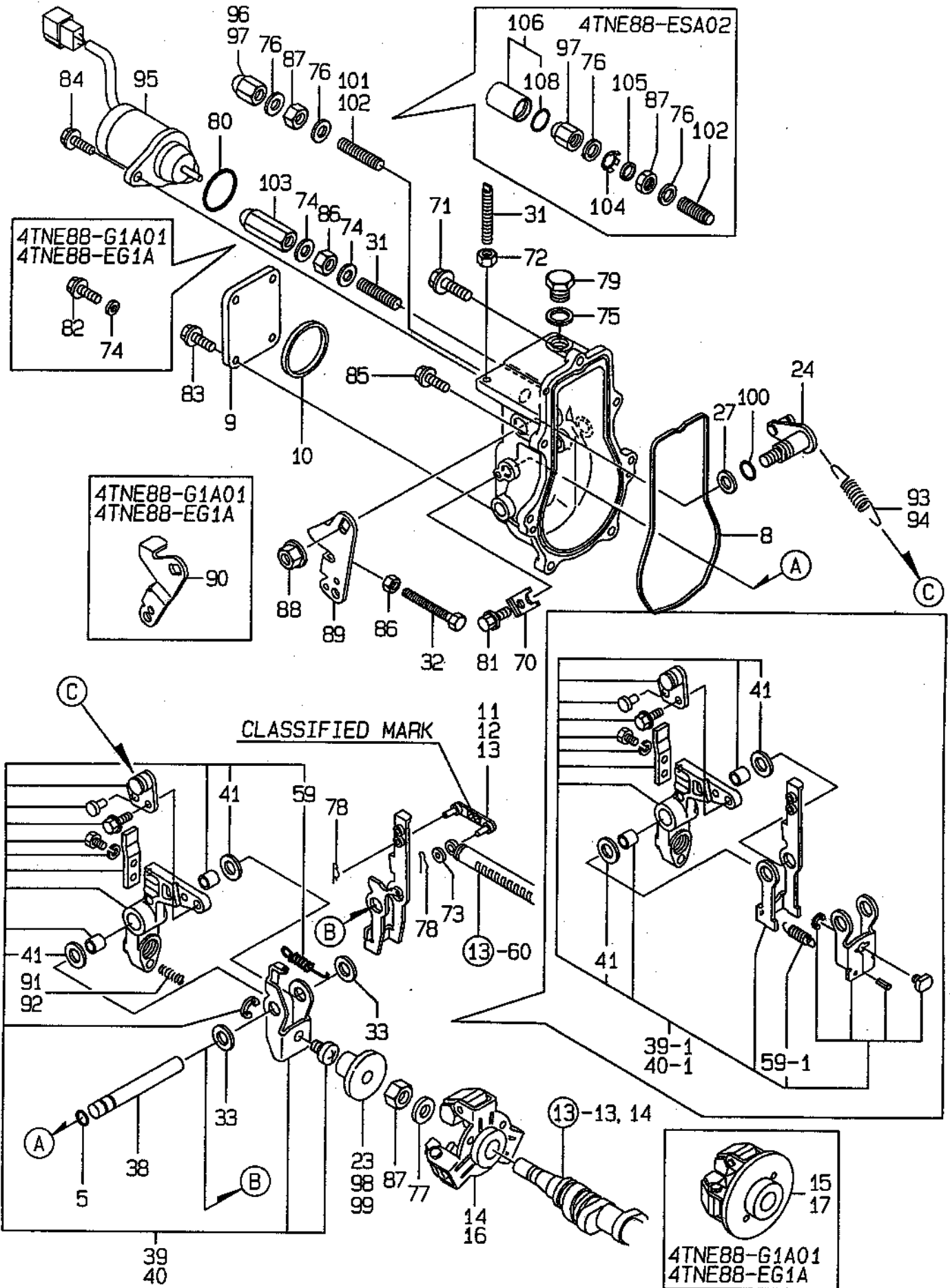
Y00R5200

REF. NO.	LEV. 0	PART NO.	DESCRIPTION	-----Q'ITY-----						I P/U A R
				(A)	(B)	(C)	(D)	(E)	(F)	
5	..	129155-51280	O-RING S6	1	1	1	1			
8	..	129052-61050	PACKING	1	1	1	1			
9	..	129052-61060	COVER	1	1	1	1			
10	..	129052-61070	PACKING	1	1	1	1			
11	..	129155-61120	LINK L=30(MARK 0	1	1	1	1			(1)
12	..	129155-61130	LINK L=31(MARK 1	1	1	1	1			(1)
13	..	129155-61140	LINK L=30.5(MARK 05)	1	1	1	1			(1)
14	..	129155-61202	WEIGHT ASSY, GOVERNOR	1						
15	..	171488-61200	WEIGHT ASSY, GOV.		1					
16	..	129486-61201	WEIGHT ASSY, GOVERNOR			1				
17	..	129618-61200	WEIGHT ASSY				1			
23	..	129155-61341	SLEEVE	1	1	1	1			(2)
24	..	129100-61400	SHAFT ASSY, CONTROL	1	1	1	1			
27	..	129155-61430	SPACER, SHAFT	1	1	1	1			
31	..	129155-61450	BOLT, REVOL. LIMIT	2	1	2	1			
32	..	129155-61460	BOLT, IDLE LIMIT	1	1	1	1			
33	..	129155-61480	SPACER ASSY	2	2	2	2			
38	..	129052-61390	SHAFT, GOV. LEVER	1	1	1	1			
39	..	129052-61500	LEVER ASSY, GOVERNOR	1		1				
39- 1	..	119908-61501	LEVER ASSY, GOVERNOR	1		1				S
		(A=E55452)	(C=E55358)							
40	..	129412-61500	LEVER ASSY, GOVERNOR		1		1			
40- 1	..	129486-61501	LEVER ASSY, GOVERNOR		1		1			S
		(B=E54763)	(D=E54764)							
41	...	174307-51700	SHIM SET	2	2	2	2			
59	...	129052-61540	SPRING	1	1	1	1			
59- 1	...	129486-61540	SPRING, SET	1	1	1	1			S
		(A=E51511)	(B=E51776)	(C=E51987)	(D=E51102)					
70	..	119660-61901	RETAINER, SHAFT	1	1	1	1			
71	..	129155-61950	BOLT, WASHER BASED	1	1	1	1			
72	..	124550-66370	LOCK NUT M 6	1	1	1	1			
73	..	22117-040000	WASHER 4	1	1	1	1			
74	..	22190-060003	WASHER, SEAL 6	2	1	2	1			
75	..	22190-100002	SEAL WASHER 10S	1	1	1	1			
76	..	22190-120002	SEAL WASHER 12	2	2	2	2			
77	..	22287-120000	WASHER 12	1	1	1	1			
78	..	22372-040000	SNAP PIN 4	2	2	2	2			
79	..	23887-100002	PLUG 10	1	1	1	1			
80	..	24341-000280	O-RING 1A S-28.0	1	1	1	1			
81	..	26106-060102	BOLT M 6X 10 PLATED	1	1	1	1			
82	..	26106-060102	BOLT M 6X 10 PLATED		1		1			
83	..	26106-060102	BOLT M 6X 10 PLATED	4	4	4	4			
84	..	26106-060142	BOLT M 6X 14 PLATED	2	2	2	2			
85	..	26106-060202	BOLT M 6X 20 PLATED	6	6	6	6			
86	..	26756-060002	LOCK NUT 6	2	1	2	1			
87	..	26776-120002	LOCK NUT M12 PLATED	2	2	2	2			
88	..	26366-080002	NUT M 8	1	1	1	1			
89	..	129100-61440	LEVER, CONTROL	1		1				
90	..	171488-61440	LEVER, CONTROL		1		1			
91	..	129100-61650	SPRING, FUEL CONTROL	1		1				
92	..	129500-61650	SPRING, FUEL CONTROL		1		1			
93	..	171353-61700	SPRING, GOVERNOR	1		1				
94	..	129477-61720	SPRING, GOVERNOR		1		1			
95	..	119653-77950	SOLENOID, STOP	1	1	1	1			

** CONTINUE **

Y129604

14. GOVERNOR



(A)=4TNE88-SA (D)=4TNE88-EG1A
 (B)=4TNE88-G1A01(E)=
 (C)=4TNE88-ESA (F)=

-----+
 | 1B01 |
 |(1A01)|
 -----+
 Y00R5200

REF. NO.	LEV. 0	PART NO.	DESCRIPTION	-----Q'ITY-----						I P/U A R
				(A)	(B)	(C)	(D)	(E)	(F)	
96	..	26687-120002	CAP NUT M12		1					
97	..	129100-61930	NUT, CAP	1		1	1			
98	..	129155-61350	SLEEVE	1	1	1	1			(2)
99	..	129155-61360	SLEEVE	1	1	1	1			(2)
100	..	129155-61830	O-RING S10	1	1	1	1			
101	..	129155-61470	BOLT, FUEL CONTROL	1	1					
102	..	120323-61470	BOLT, CONTROL			1	1			
103	..	119600-66840	NUT, CAP	1		1				
104	..	129209-61970	PLATE			1				(3)
105	..	23414-120016	GASKET 12			1				(3)
106	.	129209-61940	CASE ASSY			1				(3)
108	..	24311-000150	O-RING 1A P-15.0			1				(3)

-----+
 REMARKS -----+

- (1) SELECTIVE PARTS: CERTAIN THE CLASSIFICATION MARK, THEN PLACE YOUR ORDER.(REFER TO ILLUSTRATION).
- (2) SELECTIVE PARTS.
- (3) FOR(ESA02).
- * THIS FIGURE(GOVERNOR ASSY)IS INCORPORATED IN THE FUEL INJECTION PUMP ASSY(FIG.13).

(15) FUEL INJECTION VALVE

(A)=4TNE88-SA (D)=4TNE88-EG1A

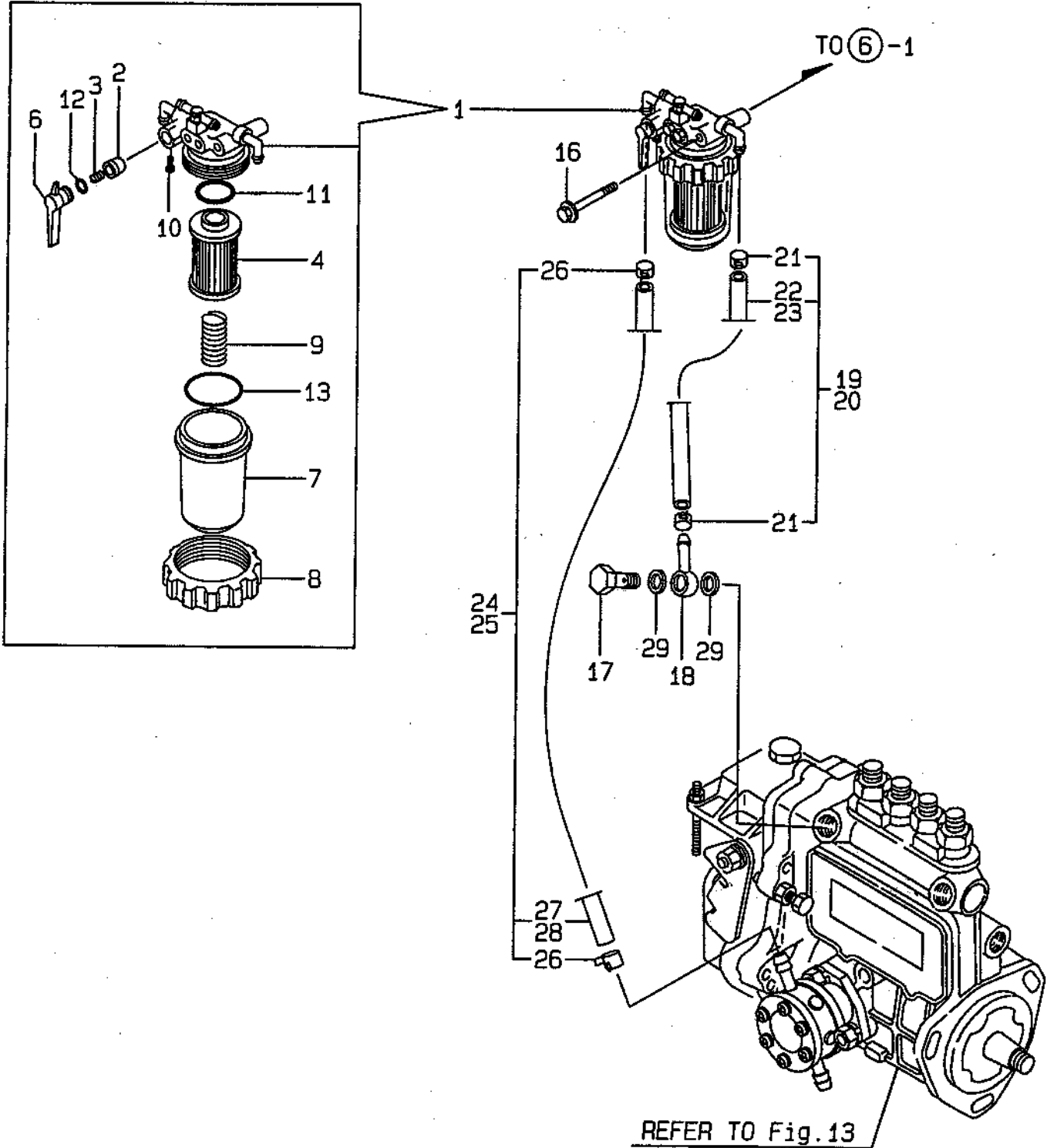
(B)=4TNE88-G1A01 (E)=

(C)=4TNE88-ESA (F)=

 +-----+
 | 1B02 |
 | (1A01) |
 +-----+
 Y00R5200

REF. NO.	LEV. 0	PART NO.	DESCRIPTION	-----Q'TY-----						I P/U A R
				(A)	(B)	(C)	(D)	(E)	(F)	
1	.	729503-53100	VALVE ASSY, F.INJECT	4						
2	.	719810-53100	VALVE ASSY, F.INJECT		4		4			
3	.	729609-53100	VALVE ASSY, F.INJECT			4				
4	..	129503-53000	NOZZLE ASSY, F.INJECT	4						
5	..	119810-53000	NOZZLE ASSY, F.INJECT		4			4		
6	..	129609-53000	NOZZLE ASSY			4				
11	..	114250-53080	NUT, NOZZLE CASE	4	4	4	4			
12	..	129100-53100	HOLDER ASSY, NOZZLE	4	4	4	4			
15	..	114250-53120	SPRING, NOZZLE	4	4	4	4			
16	..	114250-53130	SEAT, NOZZLE SPRING	4	4	4	4			
17	..	114250-53140	PLATE, STOP	4	4	4	4			
18	..	114250-53210	PIN	8	8	8	8			
19	..	114250-53400	SHIM PACK	4	4	4	4			
32	.	119305-59120	RETAINER		2			2		
35	..	129150-59131	BOLT M4X14, HEX.SCKT.		2			2		
39	.	129400-59910	PIPE, FUEL INJECTION	1		1				
40	.	129611-59911	PIPE, F.INJECT (NO.1		1					
41	.	129423-59810	PIPE, FUEL INJECTION					1		
46	.	129400-59920	PIPE, FUEL INJECTION	1		1				
47	.	129611-59921	PIPE, F.INJECT (NO.2		1					
48	.	129423-59820	PIPE, FUEL INJECTION					1		
53	.	129400-59930	PIPE, FUEL INJECTION	1		1				
54	.	129611-59930	PIPE, F.INJECT (NO.3		1					
55	.	129423-59830	PIPE, FUEL INJECTION					1		
60	.	129400-59940	PIPE, FUEL INJECTION	1		1				
61	.	129611-59940	PIPE, F.INJECT (NO.4		1					
62	.	129423-59840	PIPE, FUEL INJECTION					1		
67	.	129210-59170	PIPE ASSY, FUEL OIL	1		1				
68	.	129210-59150	PIPE ASSY, FUEL OIL		1			1		
69	..	124766-59050	CLAMP 12	2	2	2	2			
70	..	105225-59511	PIPE, FUEL OIL	1		1				
71	..	105025-59530	PIPE, FUEL (D13XL400)		1			1		
72	.	124066-59100	CLAMP 8	7	7	7	7			
73	.	121250-59550	PIPE, FUEL	3	3	3	3			
74	.	119840-59500	PIPE ASSY, RETURN	1	1	1	1			
75	..	124066-59100	CLAMP 8	2	2	2	2			
76	..	119840-59560	PIPE, FUEL RETURN	1	1	1	1			
77	.	119840-59570	JOINT	1	1	1	1			
78	.	129150-59580	CAP	1	1	1	1			
79	.	129100-59951	VALVE ASSY, CHECK	1	1	1	1			
87	.	22190-120002	SEAL WASHER 12	2	2	2	2			
88	.	129150-59120	RETAINER, INJ. PIPE	2		2				
91	..	129150-59131	BOLT M4X14, HEX.SCKT.	4		4				

16. FUEL FILTER



REFER TO Fig.13

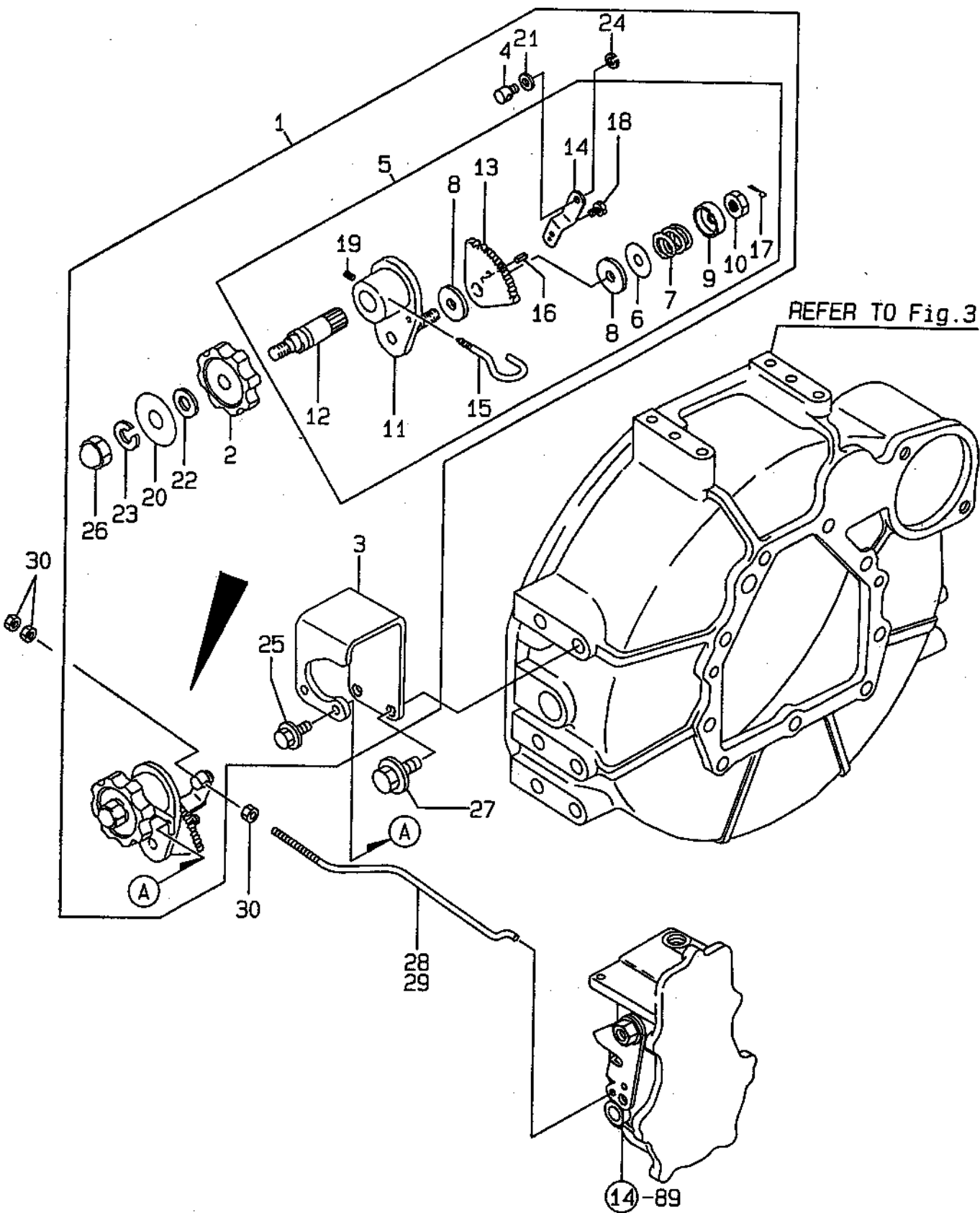
(16) FUEL FILTER

(A)=4TNE88-SA (D)=4TNE88-EG1A
 (B)=4TNE88-G1A01(E)=
 (C)=4TNE88-ESA (F)=

-----+
 | 1B03 |
 |(1A01)|
 -----+
 Y00R5200

REF. NO.	LEV. 0	PART NO.	DESCRIPTION	-----Q'TY-----						I P/U A R
				(A)	(B)	(C)	(D)	(E)	(F)	
1	.	129052-55620	STRAINER ASSY, FUEL	1	1	1	1			
2	..	104200-55321	VALVE, TAPER	1	1	1	1			
3	..	104200-55330	SPRING, TAPER VALVE	1	1	1	1			
4	..	129100-55650	ELEMENT, FUEL	1	1	1	1			
6	..	129100-55670	LEVER	1	1	1	1			
7	..	129100-55680	CUP, STRAINER	1	1	1	1			
8	..	129100-55690	RING, RETAINING	1	1	1	1			
9	..	129100-55700	SPRING	1	1	1	1			
10	..	104200-55750	SCREW M 4	1	1	1	1			
11	..	24311-000160	O-RING 1A P-16.0	1	1	1	1			
12	..	24311-240100	O-RING 1A P-10A	1	1	1	1			
13	..	24321-000650	O-RING 1A G-65.0	1	1	1	1			
16	.	26014-080702	BOLT W/WASHER M8X 70	1	1	1	1			
17	.	103854-39140	BOLT, PIPE JOINT	1	1	1	1			
18	.	101304-59020	JOINT 12, PIPE	1	1	1	1			
19	.	129210-59050	PIPE ASSY, FUEL	1		1				
20	.	129210-59040	PIPE ASSY, FUEL OIL		1		1			
21	..	124766-59050	CLAMP 12	2	2	2	2			
22	..	105312-59510	PIPE, FUEL	1		1				
23	..	129555-59510	PIPE, FUEL		1		1			
24	.	129210-59170	PIPE ASSY, FUEL OIL	1		1				
25	.	129210-59150	PIPE ASSY, FUEL OIL		1		1			
26	..	124766-59050	CLAMP 12	2	2	2	2			
27	..	105225-59511	PIPE, FUEL OIL	1		1				
28	..	105025-59530	PIPE, FUEL (D13XL400)		1		1			
29	.	22190-120002	SEAL WASHER 12	2	2	2	2			

17. ENGINE CONTROL DEVICE



(17) ENGINE CONTROL DEVICE

(A)=4TNE88-SA (D)=4TNE88-EG1A

(B)=4TNE88-G1A01(E)=

(C)=4TNE88-ESA (F)=

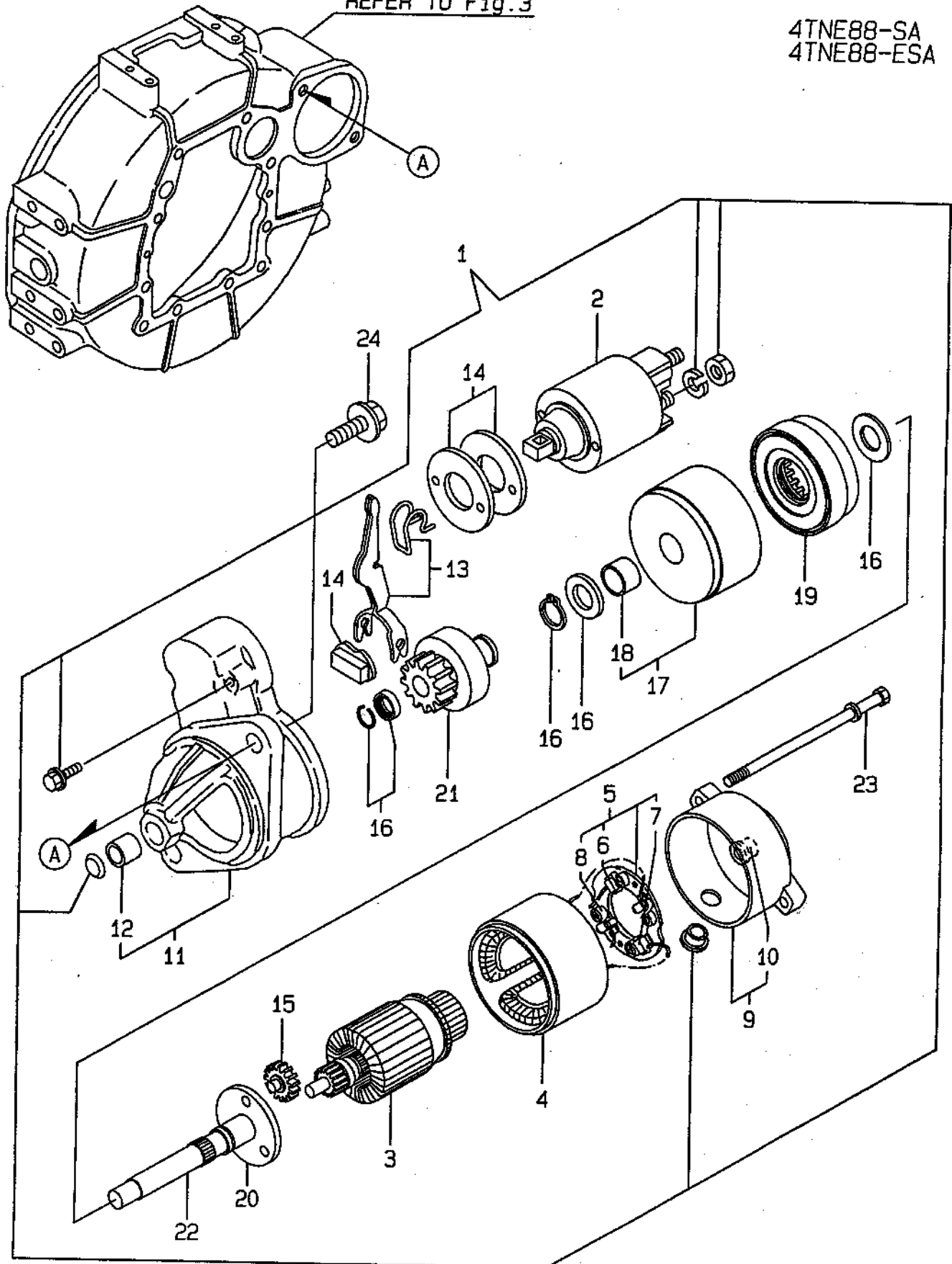
-----+
 | 1B04 |
 |(1A01)|
 -----+
 Y00R5200

REF. NO.	LEV. 0	PART NO.	DESCRIPTION	-----Q'TY----- I P/U A R					
				(A)	(B)	(C)	(D)	(E)	(F)
1	.	119888-66160	CONTROL DEVICE	1	1	1	1		
2	..	126650-66020	HANDLE, REGULATOR	1	1	1	1		
3	..	119888-66110	BRACKET	1	1	1	1		
4	..	119888-66130	PIVOT	1	1	1	1		
5	..	171048-67010	REGULATOR ASSY	1	1	1	1		
6	...	171102-66080	SPACER	1	1	1	1		
7	...	104200-66820	SPRING	1	1	1	1		
8	...	104200-66830	PLATE, FRICTION	2	2	2	2		
9	...	104200-66850	WASHER (B)	1	1	1	1		
10	...	104200-66860	NUT	1	1	1	1		
11	...	171085-67100	BRACKET, GEAR	1	1	1	1		
12	...	171085-67110	SHAFT, DRIVING	1	1	1	1		
13	...	171085-67120	GEAR	1	1	1	1		
14	...	171048-67130	LEVER	1	1	1	1		
15	...	171048-67140	STOPPER	1	1	1	1		
16	...	22351-020006	SPRING PIN 2X 6	1	1	1	1		
17	...	22411-200150	PIN 2.0* 15	1	1	1	1		
18	...	26116-060082	BOLT 6X8	1	1	1	1		
19	...	26921-050122	SCREW M 5X 12	1	1	1	1		
20	..	170064-67210	LABEL, HANDLE	1	1	1	1		
21	..	22117-060000	WASHER 6	1	1	1	1		
22	..	22137-100000	WASHER 10, POLISHED	1	1	1	1		
23	..	22217-100000	SPRING WASHER 10	1	1	1	1		
24	..	22272-000050	CIRCLIP E- 5	1	1	1	1		
25	..	26106-060102	BOLT M 6X 10 PLATED	2	2	2	2		
26	..	26657-100002	CAP NUT M10	1	1	1	1		
27	.	26106-080162	BOLT M 8X 16 PLATED	2	2	2	2		
28	.	129488-66120	LINK, GOVERNOR	1		1			
29	.	129488-66150	LINK, GOV. CONTROL		1		1		
30	.	26756-050002	LOCK NUT M 5 PLATED	3	3	3	3		

18. STARTING MOTOR

REFER TO Fig.3

4TNE88-SA
4TNE88-ESA



(18) STARTING MOTOR

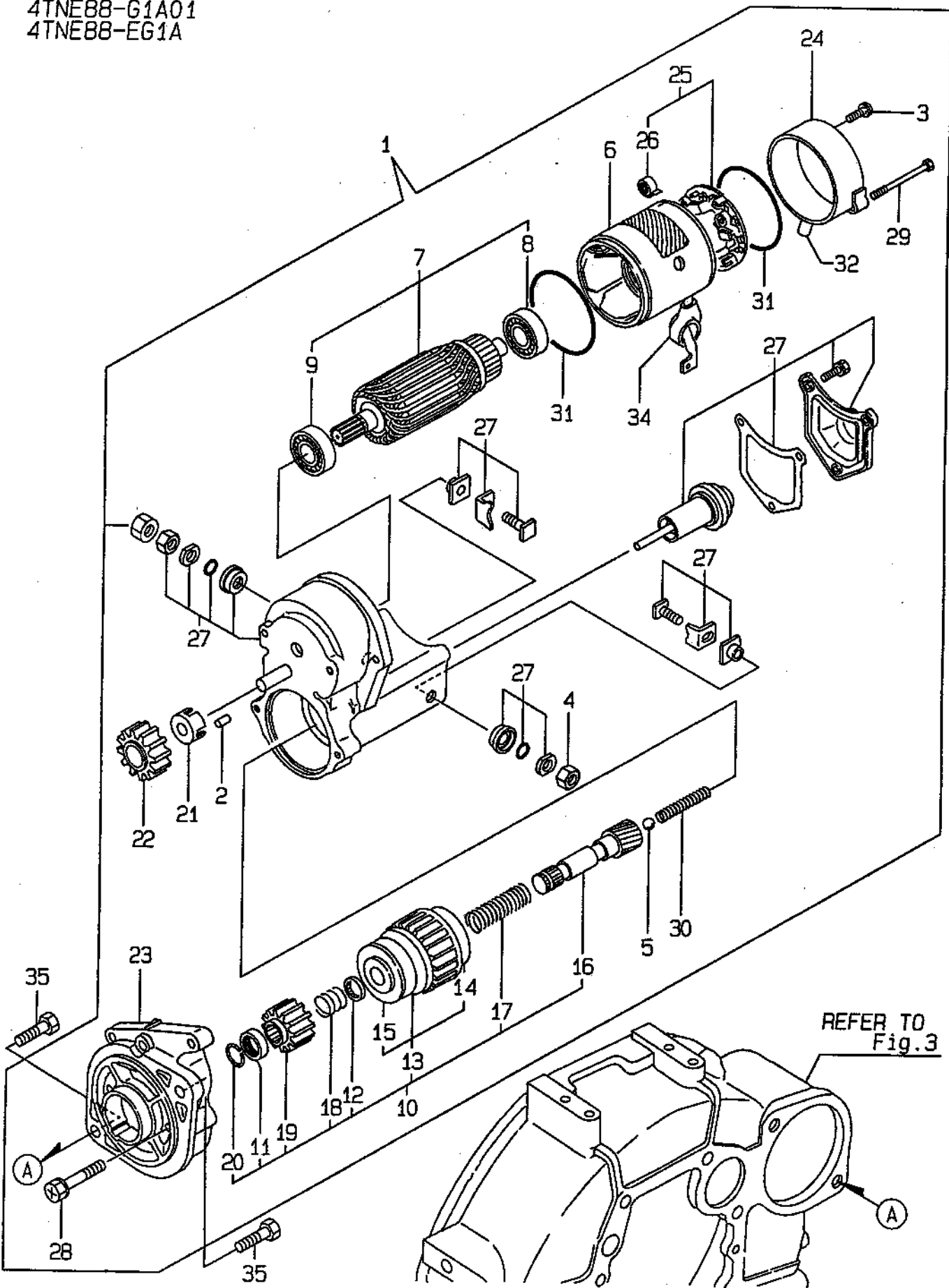
(A)=4TNE88-SA (D)=4TNE88-EG1A
 (B)=4TNE88-G1A01 (E)=
 (C)=4TNE88-ESA (F)=

| 1B05 |
 |(1A01)|
 +-----+
 Y00R5200

REF. NO.	LEV. 0	PART NO.	DESCRIPTION	-----Q'TY----- I P/U A R					
				(A)	(B)	(C)	(D)	(E)	(F)
1	.	129608-77010	STARTNG MOTOR	1	1				
2	..	129698-77020	MAGNETIC SWITCH ASSY	1	1				
3	..	129698-77100	ARMATURE ASSY	1	1				
4	..	129608-77110	YOKE ASSY	1	1				
5	..	129698-77120	HOLDER ASSY, BRUSH	1	1				
6	...	129698-77140	BRUSH(+) SET	1	1				
7	...	129698-77130	BRUSH (-)	2	2				
8	...	129698-77150	SPRING, BRUSH	4	4				
9	..	129698-77160	COVER ASSY, REAR	1	1				
10	...	129698-77170	REAR COVER METAL	1	1				
11	..	129698-77260	HOUSING ASSY, GEARS	1	1				
12	...	X2114535200	METAL, STARTER	1	1				
13	..	129698-77270	LEVER, SHIFT	1	1				
14	..	129698-77280	COVER ASSY, DUST	1	1				
15	..	129698-77240	GEAR	3	3				
16	..	129698-77250	WASHER SET	1	1				
17	..	129698-77180	BRACKET	1	1				
18	...	129698-77190	BRACKET	1	1				
19	..	129698-77200	INTERNAL GEAR	1	1				
20	..	129698-77210	BRACKET	1	1				
21	..	129698-77220	PINION ASSY	1	1				
22	..	129698-77230	SHAFT(PINION	1	1				
23	..	124195-77770	THROUGH BOLT	2	2				
24	.	26116-120252	BOLT M12X 25 PLATED	2	2				

19. STARTING MOTOR

4TNE88-G1A01
4TNE88-EG1A



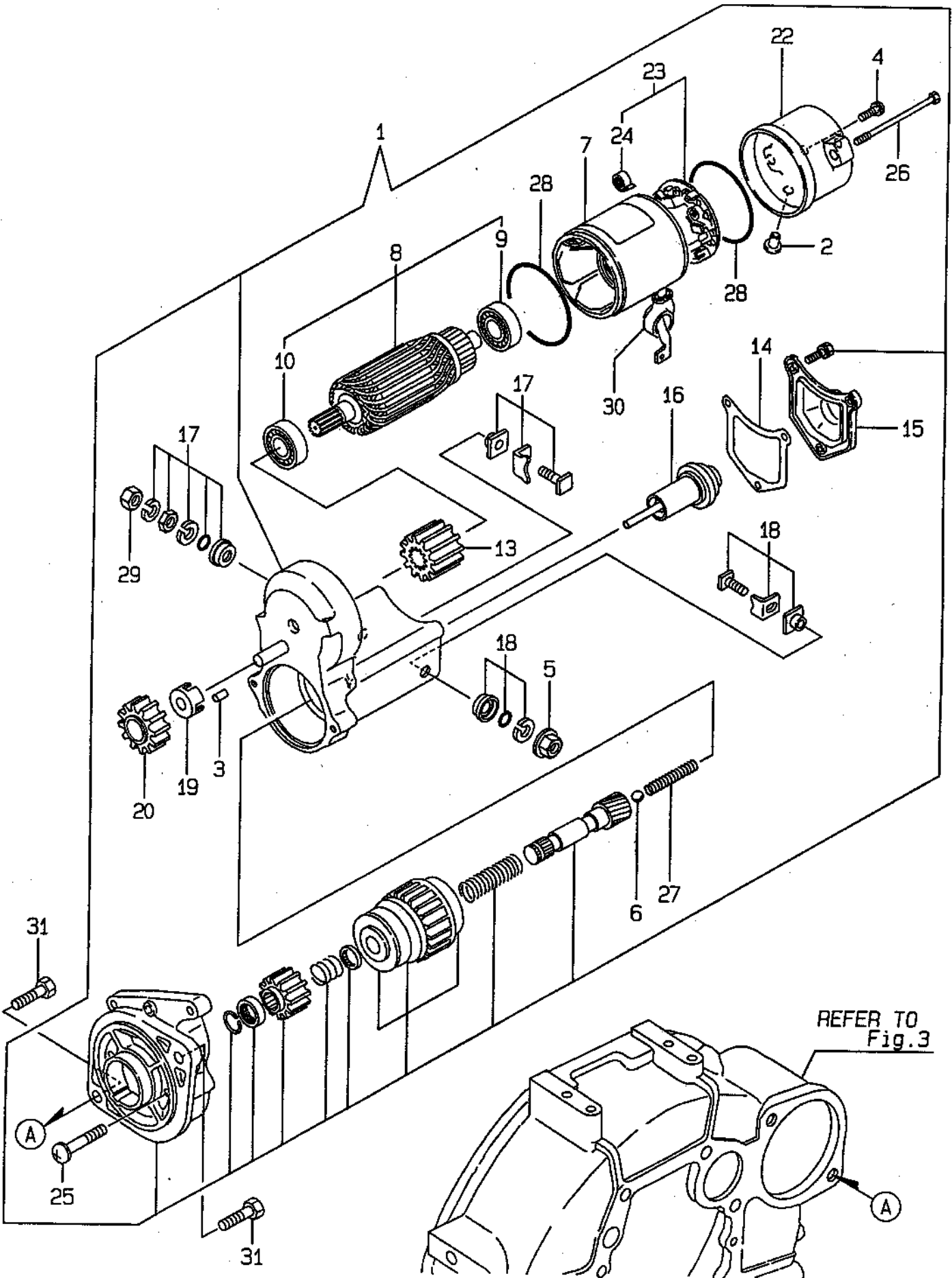
(19) STARTING MOTOR

(A)=4TNE88-SA (D)=4TNE88-EG1A
 (B)=4TNE88-G1A01(E)=
 (C)=4TNE88-ESA (F)=

+-----+
 | 1B06 |
 |(1A01)|
 +-----+
 Y00R5200

REF. NO.	LEV. 0	PART NO.	DESCRIPTION	-----Q'ITY----- I P/U A R						
				(A)	(B)	(C)	(D)	(E)	(F)	
1	.	129407-77010	STARTER ASSY		1		1			
2	..	X0283060061	ROLLER		5		5			
3	..	129129-77460	SCREW		2		2			
4	..	X9490561370	NUT		1		1			
5	..	X9491200240	BALL		1		1			
6	..	129407-77210	YOKE		1		1			
7	..	129407-77220	ARMATURE ASSY		1		1			
8	129129-77230	BEARING		1		1			
9	129129-77240	BEARING		1		1			
10	..	129407-77250	STARTER KIT		1		1			
11	X0280210230	NUT		1		1			
12	X0283270140	RETAINER		1		1			
13	129407-77390	CLUTCH, STARTER		1		1			
14	129129-77440	BEARING		1		1			
15	129129-77450	BEARING		1		1			
16	129129-77400	SHAFT		1		1			
17	129129-77410	SPRING, COIL		1		1			
18	129407-77410	SPRING		1		1			
19	129129-77420	PINION		1		1			
20	129129-77430	RING		1		1			
21	..	129129-77260	RETAINER		1		1			
22	..	129129-77270	PINION		1		1			
23	..	129407-77280	HOUSING		1		1			
24	..	129129-77290	FRAME		1		1			
25	..	129407-77300	HOLDER ASSY		1		1			
26	X9491730461	SPRING		4		4			
27	..	129407-77310	SWITCH ASSY		1		1			
28	..	129129-77320	BOLT		2		2			
29	..	129407-77330	BOLT, W/WASHER		2		2			
30	..	129129-77340	SPRING		1		1			
31	..	129129-77350	O-RING		2		2			
32	..	129129-77362	COVER		1		1			
34	..	129129-77380	CAP		1		1			
35	.	26116-120252	BOLT M12X 25 PLATED		2		2			

20. STARTING MOTOR (COLD DISTRICT)



(20) STARTING MOTOR(COLD DISTRICT)

(A)=4TNE88-SA (D)=4TNE88-EG1A

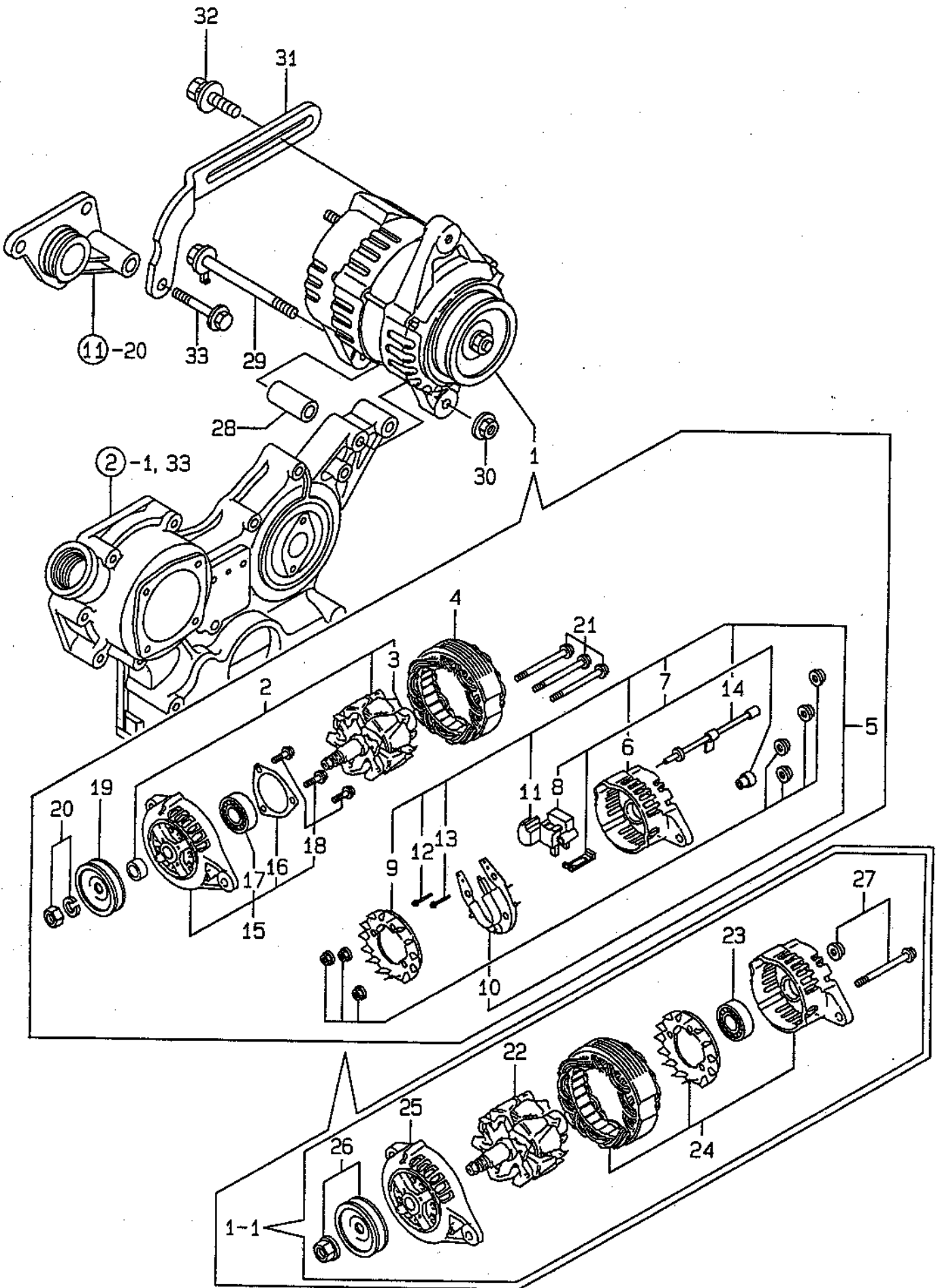
(B)=4TNE88-G1A01(E)=

(C)=4TNE88-ESA (F)=

 +-----+
 | 1B07 |
 |(1A01)|
 +-----+
 Y00R5200

REF. NO.	LEV. 0	PART NO.	DESCRIPTION	-----Q'TY-----						I P/U A R
				(A)	(B)	(C)	(D)	(E)	(F)	
1	.	129429-77011	STARTER ASSY	1	1	1	1			
2	..	129129-77362	COVER	1	1	1	1			
3	..	X0283060061	ROLLER	5	5	5	5			
4	..	129429-77310	SCREW	2	2	2	2			
5	..	X9490561370	NUT	1	1	1	1			
6	..	X9491200240	BALL	1	1	1	1			
7	..	129429-77210	YOKE	1	1	1	1			
8	..	129429-77220	ARMATURE ASSY	1	1	1	1			
9	...	129429-77230	BEARING	1	1	1	1			
10	...	129129-77240	BEARING	1	1	1	1			
13	..	129429-77250	CLUTCH ASSY,OVER RUN	1	1	1	1			
14	..	129429-77350	GASKET	1	1	1	1			
15	..	129429-77360	COVER	1	1	1	1			
16	..	129429-77370	PLUNGER	1	1	1	1			
17	..	129429-77380	STARTER KIT	1	1	1	1			
18	..	129429-77390	STARTER KIT	1	1	1	1			
19	..	129129-77260	RETAINER	1	1	1	1			
20	..	129129-77270	PINION	1	1	1	1			
22	..	129429-77270	FRAME	1	1	1	1			
23	..	129429-77280	HOLDER ASSY	1	1	1	1			
24	...	129429-77290	SPRING	4	4	4	4			
25	..	129429-77320	SCREW	2	2	2	2			
26	..	129429-77330	BOLT	2	2	2	2			
27	..	129129-77340	SPRING	1	1	1	1			
28	..	129129-77350	O-RING	2	2	2	2			
29	..	129129-77370	NUT	1	1	1	1			
30	..	129429-77340	CAP	1	1	1	1			
31	.	26116-120252	BOLT M12X 25 PLATED	2	2	2	2			

21. GENERATOR



(21) GENERATOR

(A)=4TNE88-SA (D)=4TNE88-EG1A
 (B)=4TNE88-G1A01 (E)=
 (C)=4TNE88-ESA (F)=

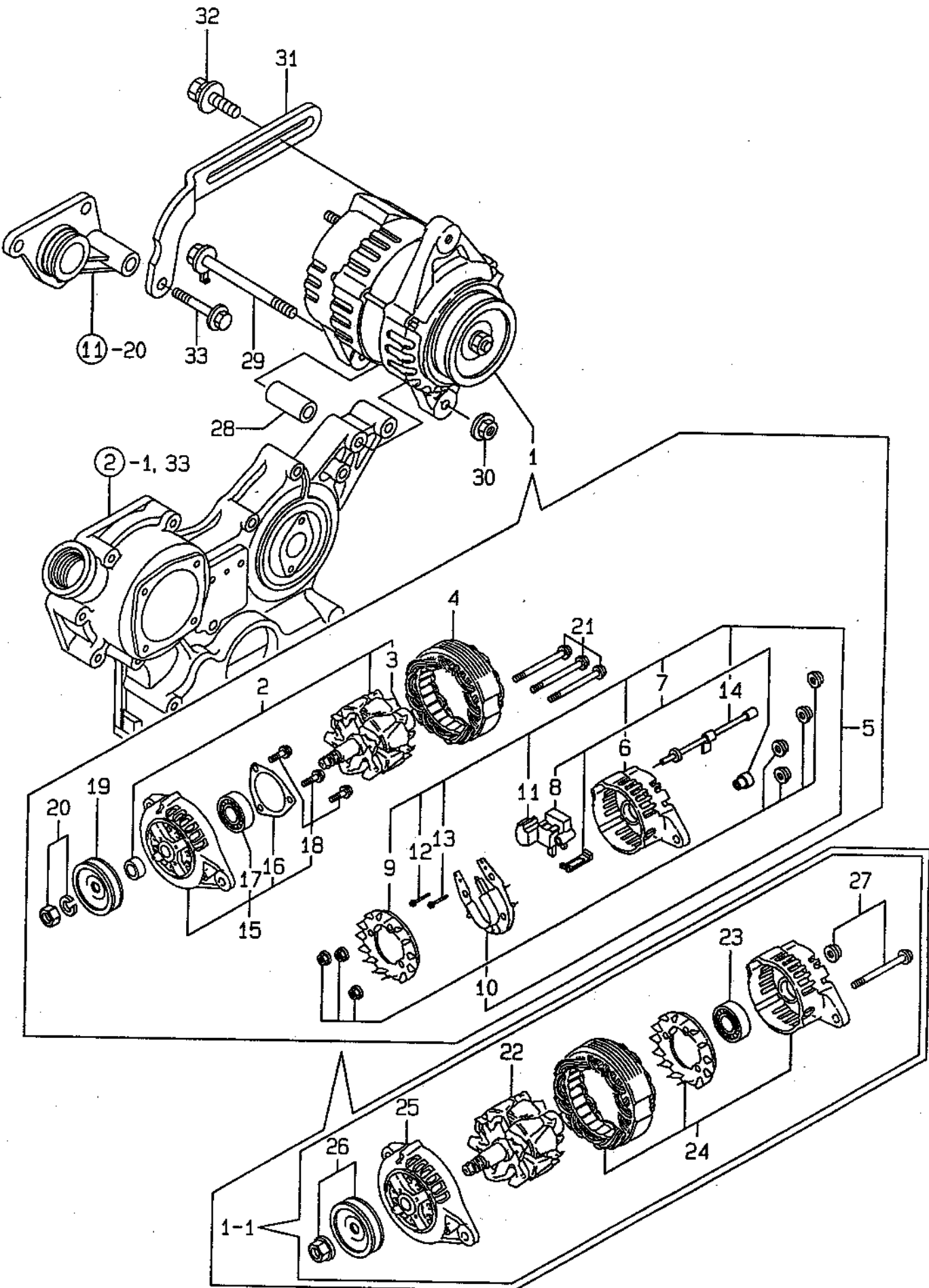
1B08
 1A01
 Y00R5200

REF. NO.	LEV. 0	PART NO.	DESCRIPTION	-----Q'TY-----						I P/U A R
				(A)	(B)	(C)	(D)	(E)	(F)	
1	.	119836-77200	GENERATOR	1	1	1	1			
1-1	.	119836-77201	GENERATOR (AC)	1	1	1	1			R
		(A=E42890)	(B=E45102)	(C=E43325)	(D=E42891)					
2	..	119836-77700	ROTOR ASSY	1	1	1	1			Z
		(A=E42890)	(B=E45102)	(C=E43325)	(D=E42891)					
3	...	119836-77850	BALL BEARING	1	1	1	1			Z
		(A=E42890)	(B=E45102)	(C=E43325)	(D=E42891)					
4	..	119836-77710	STATOR ASSY	1	1	1	1			Z
		(A=E42890)	(B=E45102)	(C=E43325)	(D=E42891)					
5	..	119836-77721	COVER ASSY, REAR	1	1	1	1			Z
		(A=E42890)	(B=E45102)	(C=E43325)	(D=E42891)					
6	...	119836-77730	COVER, REAR	1	1	1	1			Z
		(A=E42890)	(B=E45102)	(C=E43325)	(D=E42891)					
7	...	119836-77741	BRUSH ASSY, REGULATOR	1	1	1	1			Z
		(A=E42890)	(B=E45102)	(C=E43325)	(D=E42891)					
8	119836-77750	BRUSH ASSY	1	1	1	1			Z
		(A=E42890)	(B=E45102)	(C=E43325)	(D=E42891)					
9	...	119836-77760	GUIDE, FAN SIDE	1	1	1	1			Z
		(A=E42890)	(B=E45102)	(C=E43325)	(D=E42891)					
10	...	119836-77770	DIODE ASSY	1	1	1	1			Z
		(A=E42890)	(B=E45102)	(C=E43325)	(D=E42891)					
11	...	119836-77780	CONDENSER	1	1	1	1			Z
		(A=E42890)	(B=E45102)	(C=E43325)	(D=E42891)					
12	...	119836-77871	BOLT (1)	1	1	1	1			Z
		(A=E42890)	(B=E45102)	(C=E43325)	(D=E42891)					
13	...	119836-77880	BOLT (2)	1	1	1	1			Z
		(A=E42890)	(B=E45102)	(C=E43325)	(D=E42891)					
14	...	119836-77890	WIRE ASSY, LEAD	1	1	1	1			Z
		(A=E42890)	(B=E45102)	(C=E43325)	(D=E42891)					
15	..	119836-77790	COVER ASSY, FRONT	1	1	1	1			Z
		(A=E42890)	(B=E45102)	(C=E43325)	(D=E42891)					
16	...	119836-77800	RETAINER, BEARING	1	1	1	1			Z
		(A=E42890)	(B=E45102)	(C=E43325)	(D=E42891)					
17	...	119836-77840	BALL BEARING	1	1	1	1			Z
		(A=E42890)	(B=E45102)	(C=E43325)	(D=E42891)					
18	...	119836-77860	SCREW KID	1	1	1	1			Z
		(A=E42890)	(B=E45102)	(C=E43325)	(D=E42891)					
19	..	119836-77810	PULLEY	1	1	1	1			Z
		(A=E42890)	(B=E45102)	(C=E43325)	(D=E42891)					
20	..	119836-77820	NUT ASSY, PULLEY	1	1	1	1			Z
		(A=E42890)	(B=E45102)	(C=E43325)	(D=E42891)					
21	..	119836-77830	BOLT, THROUGH	1	1	1	1			Z
		(A=E42890)	(B=E45102)	(C=E43325)	(D=E42891)					
22	..	129612-77700	ROTOR ASSY	1	1	1	1			W
		(A=E42890)	(B=E45102)	(C=E43325)	(D=E42891)					
23	..	129612-77710	BALL BEARING	1	1	1	1			W
		(A=E42890)	(B=E45102)	(C=E43325)	(D=E42891)					
24	..	119836-77920	BRACKET ASSY, REAR	1	1	1	1			W
		(A=E42890)	(B=E45102)	(C=E43325)	(D=E42891)					
25	..	129612-77730	FRONT BRACKET ASSY	1	1	1	1			W
		(A=E42890)	(B=E45102)	(C=E43325)	(D=E42891)					
26	..	129612-77740	PULLEY	1	1	1	1			W
		(A=E42890)	(B=E45102)	(C=E43325)	(D=E42891)					

** CONTINUE **

Y129611

21. GENERATOR



(21) GENERATOR

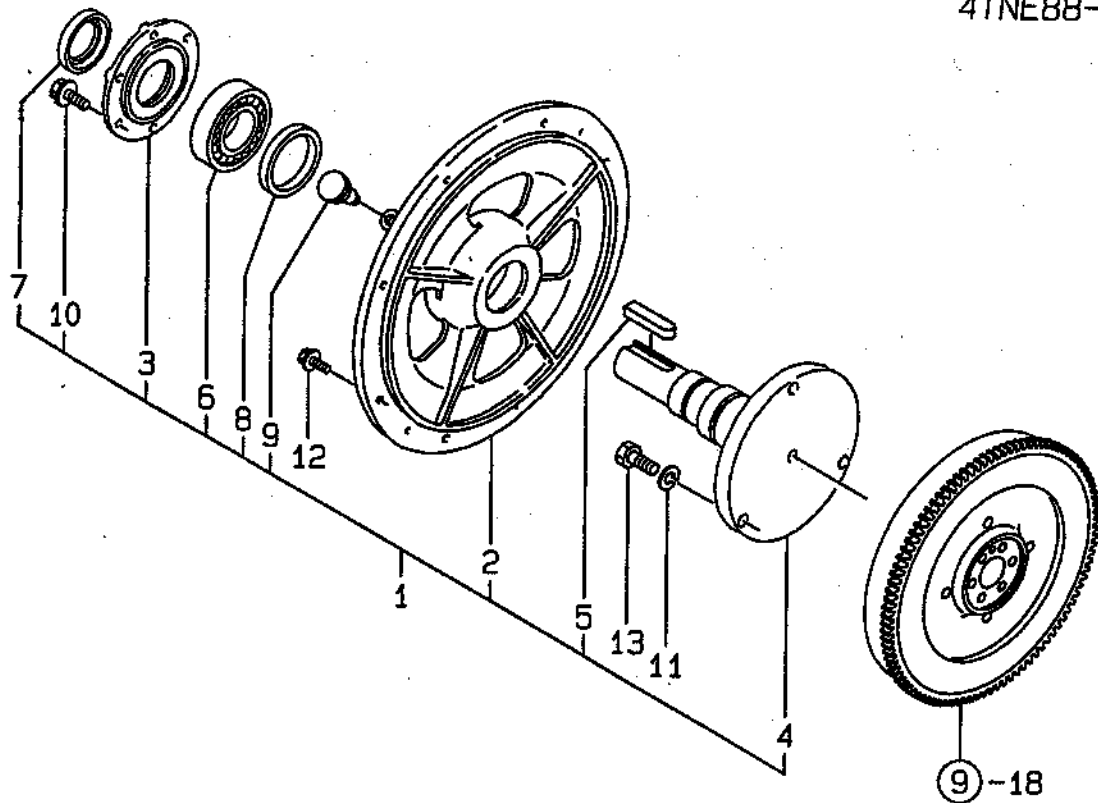
(A)=4TNE88-SA (D)=4TNE88-EG1A
 (B)=4TNE88-G1A01 (E)=
 (C)=4TNE88-ESA (F)=

+-----+
 | 1B09 |
 |(1A01)|
 +-----+
 Y00R5200

REF. NO.	LEV. 0	PART NO.	DESCRIPTION	-----Q'TY-----						I P/U A R
				(A)	(B)	(C)	(D)	(E)	(F)	
27	..	129612-77750	SCREW KIT	1	1	1	1			W
		(A=E42890)	(B=E45102)	(C=E43325)	(D=E42891)					
28	.	119820-77340	SPACER	1	1	1	1			
29	.	129136-77251	BOLT M 8X110	1	1	1	1			
30	.	129612-77260	NUT ,GENERATOR	1	1	1	1			
31	.	129100-77330	ADJUSTER	1	1	1	1			
32	.	119810-77340	BOLT	1	1	1	1			
33	.	26106-080502	BOLT M 8X 50 PLATED	1	1	1	1			

22. OUTPUT SHAFT

4TNE88-SA01
4TNE88-ESA01



(22) OUTPUT SHAFT

(A)=4TNE88-SA (D)=4TNE88-EG1A
 (B)=4TNE88-G1A01(E)=
 (C)=4TNE88-ESA (F)=

-----+
 | 1B10 |
 |(1A01)|
 -----+
 Y00R5200

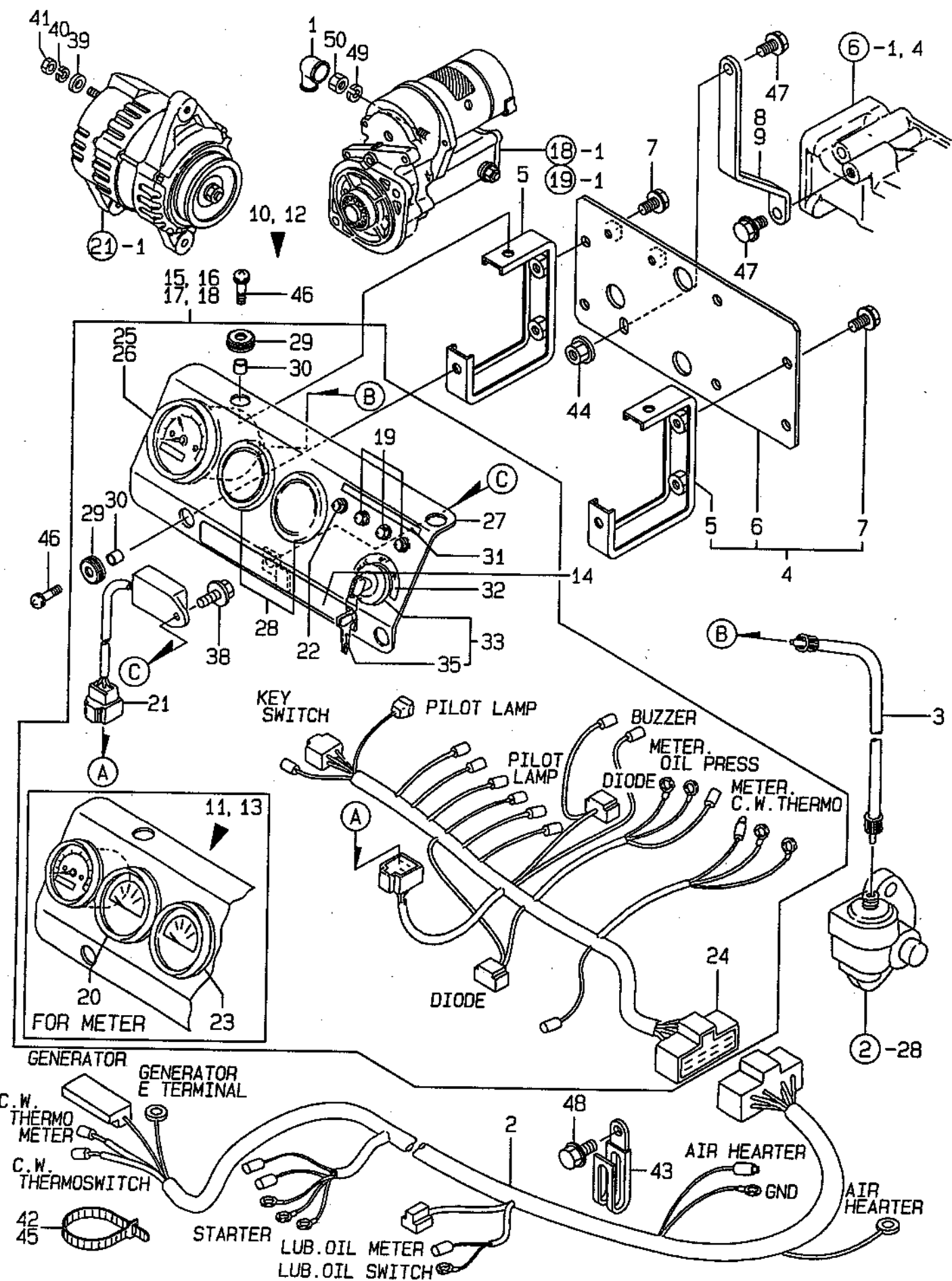
REF. NO.	LEV. 0	PART NO.	DESCRIPTION	-----Q'TY----- I P/U A R					
				(A)	(B)	(C)	(D)	(E)	(F)
1	.	119888-89100	SHAFT	1	1				
2	..	119888-89110	HOUSING, BEARING	1	1				
3	..	171048-89120	CASE, OIL SEAL	1	1				
4	..	119888-89210	SHAFT, OUTPUT	1	1				
5	..	22512-100700	KEY 10X 70	1	1				
6	..	24151-222090	ROLLER BEARING	1	1				
7	..	24421-456209	SEAL TC 456209, OIL	1	1				
8	..	24421-557209	SEAL TC55 72 09, OIL	1	1				
9	..	24754-320020	CUP 32X1/4, GREASE	1	1				
10	..	26106-080202	BOLT M 8X 20 PLATED	6	6				
11	.	22217-120000	SPRING WASHER	3	3				
12	.	26106-100222	BOLT M10X 22 PLATED	8	8				
13	.	26206-120352	BOLT M12X35	3	3				

----- REMARKS -----

|* FOR(SA01)(ESA01).

Y129612

23. PANEL



(23) PANEL

(A)=4TNE88-SA (D)=4TNE88-EG1A
 (B)=4TNE88-G1A01(E)=
 (C)=4TNE88-ESA (F)=

-----+
 | 1B11 |
 | (1A01) |
 -----+
 Y00R5200

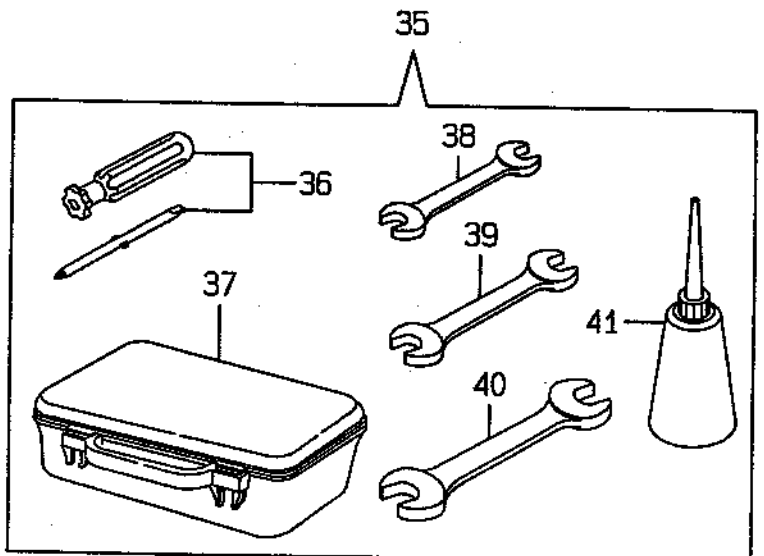
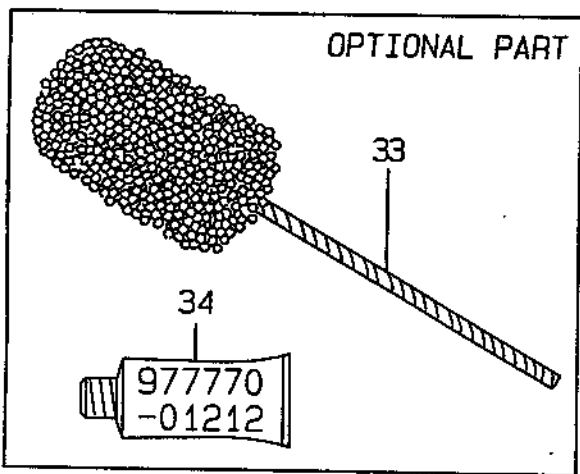
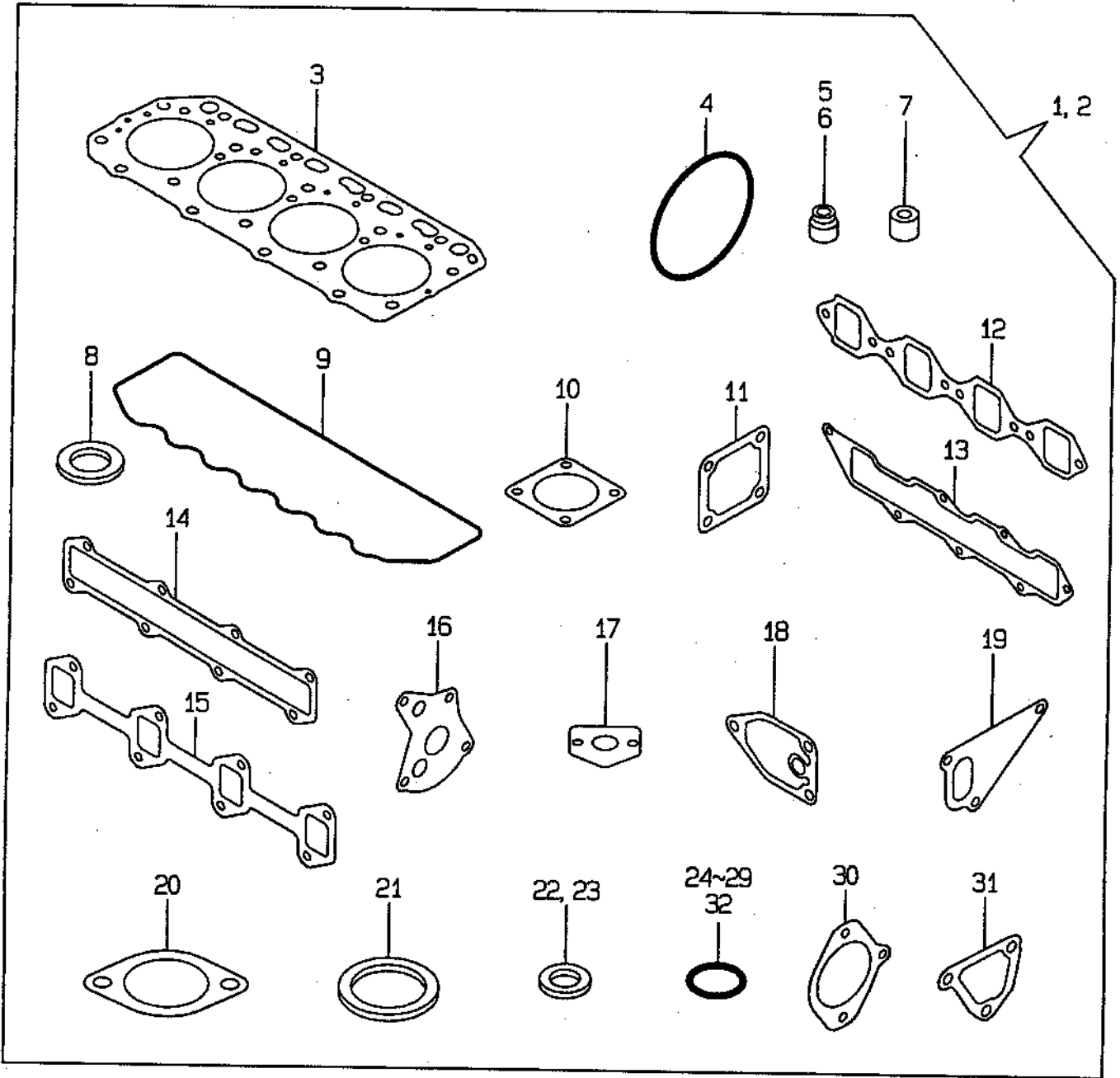
REF. NO.	LEV. 0	PART NO.	DESCRIPTION	-----Q'TY-----				I P/U A R
				(A)	(B)	(C)	(D) (E) (F)	
1	.	124550-77030	COVER, TERMINAL	1	1	1	1	
2	.	119888-91022	HARNESS(A), WIRE	1	1	1	1	
3	.	121400-91140	SHAFT, FLEXIBLE	1	1	1	1	
4	.	129608-91151	BRACKET ASSY, PANEL	1	1	1	1	
5	..	119888-91120	SUPPORT, PANEL	2	2	2	2	
6	..	129608-91132	BRACKET, PANEL	1	1	1	1	
7	..	26106-080122	BOLT M 8X 12 PLATED	4	4	4	4	
8	.	129609-91150	STAY, INSTRU. PANEL	1		1		
9	.	129609-91140	STAY, INSTRU. PANEL		1		1	
10	.	119888-91101	PANEL ASSY, INSTRUM	1		1		
11	.	119888-91201	PANEL ASSY, INSTRUM	1		1		(1)
12	.	119888-91301	PANEL ASSY, INSTRUM		1		1	
13	.	119888-91311	PANEL ASSY, INSTRUM		1		1	(1)
14	..	104507-07190	LABEL, YANMAR	1	1	1	1	
15	..	170121-91100	PANEL ASSY, INSTRUM.	1		1		
16	..	119888-91220	PANEL ASSY, INSTRUM.	1		1		(1)
17	..	119888-91320	PANEL ASSY, INSTRUM.		1		1	
18	..	119888-91330	PANEL, INSTRUMENT		1		1	(1)
19	...	124732-77720	LAMP, CHARGING	3	3	3	3	
20	...	171010-77850	THERMOMETER, C.W.	1	1	1	1	
21	...	128300-77920	TIMER	1	1	1	1	
22	...	124559-77971	LAMP, PILOT	1	1	1	1	
23	...	171090-91010	GAUGE, PRESSURE	1	1	1	1	
24	...	119888-91031	HARNESS (B), WIRE	1	1	1	1	
25	...	171080-91100	TACHOMETER	1		1		
26	...	171082-91100	TACHOMETER		1		1	
27	...	119888-91110	BODY	1	1	1	1	
28	...	124770-91220	COVER 52	2	2	2	2	
29	...	121400-91520	ABSORBER	4	4	4	4	
30	...	121400-91530	SPACER	4	4	4	4	
31	...	119888-91610	LABEL, CW & OIL LAMP	1	1	1	1	
32	...	119888-91620	LABEL, KEY SWITCH	1	1	1	1	
33	...	933110-00100	SWITCH ASSY, STARTER	1	1	1	1	
35	933110-00301	KEY ASSY	1	1	1	1	
38	...	26106-060102	BOLT M 6X 10 PLATED	1	1	1	1	
39	.	22117-050000	WASHER 5	1	1	1	1	
40	.	22217-050000	SPRING WASHER 5	1	1	1	1	
41	.	26716-050002	NUT M 5	1	1	1	1	
42	.	121750-59890	CLAMP 140	1	1	1	1	
43	.	194180-51640	CLAMP, WIRE HARNESS	1	1	1	1	
44	.	26366-080002	NUT M 8	1	1	1	1	
45	.	121750-59890	CLAMP 140	1	1	1	1	
46	.	26033-060202	SCREW M 6X 20	4	4	4	4	
47	.	26106-080162	BOLT M 8X 16 PLATED	2	2	2	2	
48	.	26106-100122	BOLT M10X 12 PLATED	1	1	1	1	
49	.	22217-080000	SPRING WASHER 8	1	1	1	1	
50	.	26756-080002	LOCK NUT M 8 PLATED	1	1	1	1	

----- REMARKS -----

(1) WITH C.W.THERMOMETER(REF.NO.20,
 P/# 171010-77850) & PRESSURE
 GAUGE(REF.NO.23,P/# 171090-91010).

Y129613

24. GASKET SET & TOOL (OPTIONAL)



(24) GASKET SET & TOOL(OPTIONAL)

(A)=4TNE88-SA (D)=4TNE88-EG1A

(B)=4TNE88-G1A01(E)=

(C)=4TNE88-ESA (F)=

 +-----+
 | 1B12 |
 |(1A01)|
 +-----+
 Y00R5200

REF. NO.	LEV. 0	PART NO.	DESCRIPTION	-----Q'TY-----						I P/U A R
				(A)	(B)	(C)	(D)	(E)	(F)	
1	.	719609-92610	GASKET SET(NON-ASB.)	1		1				(1)
2	.	719609-92620	GASKET SET(NON-ASB.)		1		1			(1)
3	..	129407-01340	GASKET,CYL.HEAD	1	1	1	1			
4	..	121850-51960	O-RING, F.I.PUMP	1	1	1	1			
5	..	121400-11340	SEAL, VALVE STEM	4	4	4	4			
6	..	124460-11340	SEAL, VALVE STEM	4	4	4	4			
7	..	119625-11870	PROTECTOR, NOZZLE	4	4	4	4			
8	..	119625-11880	SEAT, NOZZLE	4	4	4	4			
9	..	129550-11310	GASKET, BONNET	1	1	1	1			
10	..	129400-13201	GASKET, (NON-ASB.)	2	2	2	2			
11	..	129150-77511	GASKET, (NON-ASB.)	1	1	1	1			
12	..	129550-12111	GASKET, (NON-ASB.)	1		1				
13	..	129407-12110	GASKET,INT.MANIFOLD		1		1			
14	..	129407-13110	GASKET,MAINFOLD	1	1	1	1			
15	..	129550-13110	GASKET, EXH.MANIFOLD	1		1				
16	..	129150-32020	GASKET, L.O. PUMP	1	1	1	1			
17	..	129150-35041	GASKET, (NON-ASB.)	1	1	1	1			
18	..	129150-35111	GASKET, (NON-ASB.)	1	1	1	1			
19	..	129100-42020	GASKET, C.W. PUMP	1	1	1	1			
19-1	..	129486-42021	GASKET	1	1	1	1			N
		(A=E45065)	(B=E45102)	(C=E45857)	(D=E44618)					
20	..	129795-49551	GASKET, (NON-ASB.)	1	1	1	1			
21	..	129150-49811	GASKET, (NON-ASB.)	1	1	1	1			
22	..	124465-44950	GASKET 16	2	2	2	2			
23	..	129150-49360	GASKET 10	1	1	1	1			
24	..	24341-000500	O-RING 1A S-50.0	1	1	1	1			
25	..	24311-000320	O-RING 1A P-32.0	2	2	2	2			
26	..	24311-000120	O-RING 1A P 12.0	3	3	3	3			
27	..	24311-000160	O-RING 1A P-16.0	3	3	3	3			
28	..	24341-000240	O-RING 1A S-24.0	1	1	1	1			
29	..	24321-000850	O-RING 1A G-85.0	1		1				
30	..	171353-26081	GASKET,H0-P BRACKET	1		1				
31	..	129100-49840	GASKET, THERMO. CASE	1	1	1	1			
31-1	..	124395-49840	GASKET, THERMO. CASE	1	1	1	1			N
		(A=E51511)	(B=E51776)	(C=E51987)	(D=E51102)					
32	..	24321-000300	O-RING G30	1	1	1	1			
32-1	..	129486-42140	O-RING,CW-P	1	1	1	1			N
		(A=E43947)	(B=E45102)	(C=E44375)	(D=E43758)					
33	.	129400-92430	HORN, FLEX	1	1	1	1			(1)
34	.	977770-01212	GASKET, LIQUID	1	1	1	1			(1)
35	.	721400-92102	TOOL ASSY	1	1	1	1			
36	..	104200-92350	DRIVER, SCREW	1	1	1	1			
37	..	104200-92600	TOOL BOX	1	1	1	1			
38	..	28110-100120	WRENCH 10X12	1	1	1	1			
39	..	28110-140170	WRENCH 14X17	1	1	1	1			
40	..	28110-190220	WRENCH 19X22	1	1	1	1			
41	..	28210-000140	FEEDER, OIL	1	1	1	1			

----- REMARKS -----

| (1) OPTIONAL PART.

Y129614

PARTS INDEX

All parts of this Parts Catalog is arranged by Part No. order
(depending on the spot where the part is used).

If you want to know by Part No. where your object part is used,
please use this Parts Catalog.

PART NO.	DESCRIPTION	CATALOG NO.	GRP. REF. NO.	LOC. NO.	PART NO.	DESCRIPTION	CATALOG NO.	GRP. REF. NO.	LOC. NO.
X0280210230	NUT	Y00R5200	19 11	1806	119810-53000	NOZZLE ASSY, F. INJECT	Y00R5200	15	1802
X0283060061	ROLLER	Y00R5200	19 2	1806	119810-77340	BOLT	Y00R5200	21 32	1809
			20 3	1807	119820-77340	SPACER	Y00R5200	21 28	1809
X0283270140	RETAINER	Y00R5200	19 12	1806	119836-77200	GENERATOR	Y00R5200	21 1	1808
X2114535200	METAL, STARTER	Y00R5200	18 12	1805	119836-77201	GENERATOR (AC)	Y00R5200	21 1-1	1808
X9490561370	NUT	Y00R5200	19 4	1806	119836-77200	ROTOR ASSY	Y00R5200	21 2	1808
			20 5	1807	119836-77710	STATOR ASSY	Y00R5200	21 4	1808
X9491200240	BALL	Y00R5200	19 5	1806	119836-77721	COVER ASSY, REAR	Y00R5200	21 5	1808
			20 6	1807	119836-77730	COVER, REAR	Y00R5200	21 6	1808
X9491730461	SPRING	Y00R5200	19 26	1806	119836-77741	BRUSH ASSY, REGULATOR	Y00R5200	21 7	1808
101304-59020	JOINT 12, PIPE	Y00R5200	16 18	1803	119836-77750	BRUSH ASSY	Y00R5200	21 8	1808
103854-39140	BOLT, PIPE JOINT	Y00R5200	16 17	1803	119836-77760	GUIDE, FAN SIDE	Y00R5200	21 9	1808
104200-55321	VALVE, TAPER	Y00R5200	16 2	1803	119836-77770	DIODE ASSY	Y00R5200	21 10	1808
104200-55330	SPRING, TAPER VALVE	Y00R5200	16 3	1803	119836-77780	CONDENSER	Y00R5200	21 11	1808
104200-55750	SCREW M 4	Y00R5200	16 10	1803	119836-77790	COVER ASSY, FRONT	Y00R5200	21 15	1808
104200-66820	SPRING	Y00R5200	17 7	1804	119836-77800	RETAINER, BEARING	Y00R5200	21 16	1808
104200-66830	PLATE, FRICTION	Y00R5200	17 8	1804	119836-77810	PULLEY	Y00R5200	21 19	1808
104200-66850	WASHER (B)	Y00R5200	17 9	1804	119836-77820	NUT ASSY, PULLEY	Y00R5200	21 20	1808
104200-66860	NUT	Y00R5200	17 10	1804	119836-77830	BOLT, THROUGH	Y00R5200	21 21	1808
104200-92350	DRIVER, SCREW	Y00R5200	24 36	1812	119836-77840	BALL BEARING	Y00R5200	21 17	1808
104200-92600	TOOL BOX	Y00R5200	24 37	1812	119836-77850	BALL BEARING	Y00R5200	21 3	1808
104507-07190	LABEL, YAMMAR	Y00R5200	23 14	1811	119836-77860	SCREW KID	Y00R5200	21 18	1808
105025-59530	PIPE, FUEL (D13XL400)	Y00R5200	15 71	1802	119836-77871	BOLT (1)	Y00R5200	21 12	1808
			16 28	1803	119836-77880	BOLT (2)	Y00R5200	21 13	1808
105225-59511	PIPE, FUEL OIL	Y00R5200	15 70	1802	119836-77890	WIRE ASSY, LEAD	Y00R5200	21 14	1808
105312-59510	PIPE, FUEL	Y00R5200	16 27	1803	119836-77920	BRACKET ASSY, REAR	Y00R5200	21 24	1808
114250-39430	SWITCH, (0.5KG) L.O.	Y00R5200	16 22	1803	119840-59500	PIPE ASSY, RETURN	Y00R5200	15 74	1802
114250-53080	NUT, NOZZLE CASE	Y00R5200	10 33-1	1A11	119840-59560	PIPE, FUEL RETURN	Y00R5200	15 76	1802
114250-53120	SPRING, NOZZLE	Y00R5200	15 11	1802	119840-59570	JOINT	Y00R5200	15 77	1802
114250-53150	SEAT, NOZZLE SPRING	Y00R5200	15 15	1802	119865-21600	GEAR, RING	Y00R5200	9 17	1A10
114250-53160	PLATE, STOP	Y00R5200	15 16	1802				21	1A10
114250-53210	PIN	Y00R5200	15 18	1802	119888-01600	HOUSING, FLYWHEEL	Y00R5200	3	1A04
114250-53400	SHIM PACK	Y00R5200	15 19	1802	119888-08110	BRACKET (B), ENGINE	Y00R5200	12	2
119005-12571	ELEMENT ASSY, INNER	Y00R5200	6 29	1A07	119888-21450	RETAINER, BEARING	Y00R5200	9	26
119131-18320	BOLT M 8 X 22	Y00R5200	7 5	1A08	119888-66110	BRACKET	Y00R5200	17	3
119259-44570	CAP, RADIATOR	Y00R5200	12 43	1A13	119888-66130	PIVOT	Y00R5200	17	4
119305-59420	RETAINER	Y00R5200	15 32	1801	119888-66160	CONTROL DEVICE	Y00R5200	17	1
119400-66840	NUT, CAP	Y00R5200	14 103	1801	119888-89100	SHAFT	Y00R5200	22	1
119420-01750	CAP, FLYWHEEL COVER	Y00R5200	3 5	1A04	119888-89110	HOUSING, BEARING	Y00R5200	22	2
119423-49100	PIPE, C.V.	Y00R5200	12 49	1A13	119888-89210	SHAFT, OUTPUT	Y00R5200	22	4
119625-11870	PROTECTOR, NOZZLE	Y00R5200	4 21	1A05	119888-91022	HARNES(A), WIRE	Y00R5200	23	2
			5 20	1A06	119888-91031	HARNES(B), WIRE	Y00R5200	23	24
119625-11880	SEAT, NOZZLE	Y00R5200	24 7	1812	119888-91100	PANEL ASSY, INSTRUM	Y00R5200	23	10
			4 22	1A05	119888-91110	BODY	Y00R5200	23	27
			5 21	1A06	119888-91120	SUPPORT, PANEL	Y00R5200	23	5
119625-11900	RETAINER	Y00R5200	24 8	1812	119888-91201	PANEL ASSY, INSTRUM	Y00R5200	23	11
			4 23	1A05	119888-91301	PANEL ASSY, INSTRUM	Y00R5200	23	16
119640-01640	DRAIN PLUG M22	Y00R5200	5 22	1A06	119888-91311	PANEL ASSY, INSTRUM	Y00R5200	23	13
119653-77950	SOLENOID, STOP	Y00R5200	14 95	1A16	119888-91320	PANEL ASSY, INSTRUM	Y00R5200	23	17
119660-61901	RETAINER, SHAFT	Y00R5200	14 70	1A16	119888-91330	PANEL, INSTRUMENT	Y00R5200	23	18
119808-12540	VALVE, UNLOADER	Y00R5200	6 21	1A07	119888-91610	LABEL, CW & OIL LAMP	Y00R5200	23	31
			27	1A07	119888-91620	LABEL, KEY SWITCH	Y00R5200	23	32
			27	1A07	119908-61501	LEVER ASSY, GOVERNOR	Y00R5200	14	39-1

PART NO.	DESCRIPTION	CATALOG NO.	GRP. NO.	REF. NO.	LOC NO.	PART NO.	DESCRIPTION	CATALOG NO.	GRP. NO.	REF. NO.	LOC. NO.
120130-11860	GUIDE, VALVE	Y00R5200	4	7	1A05	124450-44530	CAP	Y00R5200	12	27	1A13
120323-61470	BOLT, CONTROL	Y00R5200	5	6	1A06	124450-44550	CLAMP, SUB-TANK	Y00R5200	12	30	1A13
121023-01550	COVER, BLIND	Y00R5200	14	102	1B01	124450-44560	CLAMP	Y00R5200	12	28	1A13
121023-26070	COVER, HO-P	Y00R5200	2	25	1A03	124460-11340	SEAL, VALVE STEM	Y00R5200	4	19	1A05
121111-21501	BOLT, FLYWHEEL	Y00R5200	8	20	1A09				5	18	1A06
121250-44590	CLAMP	Y00R5200	9	13	1A10				24	6	1B12
121250-44901	SWITCH, THERMO(110°C)	Y00R5200	12	47	1A13	124465-44950	GASKET 16	Y00R5200	11	36	1A12
121250-59550	PIPE, FUEL	Y00R5200	11	35	1A12				37	37	1A12
121256-44600	BRACKET, SUB-TANK	Y00R5200	15	73	1B02				24	22	1B12
121267-44741	FAN, COOLING (D=360)	Y00R5200	12	31	1A13	124550-01590	BOLT M8X16	Y00R5200	2	36	1A03
121267-44760	SPACER	Y00R5200	11	29	1A12				39	1A03	
121400-11340	SEAL, VALVE STEM	Y00R5200	11	30	1A12				23	1	1A03
121400-44650	ABSORBER, SHOCK	Y00R5200	4	18	1A05	124550-21600	RING GEAR	Y00R5200	9	25	1A10
121400-91140	SHAFT, FLEXIBLE	Y00R5200	5	17	1A06	124550-51350	GASKET, DELIVERY	Y00R5200	13	46	1A14
121400-91520	ABSORBER	Y00R5200	24	5	1B12	124550-51370	O-RING, DELIVERY	Y00R5200	13	47	1A14
121400-91530	SPACER	Y00R5200	12	7	1A13	124550-59820	BOLT M/ SEAL WASHER	Y00R5200	10	40	1A11
121450-01560	STUD M 8X 22	Y00R5200	23	3	1B11	124550-59830	LOCK NUT M 6	Y00R5200	10	39	1A11
121450-42450	GUIDE, DIPSTICK	Y00R5200	23	29	1B11	124550-77030	COVER, TERMINAL	Y00R5200	14	72	1A16
121520-34810	BOLT, CONNECTING ROD	Y00R5200	2	30	1B11	124559-77971	LAMP, PILOT	Y00R5200	23	22	1B11
121550-23200	JOINT, PTT/4	Y00R5200	10	18	1A11	124732-77720	LAMP, CHARGING	Y00R5200	23	19	1B11
121550-49111	CLAMP 140	Y00R5200	9	44	1A10	124766-59050	CLAMP 12	Y00R5200	12	51	1A13
121750-59890	CLAMP	Y00R5200	11	33	1A12				15	69	1B02
121850-13580	CLAMP	Y00R5200	12	55	1A13				16	21	1B03
121850-21680	BOLT, V-PULLEY	Y00R5200	23	42	1B11	124770-91220	COVER 52	Y00R5200	26	26	1B03
121850-51960	O-RING, F.I.PUMP	Y00R5200	7	12	1A08	124950-51190	SPRING, PLUNGER	Y00R5200	23	28	1B11
121855-13821	SPACER(A)	Y00R5200	9	12	1A08	126650-12680	INDICATOR	Y00R5200	13	25	1A14
121855-13830	SPACER(B)	Y00R5200	7	15	1A08	126650-66020	HANDLE, REGULATOR	Y00R5200	6	30	1A07
122117-51560	SCREW, PINION	Y00R5200	2	12	1A03	128300-13640	RAIN CAP	Y00R5200	17	2	1B04
122710-51090	KEY	Y00R5200	24	4	1B12	128300-77920	TIMER	Y00R5200	7	13	1A08
123500-13840	SPACER(C)	Y00R5200	7	14	1A08	129001-01250	PLUG 50	Y00R5200	23	12	1B11
123682-44210	CAP	Y00R5200	7	15	1A08	129001-02930	MAIN BEARING SET	Y00R5200	1	25	1A02
124066-59100	CLAMP 8	Y00R5200	13	65	1A14	129001-22070	PISTON W/RING	Y00R5200	9	30	1A10
124160-01751	CAP, LUB.OIL SUPPLY	Y00R5200	13	16	1A14	129001-22081	PISTON W/RINGS	Y00R5200	9	29	1A10
124160-01910	PLUG PT1/4	Y00R5200	7	16	1A08	129001-22500	RING SET, PISTON	Y00R5200	9	33	1A10
124160-11360	KNOB	Y00R5200	12	5	1A13	129001-22900	PISTON W/RING OS=.25	Y00R5200	9	47	1A10
124160-39140	BOLT 10, PIPE JOINT	Y00R5200	15	72	1B02	129001-22930	PISTON W/RING OS=.25	Y00R5200	9	48	1A10
124160-39450	SWITCH, OIL PRESSURE	Y00R5200	2	7	1B02	129001-22950	RING SET O.S=0.25	Y00R5200	9	51	1A10
124195-77770	THROUGH BOLT	Y00R5200	4	51	1A05	129001-35300	BOLT, LUB.O. STRAINER	Y00R5200	10	29	1A11
124240-01871	COVER, HO-P	Y00R5200	4	42	1A05	129001-42002	PUMP ASSY, C.WATER	Y00R5200	11	1	1A12
124250-49351	THERMOMETER	Y00R5200	5	41	1A06	129001-42003	PUMP ASSY, COOLANT	Y00R5200	11	1	1A12
124395-49840	GASKET, THERMO. CASE	Y00R5200	1	5	1A02	129001-42040	JOINT	Y00R5200	11	1	1A12
124450-44510	SUB-TANK ASSY	Y00R5200	6	6	1A02	129001-91841	BOLT M 8X 85 PLATED	Y00R5200	11	20	1A12
124450-44510	SUB-TANK ASSY	Y00R5200	4	51	1A05	129052-55620	STRAINER ASSY, FUEL	Y00R5200	2	23	1A03
124160-39140	BOLT 10, PIPE JOINT	Y00R5200	5	51	1A06	129052-61050	PACKING	Y00R5200	16	1	1B03
124160-39450	SWITCH, OIL PRESSURE	Y00R5200	10	34	1A11	129052-61060	COVER	Y00R5200	14	8	1A16
124195-77770	THROUGH BOLT	Y00R5200	10	33	1A11	129052-61070	PACKING	Y00R5200	14	9	1A16
124240-01871	COVER, HO-P	Y00R5200	18	23	1B05	129052-61390	SHAFT, GOV. LEVER	Y00R5200	14	10	1A16
124250-49351	THERMOMETER	Y00R5200	8	8	1A03	129052-61500	LEVER ASSY, GOVERNOR	Y00R5200	14	38	1A16
124395-49840	GASKET, THERMO. CASE	Y00R5200	11	38	1A12	129052-61540	SPRING	Y00R5200	14	39	1A16
124450-44510	SUB-TANK ASSY	Y00R5200	11	18	1A12	129062-12560	ELEMENT	Y00R5200	14	59	1A16
124450-44510	SUB-TANK ASSY	Y00R5200	24	31	1B12				6	22	1A07
124450-44510	SUB-TANK ASSY	Y00R5200	12	25	1A13	129100-01580	PARALLEL PIN 8X16	Y00R5200	3	1	1A04

PART NO.	DESCRIPTION	CATALOG NO.	GRP. NO.	REF. NO.	LOC NO.	PART NO.	DESCRIPTION	CATALOG NO.	GRP. NO.	REF. NO.	LOC. NO.
129100-01580	PARALLEL PIN 8X16	Y00R5200	3	21	1A04	129136-34800	DIPSTICK, LUB. OIL	Y00R5200	10	17	1A11
129100-01640	CASE ASSY, OIL SEAL	Y00R5200	3	22	1A10	129136-77251	BOLT M 8X110	Y00R5200	21	29	1B09
129100-11100	VALVE, INTAKE	Y00R5200	4	13	1A04	129150-01200	STUD, CYL. HEAD	Y00R5200	1	33	1A02
129100-11110	VALVE, EXHAUST	Y00R5200	5	12	1A06	129150-02020	BOLT, METAL CAP	Y00R5200	1	8	1A02
			4	14	1A05	129150-02450	METAL, THRUST(CAM	Y00R5200	8	4	1A09
			5	13	1A06	129150-02870	MAIN METAL US-0.25	Y00R5200	1	35	1A02
129100-11650	ARM ASSY, ROCKER	Y00R5200	5	32	1A06	129150-02930	METAL, THRUST	Y00R5200	1	28	1A02
129100-23910	BUSH, PISTON PIN	Y00R5200	9	43	1A06	129150-02940	METAL, THRUST.25(2PIE	Y00R5200	1	58	1A02
129100-25061	SHAFT, IDLE GEAR	Y00R5200	8	9	1A09	129150-03020	COVER, BREATHER	Y00R5200	4	43	1A05
129100-42020	GASKET, C.W. PUMP	Y00R5200	11	23	1A12	129150-03070	BAFFLE, BREATHER	Y00R5200	5	42	1A06
			24	19	1B12				5	44	1A05
			11	18	1A12	129150-03080	PLATE, SHELTER	Y00R5200	4	45	1A05
			24	31	1B12				5	44	1A06
129100-51300	VALVE W/SEAT, DELIV.	Y00R5200	13	36	1A14	129150-03100	RETAINER	Y00R5200	2	11	1A03
129100-52100	PUMP ASSY, FUEL FEED	Y00R5200	13	121	1A15	129150-11230	SCREW, VALVE	Y00R5200	4	34	1A05
129100-53100	HOLDER ASSY, NOZZLE	Y00R5200	15	12	1B02				5	33	1A06
129100-55650	ELEMENT, FUEL	Y00R5200	16	4	1B03	129150-11280	SPRING	Y00R5200	4	29	1A05
129100-55670	LEVER	Y00R5200	16	6	1B03				5	28	1A06
129100-55680	CUP, STRAINER	Y00R5200	16	7	1B03	129150-11370	CAP, VALVE	Y00R5200	4	20	1A05
129100-55690	RING, RETAINING	Y00R5200	16	8	1B03				5	19	1A06
129100-55700	SPRING	Y00R5200	16	9	1B03	129150-11750	NUT M8XP1.0	Y00R5200	4	36	1A05
129100-59951	VALVE ASSY, CHECK	Y00R5200	15	79	1B02				5	35	1A06
129100-61400	SHAFT ASSY, CONTROL	Y00R5200	14	24	1A16	129150-11810	GUIDE, VALVE	Y00R5200	4	9	1A05
129100-61440	LEVER, CONTROL	Y00R5200	14	89	1A16				5	8	1A06
129100-61650	SPRING, FUEL CONTROL	Y00R5200	14	91	1A16	129150-14101	GEAR, CAMSHAFT	Y00R5200	8	7	1A09
129100-61930	NUT, CAP	Y00R5200	14	97	1B01	129150-14200	TAPPET	Y00R5200	8	1	1A09
129100-77330	ADJUSTER	Y00R5200	21	31	1B09	129150-14400	ROD, PUSH	Y00R5200	8	2	1A09
129120-77501	HEATER, AIR	Y00R5200	6	7	1A07	129150-21200	GEAR, CRANKSHAFT	Y00R5200	9	5	1A10
129129-77230	BEARING	Y00R5200	19	8	1B06	129150-23600	BEARING, CRANKPIN	Y00R5200	9	45	1A10
129129-77240	BEARING	Y00R5200	19	9	1B07	129150-23610	METAL-PIN US-0.25	Y00R5200	9	55	1A10
			20	10	1B07	129150-25101	GEAR W/BUSH	Y00R5200	8	10	1A09
129129-77260	RETAINER	Y00R5200	19	21	1B06	129150-25301	BOLT, FI-P	Y00R5200	8	18	1A09
			20	19	1B07	129150-25900	GEAR, FUEL INJ. PUMP	Y00R5200	8	15	1A09
129129-77270	PINION	Y00R5200	19	22	1B06	129150-25920	BUSH, IDLE GEAR	Y00R5200	8	13	1A09
			20	20	1B07	129150-25931	GEAR	Y00R5200	8	19	1A09
129129-77290	FRAME	Y00R5200	19	24	1B06	129150-32020	GASKET, L.O. PUMP	Y00R5200	10	14	1A11
129129-77320	BOLT	Y00R5200	19	28	1B06				24	16	1B12
129129-77340	SPRING	Y00R5200	19	30	1B06	129150-35041	GASKET, (NON-ASB.)	Y00R5200	10	19	1A11
			20	27	1B07				24	17	1B12
129129-77350	O-RING	Y00R5200	19	31	1B06	129150-35091	PIPE ASSY, OIL INLET	Y00R5200	10	20	1A11
			20	28	1B07	129150-35101	BRACKET, STRAINER	Y00R5200	10	26	1A11
129129-77362	COVER	Y00R5200	19	32	1B06	129150-35111	GASKET, (NON-ASB.)	Y00R5200	10	27	1A11
			20	2	1B07				24	18	1B12
129129-77370	NUT	Y00R5200	20	29	1B07	129150-35151	FILTER 80X80L	Y00R5200	10	28	1A11
129129-77380	CAP	Y00R5200	19	34	1B06	129150-35350	NUT	Y00R5200	10	30	1A11
129129-77400	SHAFT	Y00R5200	19	16	1B06	129150-49080	COCK, DRAIN	Y00R5200	12	37	1A13
129129-77410	SPRING, COIL	Y00R5200	19	17	1B06	129150-49100	COCK ASSY, 3-WAY	Y00R5200	12	36	1A13
129129-77420	PINION	Y00R5200	19	19	1B06	129150-49360	GASKET 10	Y00R5200	11	39	1A12
129129-77430	RING	Y00R5200	19	20	1B06				24	23	1A12
129129-77440	BEARING	Y00R5200	19	14	1B06	129150-49811	GASKET, (NON-ASB.)	Y00R5200	11	17	1A12
129129-77450	SCREW	Y00R5200	19	15	1B06				24	21	1B12
129129-77460	HOSE, C.WATER	Y00R5200	19	3	1B06	129150-59120	RETAINER, INJ. PIPE	Y00R5200	15	88	1B02
129132-44530		Y00R5200	12	45	1A13	129150-59131	BOLT M4X14, HEX.SCKT.	Y00R5200	15	35	1B02

*** PARTS INDEX ***

PART NO.	DESCRIPTION	CATALOG NO.	GRP. NO.	REF. NO.	LOC NO.	PART NO.	DESCRIPTION	CATALOG NO.	GRP. NO.	REF. NO.	LOC. NO.
129150-59131	BOLT MAX14, HEX. SCKT.	Y00R5200	15	91	1B02	129156-51910	LABEL, CAUTION	Y00R5200	13	94	1A15
129150-59580	CAP	Y00R5200	15	78	1B02	129188-08100	BRACKET (A), ENGINE	Y00R5200	12	1	1A13
129150-77511	GASKET, (NON-ASB.)	Y00R5200	6	8	1A07	129188-64950	BRACKET (A)	Y00R5200	12	11	1A10
129150-91400	GEAR UNIT, TACHOMETER	Y00R5200	24	11	1B12	129202-23300	PIN, PISTON	Y00R5200	9	37	1A10
129155-11260	SUPPORT, ROCKER ARM	Y00R5200	4	27	1A03	129208-51060	SUPPORT	Y00R5200	13	113	1A15
129155-11270	SUPPORT, ROCKER ARM	Y00R5200	5	26	1A06	129208-54500	FLANGE ASSY	Y00R5200	13	109	1A15
129155-42350	V-PULLEY, C.W. PUMP	Y00R5200	4	28	1A05	129209-51300	VALVE ASSY	Y00R5200	13	37	1A14
129155-49800	THERMOSTAT	Y00R5200	11	27	1A06	129209-61940	CASE ASSY	Y00R5200	14	106	1B01
129155-51020	STUD, FEED PUMP	Y00R5200	11	16	1A12	129209-61970	PLATE	Y00R5200	14	104	1B01
129155-51050	BALL BEARING, THRUST	Y00R5200	13	12	1A14	129210-59040	PIPE ASSY, FUEL OIL	Y00R5200	16	20	1B03
129155-51060	CAM SHAFT SUPPORT	Y00R5200	13	107	1A15	129210-59050	PIPE ASSY, FUEL	Y00R5200	16	19	1B03
129155-51140	PIN, BARREL LOCKING	Y00R5200	13	108	1A15	129210-59150	PIPE ASSY, FUEL OIL	Y00R5200	15	68	1B02
129155-51180	SPRING SHOE, PLUNGER	Y00R5200	13	24	1A14	129210-59170	PIPE ASSY, FUEL OIL	Y00R5200	16	25	1B03
129155-51200	TAPPET ASSY	Y00R5200	13	22	1A14	129350-69560	COVER, THERMOSTAT	Y00R5200	11	14	1A12
129155-51270	LOCKING, TAPPET	Y00R5200	13	26	1A14	129400-01520	FLANGE, GEARS HOUSING	Y00R5200	2	5	1A03
129155-51280	O-RING S6	Y00R5200	13	34	1A14	129400-01730	SPALER, OIL SUMP	Y00R5200	3	12	1A04
129155-51320	SPRING, DELIV. VALVE	Y00R5200	14	5	1A16	129400-01770	SUMP ASSY, LUB. OIL	Y00R5200	3	14	1A04
129155-51340	GUARD, DELIVERY VALVE	Y00R5200	13	42	1A14	129400-11350	BONNET ASSY	Y00R5200	4	41	1A05
129155-51370	STOPPER, VALVE	Y00R5200	13	44	1A14	129400-13101	MANIFOLD, EXHAUST	Y00R5200	7	24	1A08
129155-51380	LOCKING (A)	Y00R5200	13	50	1A14	129400-13201	GASKET, (NON-ASB.)	Y00R5200	7	7	1A08
129155-51390	LOCKING (B)	Y00R5200	13	51	1A14	129400-59910	PIPE, FUEL INJECTION	Y00R5200	24	10	1B12
129155-51410	CHECK BOLT, DEFLECTOR	Y00R5200	13	53	1A14	129400-59920	PIPE, FUEL INJECTION	Y00R5200	15	39	1B02
129155-51420	PLUG (M16)	Y00R5200	13	54	1A14	129400-59930	PIPE, FUEL INJECTION	Y00R5200	15	46	1B02
129155-51450	SHIM SET, ADJUSTING	Y00R5200	13	55	1A14	129400-59940	PIPE, FUEL INJECTION	Y00R5200	15	53	1B02
129155-51520	BUSH, RACK	Y00R5200	13	61	1A14	129400-92430	HORN, FLEX	Y00R5200	15	60	1B02
129155-51530	SPACER, AUX. SPRING	Y00R5200	13	62	1A14	129400-92430	HORN, FLEX	Y00R5200	24	33	1B12
129155-51540	CIRCLIP	Y00R5200	13	63	1A14	129403-44740	VAN, COOLING (D=370)	Y00R5200	11	26	1A12
129155-51550	PISTON, CONTROL	Y00R5200	13	64	1A14	129407-07340	GASKET, CYL. HEAD	Y00R5200	11	28	1A12
129155-51570	PLUG (M12)	Y00R5200	13	67	1A14	129407-11700	HEAD ASSY, CYLINDER	Y00R5200	24	3	1B12
129155-51580	O-RING	Y00R5200	13	68	1A14	129407-12100	MAINFOLD, INTAKE	Y00R5200	5	2	1A06
129155-51591	SPRING, RACK	Y00R5200	13	69	1A14	129407-12110	GASKET, INT. MANIFOLD	Y00R5200	6	4	1A07
129155-51600	SHIM PACK	Y00R5200	13	70	1A14	129407-13100	MANIFOLD, EXHAUST	Y00R5200	7	1	1A08
129155-51790	LOCKING, RACK	Y00R5200	13	93	1A15	129407-13110	GASKET, MAINFOLD	Y00R5200	7	2	1A08
129155-51930	SPACER T=3.25	Y00R5200	13	95	1A15	129407-21000	CRANKSHAFT ASSY	Y00R5200	24	14	1B12
129155-51940	SPACER T=1.5	Y00R5200	13	96	1A15	129407-21100	CRANKSHAFT ASSY	Y00R5200	9	1	1A10
129155-52050	GASKET	Y00R5200	13	120	1A15	129407-32000	PUMP ASSY, LUB. OIL	Y00R5200	9	1-1	1A10
129155-61120	LINK L=30(MARK 0)	Y00R5200	14	11	1A16	129407-77010	STARTER ASSY	Y00R5200	10	1	1A11
129155-61130	LINK L=31(MARK 1)	Y00R5200	14	12	1A16	129407-77210	YOKE	Y00R5200	19	1	1B06
129155-61140	LINK L=30.5(MARK 0.5)	Y00R5200	14	13	1A16	129407-77220	ARMATURE ASSY	Y00R5200	19	6	1B06
129155-61202	WEIGHT ASSY, GOVERNOR	Y00R5200	14	14	1A16	129407-77250	STARTER KIT	Y00R5200	19	7	1B06
129155-61341	SLEEVE	Y00R5200	14	23	1A16	129407-77280	HOUSING	Y00R5200	19	10	1B06
129155-61350	SLEEVE	Y00R5200	14	98	1B01	129407-77300	HOLDER ASSY	Y00R5200	19	25	1B06
129155-61360	SLEEVE	Y00R5200	14	99	1B01	129407-77310	SWITCH ASSY	Y00R5200	19	27	1B06
129155-61430	SPACER, SHAFT	Y00R5200	14	27	1A16	129407-77330	BOLT, W/WASHER	Y00R5200	19	29	1B06
129155-61450	BOLT, REVOL. LIMIT	Y00R5200	14	31	1A16	129407-77390	CLUTCH, STARTER	Y00R5200	19	13	1B06
129155-61460	BOLT, IDLE LIMIT	Y00R5200	14	32	1A16	129407-77410	SPRING	Y00R5200	19	18	1B06
129155-61470	BOLT, FUEL CONTROL	Y00R5200	14	101	1B01	129411-13500	SILENCER	Y00R5200	7	28	1A08
129155-61480	SPACER ASSY	Y00R5200	14	33	1A16						
129155-61830	O-RING S10	Y00R5200	14	100	1B01						
129155-61950	BOLT, WASHER BASED	Y00R5200	14	71	1A16						

PART NO.	DESCRIPTION	CATALOG NO.	GRP. REF. NO.	LOC NO.	PART NO.	DESCRIPTION	CATALOG NO.	GRP. REF. NO.	LOC NO.
129411-13600	COVER, SILENCER	Y00R5200	7 29	1A08	129488-66150	LINK, GOV. CONTROL	Y00R5200	17	29
129411-13650	STAY, SILENCER	Y00R5200	7 30	1A08	129500-11240	SHAFT, ROCKER ARM	Y00R5200	5	25
129411-13670	BAND (UPPER)	Y00R5200	7 31	1A08	129500-61650	SPRING, FUEL CONTROL	Y00R5200	14	92
129411-13680	BAND (LOWER)	Y00R5200	7 32	1A08	129503-53000	NOZZLE ASSY, F-INJECT	Y00R5200	15	4
129412-61500	LEVER ASSY, GOVERNOR	Y00R5200	14 40	1A16	129505-51300	VALVE W/SEAT, DELIV.	Y00R5200	13	35
129420-13500	SILENCER	Y00R5200	7 8	1A08	129506-51040	CAMSHAFT	Y00R5200	13	14
129420-13530	MUFFLER BODY ASSY	Y00R5200	7 9	1A08	129506-51100	PLUNGER W/BARREL	Y00R5200	13	18
129420-13540	TAILPIPE ASSY	Y00R5200	7 10	1A08	129550-11290	SHAFT, ROCKER ARM	Y00R5200	4	30
129420-13550	TAIL PIPE	Y00R5200	7 11	1A08				5	29
129420-44500	RADIATOR	Y00R5200	12 42	1A13	129550-11310	GASKET, BONNET	Y00R5200	4	47
129420-44550	SHROUD COMPL.	Y00R5200	12 46	1A13				5	47
129420-44560	PROTECTOR, FAN	Y00R5200	12 6	1A13				24	9
129422-44500	RADIATOR	Y00R5200	12 4	1A13	129550-12111	GASKET, (NON-ASB.)	Y00R5200	6	2
129423-59810	PIPE, FUEL INJECTION	Y00R5200	15 41	1B02				24	12
129423-59820	PIPE, FUEL INJECTION	Y00R5200	15 48	1B02	129550-13110	GASKET, EXH. MANIFOLD	Y00R5200	7	25
129423-59830	PIPE, FUEL INJECTION	Y00R5200	15 55	1B02				24	15
129423-59840	PIPE, FUEL INJECTION	Y00R5200	15 62	1B02	129550-21650	V-PULLEY, CRANKSHAFT	Y00R5200	9	10
129429-77011	STARTER ASSY	Y00R5200	20 1	1B07	129550-39450	PIPE ASSY, LUB. OIL	Y00R5200	10	35
129429-77210	YOKE	Y00R5200	20 7	1B07	129555-11241	SHAFT ASSY, ROCKER	Y00R5200	4	26
129429-77220	ARMATURE ASSY	Y00R5200	20 8	1B07	129555-51400	DEFLECTOR	Y00R5200	13	52
129429-77230	BEARING	Y00R5200	20 9	1B07	129555-51500	RACK, CONTROL	Y00R5200	13	60
129429-77250	CLUTCH ASSY, OVER RUN	Y00R5200	20 13	1B07	129555-51700	COVER	Y00R5200	13	89
129429-77270	FRAME	Y00R5200	20 22	1B07	129555-51701	COVER	Y00R5200	13	89-1
129429-77280	HOLDER ASSY	Y00R5200	20 23	1B07	129555-51710	GASKET	Y00R5200	13	90
129429-77290	SPRING	Y00R5200	20 24	1B07	129555-51711	GASKET	Y00R5200	13	90-1
129429-77310	SCREW	Y00R5200	20 4	1B07	129555-51750	COVER, SIDE	Y00R5200	13	91
129429-77320	SCREW	Y00R5200	20 25	1B07	129555-51751	COVER, SIDE	Y00R5200	13	91-1
129429-77330	BOLT	Y00R5200	20 26	1B07	129555-51760	GASKET	Y00R5200	13	92
129429-77340	CAP	Y00R5200	20 30	1B07	129555-59510	PIPE, FUEL	Y00R5200	16	23
129429-77350	GASKET	Y00R5200	20 14	1B07	129573-51330	SPRING, DELY. VALVE	Y00R5200	13	43
129429-77360	COVER	Y00R5200	20 15	1B07	129573-51340	GUARD, DELY. VALVE	Y00R5200	13	45
129429-77370	PLUNGER	Y00R5200	20 16	1B07	129573-51370	STOPPER, VALVE	Y00R5200	13	49
129429-77380	STARTER KIT	Y00R5200	20 17	1B07	129608-44940	SUPPORT, RADIATOR	Y00R5200	12	9
129429-77390	STARTER KIT	Y00R5200	20 18	1B07	129608-44950-1	BRACKET (A)	Y00R5200	12	10
129436-35091	PIPE ASSY, LUB. OIL	Y00R5200	10 21	1A11	129608-77110	STARTING MOTOR	Y00R5200	18	1
129457-11700	HEAD W/BUSH, CYLINDER	Y00R5200	4 4	1A05	129608-77110	YOKE ASSY	Y00R5200	18	4
129470-51040	CAMSHAFT	Y00R5200	13 13	1A14	129608-91132	BRACKET, PANEL	Y00R5200	23	6
129470-51101	PLUNGER W/BARREL	Y00R5200	13 17	1A14	129608-91151	BRACKET ASSY, PANEL	Y00R5200	23	4
129477-61720	SPRING, GOVERNOR	Y00R5200	14 94	1A16	129609-12210	PIPE CMP, INTAKE	Y00R5200	6	11
129486-01670	BOLT M8X30, COLLAR HD	Y00R5200	3 25	1A04	129609-12500	CLEANER ASSY, AIR	Y00R5200	6	17
129486-42021	GASKET	Y00R5200	11 23-1	1A12	129609-12510	CLEANER ASSY, AIR	Y00R5200	6	23
			24 19-1	1B12	129609-12520	BODY, AIR CLEANER	Y00R5200	6	24
129486-42140	O-RING, CW-P	Y00R5200	11 21-1	1A12	129609-12530	BODY, AIR CLEANER	Y00R5200	6	18
			24 32-1	1B12	129609-12550	BRACKET	Y00R5200	6	14
129486-61201	WEIGHT ASSY, GOVERNOR	Y00R5200	14 16	1A16	129609-49100	CM-T	Y00R5200	12	52
129486-61501	LEVER ASSY, GOVERNOR	Y00R5200	14 40-1	1A16	129609-53000	NOZZLE ASSY	Y00R5200	15	6
129486-61540	SPRING, SET	Y00R5200	14 59-1	1A16	129609-91140	STAY, INSTRU. PANEL	Y00R5200	23	9
129488-12100	MANIFOLD, AIR INTAKE	Y00R5200	6 1	1A07	129609-91150	STAY, INSTRU. PANEL	Y00R5200	23	8
129488-21590	FLYWHEEL ASSY	Y00R5200	9 18	1A10	129611-59911	PIPE, F-INJECT (NO.1)	Y00R5200	15	40
129488-44940	STAY, RADIATOR	Y00R5200	12 8	1A13	129611-59921	PIPE, F-INJECT (NO.2)	Y00R5200	15	47
129488-44960	BRACKET (B), RADIATOR	Y00R5200	12 12	1A13	129611-59930	PIPE, F-INJECT (NO.3)	Y00R5200	15	54
129488-44971-2	BRACKET (L)	Y00R5200	12 13	1A13	129611-59940	PIPE, F-INJECT (NO.4)	Y00R5200	15	61
129488-44981-2	BRACKET (R)	Y00R5200	12 14	1A13	129612-01600	HOUSING, FLYWHEEL	Y00R5200	3	3
129488-66120	LINK, GOVERNOR	Y00R5200	17 28	1B04	129612-77260	NUT, GENERATOR	Y00R5200	21	30

PART NO.	DESCRIPTION	CATALOG NO.	GRP. NO.	REF. NO.	LOC NO.	PART NO.	DESCRIPTION	CATALOG NO.	GRP. NO.	REF. NO.	LOC.
129612-7770	ROTOR ASSY	Y00R5200	21	22	1B08	171085-67120	GEAR	Y00R5200	17	13	1B04
129612-7771	BALL BEARING	Y00R5200	21	23	1B08	171090-91010	GAUGE, PRESSURE	Y00R5200	23	23	1B11
129612-7773	FRONT BRACKET ASSY	Y00R5200	21	25	1B08	171102-66080	SPACER	Y00R5200	17	6	1B04
129612-7774	PULLEY	Y00R5200	21	26	1B08	171301-01640	PLUG M22	Y00R5200	3	15	1A04
129612-7775	SCREW KIT	Y00R5200	21	27	1B09	171301-21650	V-PULLEY, CRANKSHAFT	Y00R5200	9	9	1A10
129618-6120	WEIGHT ASSY	Y00R5200	14	17	1A16	171350-03090	PIPE, BREATHER	Y00R5200	4	1	1A05
129698-7720	MAGNETIC SWITCH ASSY	Y00R5200	18	2	1B05	171353-01520	FLANGE, GEAR HOUSING	Y00R5200	5	1	1A06
129698-7710	ARMATURE ASSY	Y00R5200	18	3	1B05	171353-01580	GEAR CASE ASSY	Y00R5200	2	32	1A03
129698-7712	HOLDER ASSY, BRUSH	Y00R5200	18	5	1B05	171353-26000	PTO ASSY	Y00R5200	2	33	1A03
129698-7713	BRUSH (-)	Y00R5200	18	7	1B05	171353-26000	PTO ASSY	Y00R5200	8	23	1A09
129698-7714	BRUSH(+)	Y00R5200	18	6	1B05	171353-26081	GASKET, HO-P BRACKET	Y00R5200	8	29	1A09
129698-7715	SPRING, BRUSH	Y00R5200	18	8	1B05				24	30	1B12
129698-7716	COVER ASSY, REAR	Y00R5200	18	9	1B05	171353-26200	GEAR W/SHAFT	Y00R5200	8	25	1A09
129698-7717	REAR COVER METAL	Y00R5200	18	10	1B05	171353-61700	SPRING, GOVERNOR	Y00R5200	14	93	1A16
129698-7718	BRACKET	Y00R5200	18	17	1B05	171375-39601	DUMPER ASSY	Y00R5200	10	43	1A11
129698-7719	BRACKET	Y00R5200	18	18	1B05	171420-01600	HOUSING, FLYWHEEL	Y00R5200	3	4	1A04
129698-7720	INTERNAL GEAR	Y00R5200	18	19	1B05	171420-21580	FLYWHEEL ASSY	Y00R5200	9	14	1A10
129698-7721	BRACKET	Y00R5200	18	20	1B05	171420-21590	FLYWHEEL ASSY	Y00R5200	9	22	1A10
129698-7722	PINION ASSY	Y00R5200	18	21	1B05	171420-34800	DIPSTICK	Y00R5200	10	16	1A11
129698-7723	SHAFT (PINION)	Y00R5200	18	22	1B05	171420-49010	PIPE (A), C. WATER	Y00R5200	12	32	1A13
129698-7724	GEAR	Y00R5200	18	15	1B05	171420-49020	PIPE (B), C. WATER	Y00R5200	12	34	1A13
129698-7725	WASHER SET	Y00R5200	18	16	1B05	171440-49010	PIPE (A), C. WATER	Y00R5200	12	33	1A13
129698-7726	HOUSING ASSY, GEARS	Y00R5200	18	11	1B05	171488-61200	WEIGHT ASSY, GOV.	Y00R5200	14	15	1A16
129698-7727	LEVER, SHIFT	Y00R5200	18	13	1B05	171488-61440	LEVER, CONTROL	Y00R5200	14	90	1A16
129698-7728	COVER ASSY, DUST	Y00R5200	18	14	1B05	174307-51170	RETAINER A	Y00R5200	13	23	1A14
129795-01780	SEAL OIL	Y00R5200	3	24	1A04	174307-51560	PINION	Y00R5200	13	66	1A14
129795-01800	SEAL, OIL	Y00R5200	2	4	1A03	174307-51700	SHIM SET	Y00R5200	14	41	1A16
129795-01950	PIPE, KNOCK L=18	Y00R5200	2	10	1A03	194180-51640	CLAMP, WIRE HARNESS	Y00R5200	23	43	1B11
129795-02411	BUSH, CAMSHAFT	Y00R5200	1	31	1A03	22117-04000	WASHER 4	Y00R5200	14	73	1A16
129795-11120	SPRING, VALVE	Y00R5200	4	15	1A05	22117-05000	WASHER 5	Y00R5200	23	39	1B11
129795-11180	RETAINER, SPRING	Y00R5200	5	14	1A06	22117-06000	WASHER 6	Y00R5200	17	21	1B04
129795-21661	WASHER	Y00R5200	5	15	1A06	22137-08000	WASHER 8, POLISHED	Y00R5200	12	15	1A13
129795-49551	GASKET, (NON-ASB.)	Y00R5200	11	15	1A10	22137-10000	WASHER 10, POLISHED	Y00R5200	17	22	1B04
129900-07900	LIFTER, ENGINE	Y00R5200	24	20	1A12	22190-060003	WASHER, SEAL 6	Y00R5200	14	74	1A16
129900-12530	COVER ASSY	Y00R5200	4	2	1A05	22190-080002	SEAL WASHER 8S	Y00R5200	2	13	1A03
144626-91560	TACHO UNIT	Y00R5200	6	20	1A07	22190-080003	SEAL WASER 8	Y00R5200	2	37	1A03
170064-67210	LABEL, HANDLE	Y00R5200	10	44	1A11	22190-100002	SEAL WASHER 10S	Y00R5200	10	40	1A03
170121-91100	PANEL ASSY, INSTRUM.	Y00R5200	17	20	1B04	22190-120002	SEAL WASHER 12	Y00R5200	14	75	1A16
171010-77850	THERMOMETER, C-U.	Y00R5200	23	15	1B11				14	76	1A16
171048-67010	REGULATOR ASSY	Y00R5200	23	20	1B11	22190-160002	SEAL WASHER 16S	Y00R5200	15	87	1B02
171048-67130	LEVER	Y00R5200	17	5	1B04	22190-220002	SEAL WASHER 22S	Y00R5200	16	29	1B03
171048-67140	STOPPER	Y00R5200	17	14	1B04	22190-050000	SPRING WASHER 5	Y00R5200	13	97	1A15
171051-01921	CASE, OIL-SEAL	Y00R5200	22	3	1B10	22217-060000	SPRING WASHER 6	Y00R5200	23	40	1B11
171080-91100	TACHOMETER	Y00R5200	1	7	1A02	22217-080000	SPRING WASHER 8	Y00R5200	23	49	1B11
171082-91100	TACHOMETER	Y00R5200	23	25	1B11	22217-100000	SPRING WASHER 10	Y00R5200	12	16	1A13
171085-67100	BRACKET, GEAR	Y00R5200	23	26	1B11				17	23	1B04
171085-67110	SHAFT, DRIVING	Y00R5200	17	11	1B04	22217-120000	SPRING WASHER	Y00R5200	8	16	1A09

PART NO.	DESCRIPTION	CATALOG NO.	GRP. REF. NO.	LOC. NO.	PART NO.	DESCRIPTION	CATALOG NO.	GRP. REF. NO.	LOC. NO.
22217-120000	SPRING WASHER	Y00R5200	13 11	1A15	24341-000280	O-RING 1A S-28.0	Y00R5200	14	80
22252-000260	CIRCLIP 26	Y00R5200	22 11	1B10	24341-000500	O-RING 1A S-50.0	Y00R5200	4	49
22272-000050	CIRCLIP E- 5	Y00R5200	9 38	1A10				5	49
22287-120000	WASHER 12	Y00R5200	17 24	1B04	24421-456209	SEAL TC 456209, OIL	Y00R5200	24	24
22351-020006	SPRING PIN 2X 6	Y00R5200	14 77	1A16	24421-557209	SEAL TC55 72 09, OIL	Y00R5200	22	7
22351-040010	SPRING PIN 4X10	Y00R5200	17 16	1B04	24754-320020	CUP 32X11/4, GREASE	Y00R5200	22	8
22351-050010	SPRING PIN 5X10	Y00R5200	8 8	1A10	25132-003700	V-BELT A37	Y00R5200	22	9
22351-060012	SPRING PIN 6X12	Y00R5200	13 100	1A15	25132-003800	V-BELT (A-38)	Y00R5200	11	24
			4 24	1A05				11	25
22372-040000	SNAP PIN 4	Y00R5200	5 23	1A06	26014-060122	BOLT M 6X 12	Y00R5200	12	48
22411-200150	PIN 2.0* 15	Y00R5200	14 78	1A16	26014-060302	BOLT W/WASHER 6X 30	Y00R5200	11	32
22512-070140	KEY 7X 14	Y00R5200	17 17	1B04	26014-080302	BOLT M 8X 30	Y00R5200	7	33
22512-100700	KEY 10X 70	Y00R5200	8 8	1A09	26014-080702	BOLT W/WASHER M8X 70	Y00R5200	16	16
23000-060000	CLAMP 60	Y00R5200	9 6	1A10	26022-050102	SCREW M 5X 10	Y00R5200	13	103
23000-080000	CLAMP 80	Y00R5200	22 22	1B10	26022-050122	SCREW M 5X 12	Y00R5200	13	103-1
23010-038000	CLAMP 38	Y00R5200	6 12	1A07	26022-060162	SCREW M 6X 16	Y00R5200	13	104
23061-070230	PIPE 7X 230	Y00R5200	6 13	1A07	26033-060202	SCREW M 6X 20	Y00R5200	23	46
23414-120016	GASKET 12	Y00R5200	12 35	1A13	26106-060102	BOLT M 6X 10 PLATED	Y00R5200	14	81
23871-010000	PLUG P11/8, SCREW	Y00R5200	14 105	1B01				82	1A16
23871-030000	PLUG P13/8, SCREW	Y00R5200	1 11	1A02				83	1A16
			1 15	1A02				25	1B04
23876-010000	PLUG P11/8, SCREW	Y00R5200	11 12	1A12	26106-060162	BOLT M 6X 14 PLATED	Y00R5200	23	38
23876-030000	PLUG P13/8, SCREW	Y00R5200	1 15-1	1A02	26106-060162	BOLT M 6X 16 PLATED	Y00R5200	14	84
			1 11-1	1A02				27	1A03
23887-100002	PLUG 10	Y00R5200	11 12-1	1A12	26106-060202	BOLT M 6X 20 PLATED	Y00R5200	31	1A03
24101-063034	BALL BEARING	Y00R5200	14 79	1A16	26106-060302	BOLT M 6X 30 PLATED	Y00R5200	14	85
24105-060064	BALL BEARING	Y00R5200	13 101	1A15	26106-060402	BOLT M 6X 40 PLATED	Y00R5200	11	31
24107-062054	BALL BEARING	Y00R5200	8 28	1A09	26106-080102	BOLT M 8X 10 PLATED	Y00R5200	7	17
24151-222090	ROLLER BEARING	Y00R5200	9 27	1A10	26106-080122	BOLT M 8X 12 PLATED	Y00R5200	7	34
24311-000120	O-RING 1A P 12-0	Y00R5200	22 6	1B10				2	17
			4 52	1A05				12	17
			5 52	1A06	26106-080142	BOLT M 8X 14 PLATED	Y00R5200	23	7
24311-000150	O-RING 1A P-15.0	Y00R5200	24 26	1B12				7	35
24311-000160	O-RING 1A P-16.0	Y00R5200	14 108	1B01	26106-080162	BOLT M 8X 16 PLATED	Y00R5200	1	32
			2 15	1A03				2	18
24311-000320	O-RING 1A P-32.0	Y00R5200	10 31	1A11				19	1A03
			16 11	1B03				38	1A03
			24 27	1B12				41	1A03
			2 16	1A03				18	1A04
			4 48	1A05				4	1A05
			5 48	1A06				50	1A05
24311-240100	O-RING 1A P-10A	Y00R5200	24 25	1B12				5	1A06
24321-000300	O-RING G30	Y00R5200	16 12	1B03				54	1A06
			11 21	1A12				11	1A12
24321-000650	O-RING 1A G-65.0	Y00R5200	24 32	1B12				12	1A13
24321-000850	O-RING 1A G-85.0	Y00R5200	16 13	1B03				41	1A13
			8 21	1A09				17	27
24341-000160	O-RING 1A S-16.0	Y00R5200	24 29	1B12	26106-080182	BOLT M 8X 18 PLATED	Y00R5200	23	47
24341-000240	O-RING 1A S-24.0	Y00R5200	13 102	1A15				6	15
			2 26	1A03	26106-080202	BOLT M 8X 20 PLATED	Y00R5200	2	16
			30 30	1A03				2	20
24341-000250	O-RING 1A S-25.0	Y00R5200	24 28	1B12				6	6
			3 17	1A04				10	32

PART NO.	DESCRIPTION	CATALOG NO.	GRP. REF. NO.	LOC NO.	PART NO.	DESCRIPTION	CATALOG NO.	GRP. REF. NO.	LOC. NO.
26106-080202	BOLT M 8X 20 PLATED	Y00R5200	11 19	1A12	26450-060252	BOLT M 6X 25	Y00R5200	10 15	1A11
			12 19	1A13	26450-080282	BOLT M 8X 28	Y00R5200	7 30	1A09
			22 10	1B10	26557-040352	SCREW M 4X 35	Y00R5200	7 22	1A08
26106-080222	BOLT M 8X 22 PLATED	Y00R5200	9 28	1A10	26657-100002	CAP NUT M10	Y00R5200	17 26	1B04
26106-080252	BOLT M 8X 25 PLATED	Y00R5200	3 19	1A04	26687-120002	CAP NUT M12	Y00R5200	14 96	1B01
			4 39	1A05	26716-050002	NUT M 5	Y00R5200	23 41	1B11
			5 38	1A06	26716-060002	NUT 6	Y00R5200	13 106	1A15
26106-080352	BOLT M 8X 35 PLATED	Y00R5200	12 20	1A13	26716-100002	NUT 10	Y00R5200	12 23	1A13
			3 26	1A04	26716-120002	NUT 12	Y00R5200	8 17	1A09
			6 3	1A07				13 112	1A15
			9 9	1A07	26756-050002	LOCK NUT M 5 PLATED	Y00R5200	17 30	1B04
26106-080402	BOLT M 8X 40 PLATED	Y00R5200	10 25	1A11	26756-060002	LOCK NUT 6	Y00R5200	14 86	1A16
26106-080452	BOLT M 8X 45 PLATED	Y00R5200	7 4	1A08	26756-080002	LOCK NUT M 8 PLATED	Y00R5200	4 38	1A05
			2 21	1A03				5 37	1A06
			3 20	1A04				23 50	1B11
26106-080502	BOLT M 8X 50 PLATED	Y00R5200	8 14	1A09	26756-100002	LOCK NUT M10 PLATED	Y00R5200	12 24	1A13
			4 40	1A05	26776-120002	LOCK NUT M12 PLATED	Y00R5200	14 87	1A16
			5 39	1A06	26921-050122	SCREW M 5X 12	Y00R5200	17 19	1B04
26106-080552	BOLT M 8X 55 PLATED	Y00R5200	21 33	1B09	27231-500000	PLUG 50	Y00R5200	1 12	1A02
26106-080602	BOLT M 8X 60 PLATED	Y00R5200	2 22	1A03	27241-120000	PLUG 12	Y00R5200	1 13	1A02
26106-080802	BOLT M 8X 80 PLATED	Y00R5200	11 13	1A12	27241-300000	PLUG 30	Y00R5200	1 14	1A02
			6 10	1A07	27241-400000	PLUG 40	Y00R5200	4 12	1A05
			7 26	1A08				5 11	1A06
26106-100122	BOLT M10X 12 PLATED	Y00R5200	23 48	1B11	27310-080000	COTTER 8	Y00R5200	6 17	1A06
26106-100202	BOLT M10X 20 PLATED	Y00R5200	12 3	1A13				5 16	1A06
26106-100222	BOLT M10X 22 PLATED	Y00R5200	22 12	1B10	28110-100120	WRENCH 10X12	Y00R5200	24 38	1B12
26106-100302	BOLT M10X 30 PLATED	Y00R5200	12 21	1A13	28110-140170	WRENCH 14X17	Y00R5200	24 39	1B12
26106-100452	BOLT M10X 45 PLATED	Y00R5200	8 22	1A09	28110-190520	WRENCH 19X22	Y00R5200	24 40	1B12
26106-100602	BOLT M10X 60 PLATED	Y00R5200	7 18	1A08	28210-000140	FEEDER, OIL	Y00R5200	24 41	1B12
26116-050302	BOLT M 5X 30 PLATED	Y00R5200	13 105	1A15	719609-92610	GASKET SET (NON-ASB.)	Y00R5200	24 1	1B12
26116-060082	BOLT 6X8	Y00R5200	17 18	1B04	719609-92620	GASKET SET (NON-ASB.)	Y00R5200	24 2	1B12
26116-120252	BOLT M12X 25 PLATED	Y00R5200	18 24	1B05	719810-01500	HOUSING ASSY, GEAR	Y00R5200	2 1	1A03
			19 35	1B06	719810-53100	VALVE ASSY, F. INJECT	Y00R5200	15 2	1B02
			20 31	1B07	721400-92102	TOOL ASSY	Y00R5200	24 35	1B12
26206-100252	BOLT M10X25	Y00R5200	3 6	1A04	729402-01540	SUMP ASSY, LUB OIL	Y00R5200	3 8	1A04
26206-100302	BOLT M10X30	Y00R5200	3 7	1A04	729402-11650	ARM ASSY, ROCKER	Y00R5200	4 33	1A05
26216-060202	STUD M 6X 20 PLATED	Y00R5200	22 13	1B10	729402-14580	CAMSHAFT ASSY	Y00R5200	8 3	1A09
			4 11	1A05	729402-23100	ROD ASSY, CONNECTING	Y00R5200	9 39	1A10
			5 10	1A06	729407-01561	BLOCK ASSY, CYLINDER	Y00R5200	1 1	1A02
26216-080402	STUD M 8X 40 PLATED	Y00R5200	7 6	1A08	729503-53100	VALVE ASSY, F. INJECT	Y00R5200	15 1	1B02
26216-080802	STUD M 8X 80 PLATED	Y00R5200	7 27	1A08	729609-51350	PUMP ASSY, F. INJECT.	Y00R5200	13 1	1A14
26226-080182	STUD M 8X 18 PLATED	Y00R5200	4 37	1A05	729609-51450	PUMP ASSY, F. INJECT	Y00R5200	13 3	1A14
			5 36	1A06	729609-51459	PUMP ASSY, F. INJECT	Y00R5200	13 4	1A14
26347-040002	U-NUT M 4	Y00R5200	7 19	1A08	729609-51490	PUMP ASSY, F. INJECT	Y00R5200	13 5	1A14
26347-060002	U NUT 6	Y00R5200	7 20	1A08	729609-53100	VALVE ASSY, F. INJECT	Y00R5200	15 3	1B02
26366-060002	NUT M 6	Y00R5200	4 25	1A05	729619-51310	PUMP W/60V. & F. PUMP	Y00R5200	13 2	1A14
			5 24	1A06	933110-00100	SWITCH ASSY, STARTER	Y00R5200	23 35	1B11
26366-080002	NUT M 8	Y00R5200	2 24	1A03	933110-00301	KEY ASSY	Y00R5200	23 35	1B11
			7 3	1A08	977770-01212	GASKET, LIQUID	Y00R5200	2 9	1A03
			12 22	1A13				3 27	1A04
26366-100002	NUT M10	Y00R5200	14 88	1A16				24 34	1B12
			23 44	1B11					
			7 21	1A08					



YANMAR DIESEL ENGINE CO., LTD.

YANMAR OSAKA PARTS DEPOT
2-3-27, Chibune, Nishiyodogawa-ku,
Osaka 555-0013, Japan
Facsimile: 06-6474-8771

OVERSEAS OPERATIONS DIVISION
1-32, Chayamachi, Kita-ku,
Osaka 530-8311, Japan
Facsimile: 06-6377-1243
Cable: YANMAR OSAKA

HEAD OFFICE
1-32, Chayamachi, Kita-ku,
Osaka 530-8311, Japan
Facsimile: 06-6372-4005
Cable: YANMAR OSAKA
