

YANMAR DIESEL ENGINE

YANMAR

PARTS CATALOG



MODEL

**4TNE94-SA
4TNE94-G1A**

Published

June., 1996

000Y00R4570

PREFACE

1. This Parts Catalog carries all parts incorporated in YANMAR Model 4TNE94 - SA & 4TNE94 - G1A engines manufactured since June, 1996
2. Each illustration corresponds to the parts list on the following page.
3. When ordering parts, clearly write down the engine model and serial number, as well as the name and number of each part in your order sheet. This will help insure reliable delivery of the parts you have ordered.

How to read this Parts Catalog.

1. Parts mentioned in this Parts Catalog may not necessarily be standard equipping parts.
2. Parts change may be made without prior notice.
3. Form of this Parts Catalog.

Y00F2161 (1990.10.23)

(29) FUEL INJECTION PUMP (W/BOOST)

		A= 4JH-DT		D= 4JH-DTZA	
		B= 4JH-DTZ		E= 4JH-DTZY	
		C= 4JH-DTZP		F=	

REF.No.	LEV. 0	PARTS No.	DESCRIPTION	Qty						I	R	K
				A	B	C	D	E	F			
1	•	729595-51390	FULE INJECTION PUMP	1	1	1	1	1	1			
1-1	••	729595-51391	FULE INJECTION PUMP	1	1	1	1	1	1			
		(A=E00185) (B=E00200)										
3	••	26022-060162	SCREW M 6X 16	9	9	9	9	9				
I 3-1	••	26022-060162	SCREW M 6X 16	4	4	4	4	4				K
		(A=E00185) (B=E00200) (C=E00156) (D=E00156) (E=E00156)										
4	••	129470-51040	CAMSHAFT	1	1	1	1	1				
5	••	122710-51050	BEARING ROLLER	2	2	2	2	2				
6	••	129470-51060	RETAINER	1	1	1	1	1				

Remarks

(1) BOOST COMPEMSATOR TYPE. OPTIONAL PART, TO E/# 00155,(4JH - DT,4JH - DTZ)

① Ref. No.

The Ref. No. in the list may not be accord with the Ref. No. on illustration.

(Ex.) Illustration No. List head No.

1 1 (Befor change) → 1 -1 (After change)

When interchangeable symbol N, R, and K, illustrations for new parts are sometimes omitted.

② Lev.(Level)

Indication and Meaning of Level

Level : Hereunder is given the relation among the number of dots(•),the level and the nominal parent- child relationship.

-Parent parts(Assembly parts)
-Child parts included in "•" (Semi- Assembly parts,component parts of Assembly parts.)
-Child parts included in "••", Grand- child parts in terms of "•".
(Compoment parts of Semi- Assembly parts.)

Note) A parts of non- sale parts are illustrated but not listed.

③ Change Mark

Change Mark "I" is given to the part for which a design change was made at this time.

The design change was not shown in the last published Parts Catalog.

④ Interchangeability Mark

In the case where a part change took place,one of the following interchangeability marks is indicated for that part.

Symbol	interchangeability	Contents note
N	Old New	New Part is interchangeable for Old Part but not interchangeable conversely.
Q	Old New	New Part is not interchangeable for Old Part but interchangeable conversely.
R	Old New	New Part is interchangeable for Old Part and vice versa.
S	Old New	New Part is not interchangeable for Old Part and vice versa.
W		Part newly added.
Z		Part discontinued.
F		Not interchangeable single part but interchangeable by set of the related parts.
K		Changed only in quantity used.

⑤ Effective Machine No.

When a part is changed,Effective Machine No. of a Model for which the part is applicable is indication in each column of (A)- (F).

Product Symbol	Product No.	Product Symbol	Product No.
C	Clutch No. Compressor No.	M	Machine No.
D	Drive No.	T	Tractor No.
E	Engine No.	Note1) ※	Date

Note1) Date may follow the symbol in some cases. (Ex.) ※ 1996.01

Note2) As far as engine models shown by "XXX" are concerned, the modification of the parts could not be predicted or the engine models themselves could not be identified.

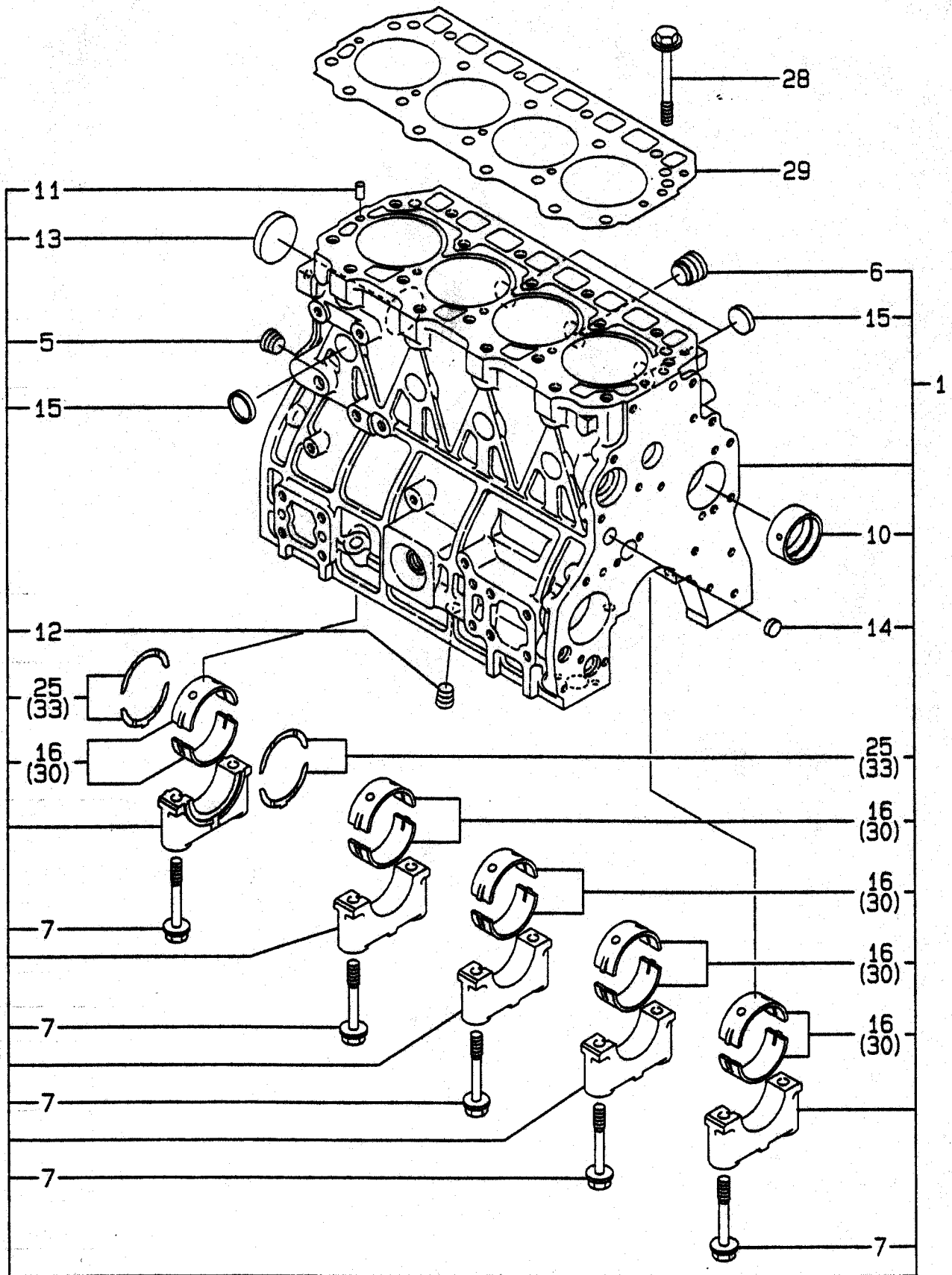
Note3) (A=E00185) means that the design change on the part has been effective for the model at the column (A)(in this case, for 4JH- DT) on and from E(Engine Serial Number) 00185.

⑥ Remarks Mark

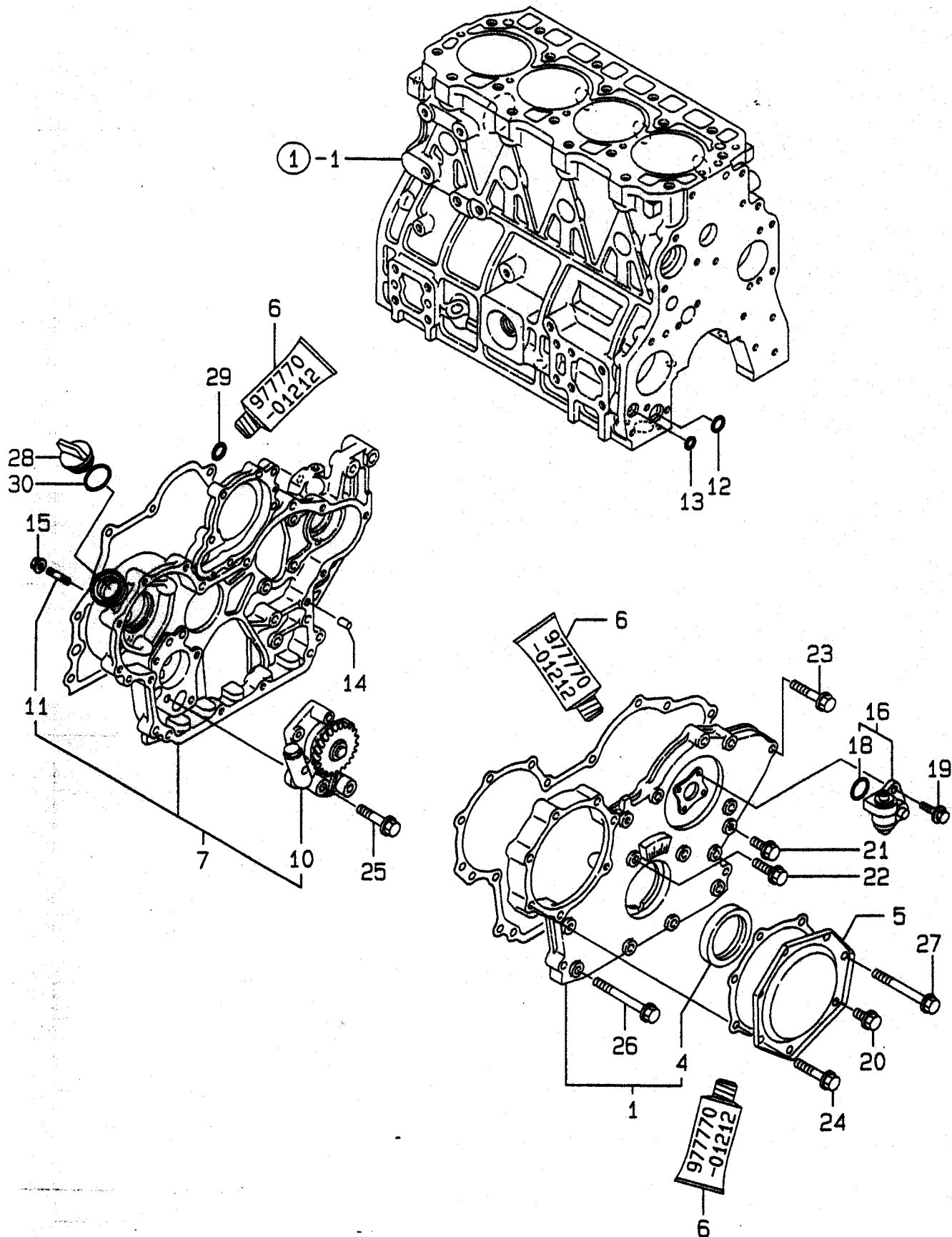
Figures or alphabets (Symbols) are entered in the remark column.

The comments(remarks)on the pertinent parts are indicated in the lower part of the list by the same symbols as those stated above.

1, CYLINDER BLOCK



2, GEAR HOUSING



(2) GEAR HOUSING

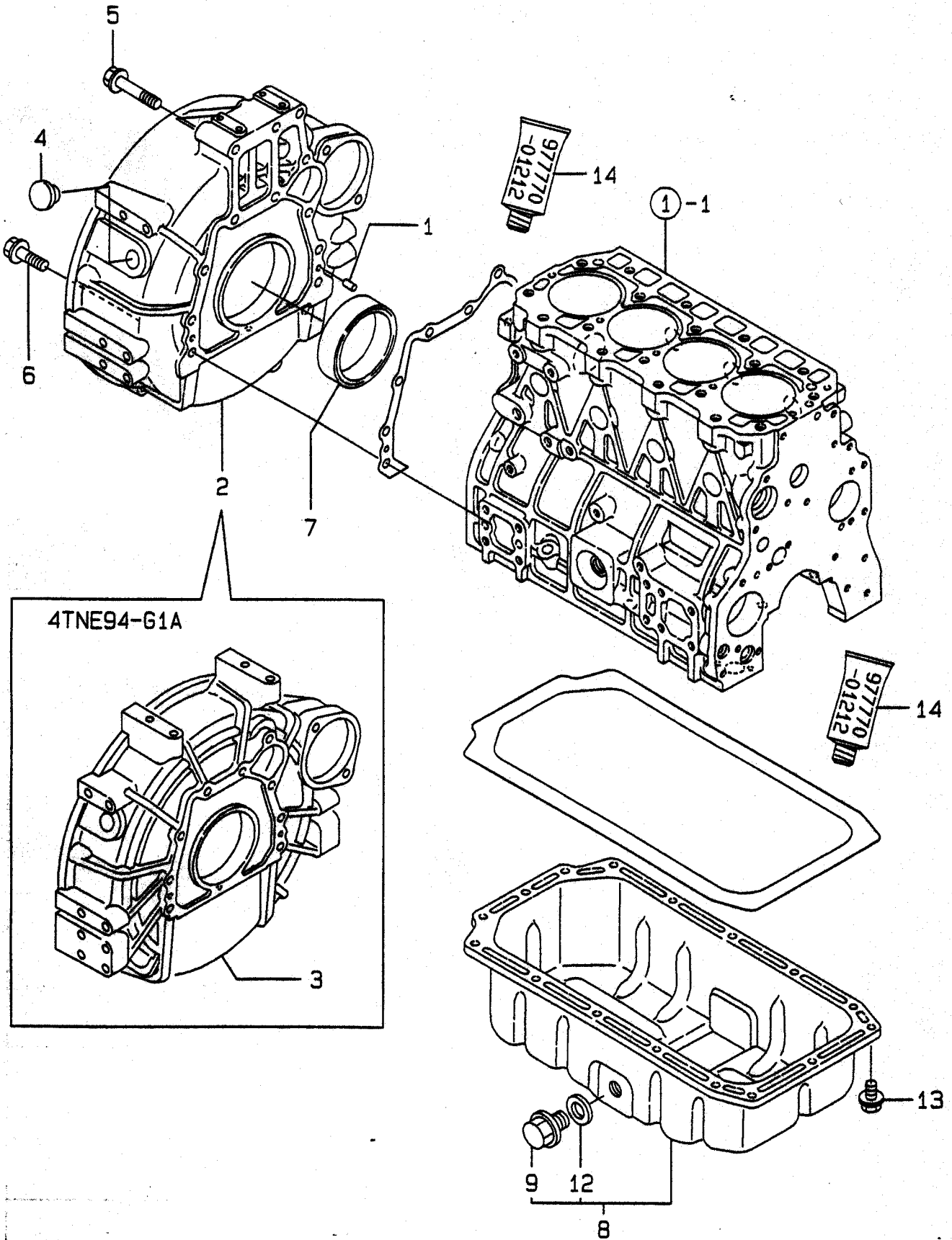
A= 4TNE94-SA	D=
B= 4TNE94-G1A	E=
C=	F=

REF.No.	LEV.	O	PARTS No.	DESCRIPTION	Q'ty						I	R	
					A	B	C	D	E	F			
1	.		729900 - 01570	COVER, GEAR HOUSING	1	1							
4	..		129900 - 01780	SEAL, OIL	1	1							
5	.		129900 - 01740	COVER, F.I. PUMP	1	1							
6	.		977770 - 01212	GASKET, LIQUID	1	1							1
7	.		129900 - 01820	HOUSING COMP, GEAR	1	1							
10	..		129900 - 32000	PUMP ASSY, LUB. OIL	1	1							
11	..		26216 - 100302	STUD BOLT	4	4							
12	.		129900 - 32030	O - RING P20	1	1							
13	.		129900 - 32040	O - RING P14	1	1							
14	.		22312 - 080160	PARALLEL PIN 8X 16	4	4							
15	.		26366 - 100002	NUT M10	4	4							
16	.		129150 - 91400	GEAR UNIT, TACHOMETER	1	1							
18	..		24341 - 000240	O - RING 1A S - 24.0	1	1							
19	.		26106 - 060162	BOLT M 6X 16 PLATED	2	2							
20	.		26106 - 080162	BOLT M 8X 16 PLATED	1	1							
21	.		26106 - 080202	BOLT M 8X 20 PLATED	3	3							
22	.		26106 - 080302	BOLT M 8X 30 PLATED	1	1							
23	.		26106 - 080402	BOLT M 8X 40 PLATED	5	5							
24	.		26106 - 080402	BOLT M 8X 40 PLATED	5	5							
25	.		26106 - 080452	BOLT M 8X 45 PLATED	3	3							
26	.		26106 - 080702	BOLT M 8X 70 PLATED	6	6							
27	.		26106 - 080702	BOLT M 8X 70 PLATED	1	1							
28	.		124160 - 01751	CAP, LUB.OIL SUPPLY	1	1							
29	.		24311 - 000070	O - RING 1A P - 7.0	1	1							
30	.		24311 - 000320	O - RING 1A P - 32.0	1	1							

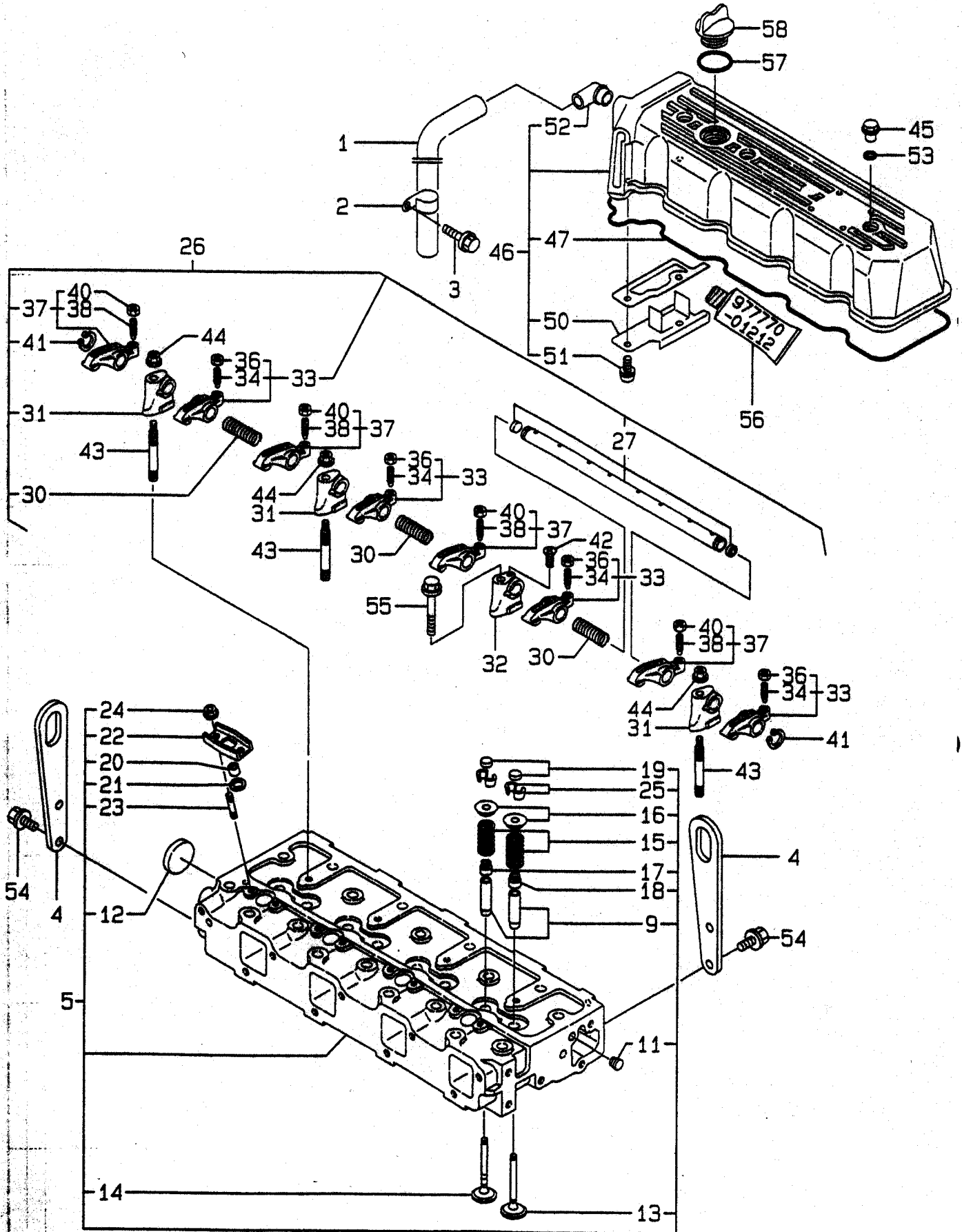
Remarks

(1) OPTIONAL PART.

3, FLYWHEEL HOUSING & OIL SUMP



4, CYLINDER HEAD & BONNET

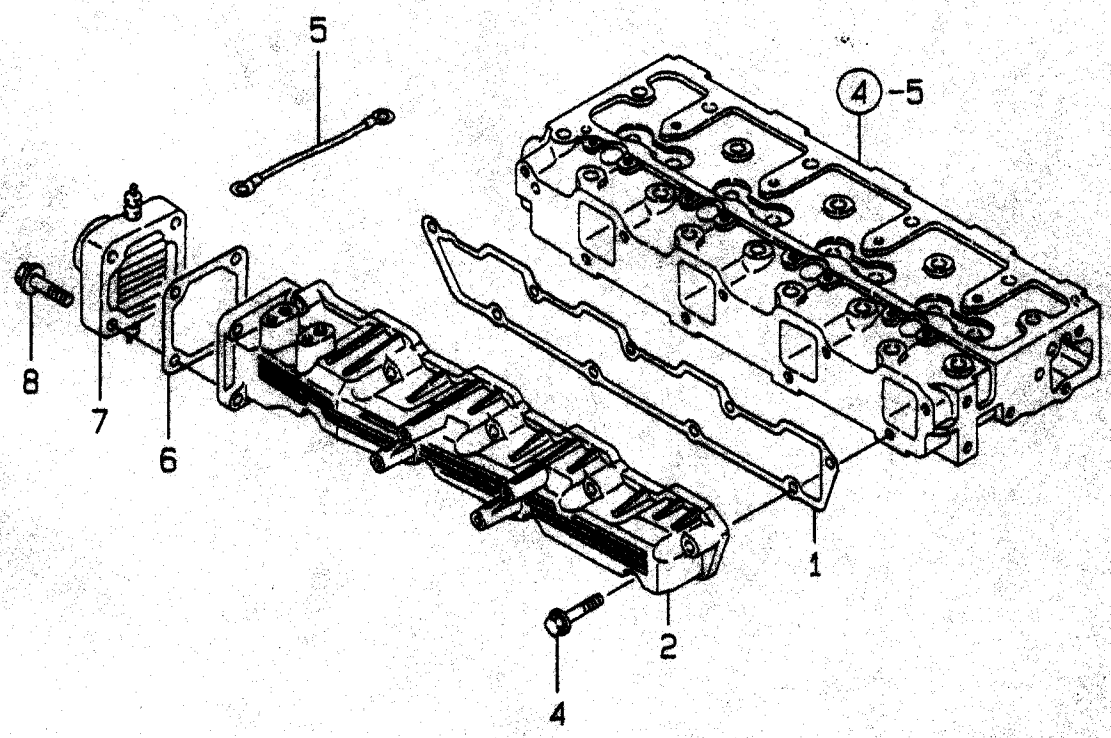


(4) CYLINDER HEAD & BONNET

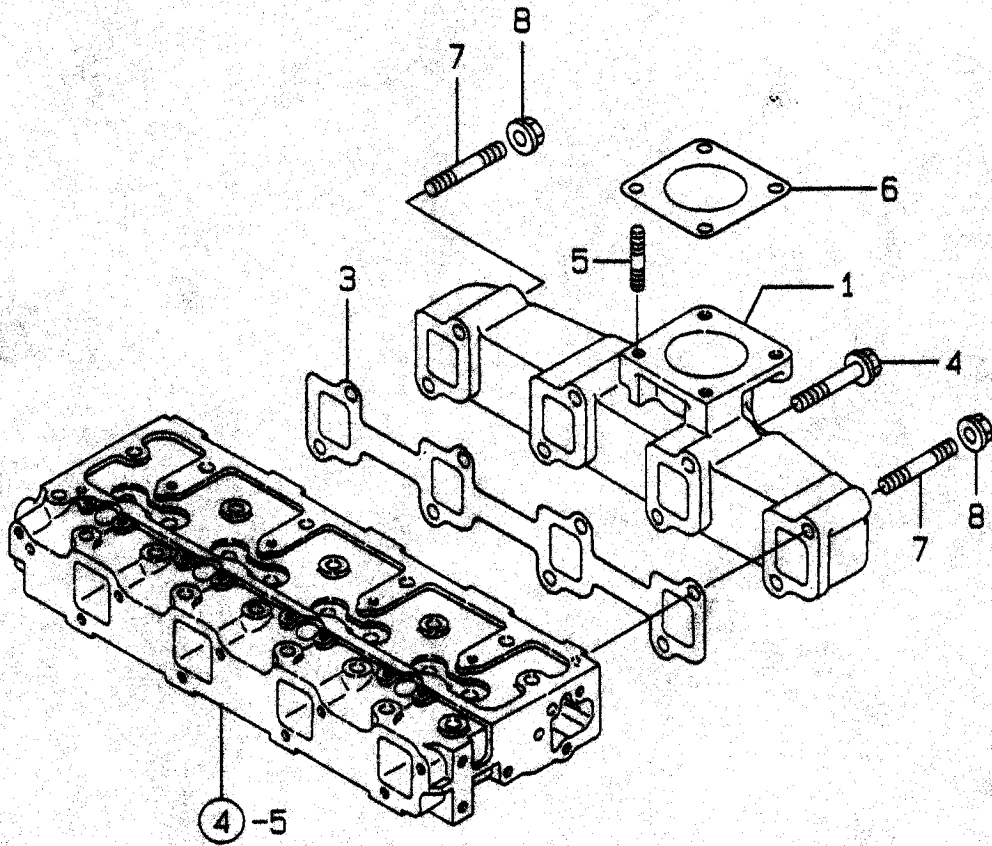
A= 4TNE94-SA	D=
B= 4TNE94-G1A	E=
C=	F=

REF.No.	LEV.	PARTS No.	DESCRIPTION	Q'ty						I	R
				A	B	C	D	E	F		
1	.	119006 - 03090	HOSE, BREATHER	1	1						
2	.	129150 - 03100	RETAINER	1	1						
3	.	26106 - 080122	BOLT M 8X 12 PLATED	1	1						
4	.	129900 - 07900	LIFTER, ENGINE	2	2						
5	.	729900 - 11100	HEAD ASSY, CYLINDER	1	1						
9	..	129150 - 11810	GUIDE, VALVE	8	8						1
11	..	23871 - 005000	PLUG PT 1/16	1	1						
12	..	27241 - 400000	PLUG 40	1	1						
13	..	129900 - 11100	VALVE, SUCTION	4	4						
14	..	129900 - 11110	VALVE, EXHAUST	4	4						
15	..	129900 - 11120	SPRING, VALVE	8	8						
16	..	129795 - 11180	RETAINER, SPRING	8	8						
17	..	121400 - 11340	SEAL, VALVE STEM	4	4						
18	..	124460 - 11340	SEAL, VALVE STEM	4	4						
19	..	129150 - 11370	CAP, VALVE	8	8						
20	..	119625 - 11870	PROTECTOR, NOZZLE	4	4						
21	..	119625 - 11880	SEAT, NOZZLE	4	4						
22	..	119625 - 11900	RETAINER	4	4						
23	..	26216 - 060202	STUD M 6X 20 PLATED	8	8						
24	..	26366 - 060002	NUT M 6	8	8						
25	..	27310 - 080000	COTTER 8	16	16						
26	.	129900 - 11200	SUPPORT ASY,ROCK.ARM	1	1						
27	..	129900 - 11240	SHAFT ASSY,ROCK. ARM	1	1						
30	..	129900 - 11280	SPRING	3	3						
31	..	129900 - 11510	SUPPORT	3	3						
32	..	129900 - 11520	SUPPORT	1	1						
33	..	129900 - 11650	ARM KIT, SUC. ROCKER	4	4						
34	...	129150 - 11230	SCREW, VALVE	4	4						
36	...	129150 - 11750	NUT M8XP1.0	4	4						
37	..	129900 - 11660	ARM KIT, EXH. ROCKER	4	4						
38	...	129150 - 11230	SCREW, VALVE	4	4						
40	...	129150 - 11750	NUT M8XP1.0	4	4						
41	..	22242 - 000180	CIRCLIP 18	2	2						
42	..	26577 - 040122	SCREW M 4 X 12	1	1						
43	.	129900 - 11530	STUD BOLT	3	3						
44	.	26366 - 100002	NUT M10	3	3						
45	.	124160 - 11360	KNOB	3	3						
46	.	129900 - 11350	BONNET ASSY	1	1						
47	..	129900 - 11310	GASKET, BONNET	1	1						
50	..	129900 - 11600	PLATE	1	1						
51	..	26022 - 050122	SCREW M 5X 12	2	2						
52	..	119100 - 11330	JOINT, BREATHER	1	1						
53	.	24311 - 000120	O - RING 1A P 12.0	3	3						
54	.	26106 - 080162	BOLT M 8X 16 PLATED	4	4						
55	.	26106 - 100652	BOLT M10X 65 PLATED	1	1						

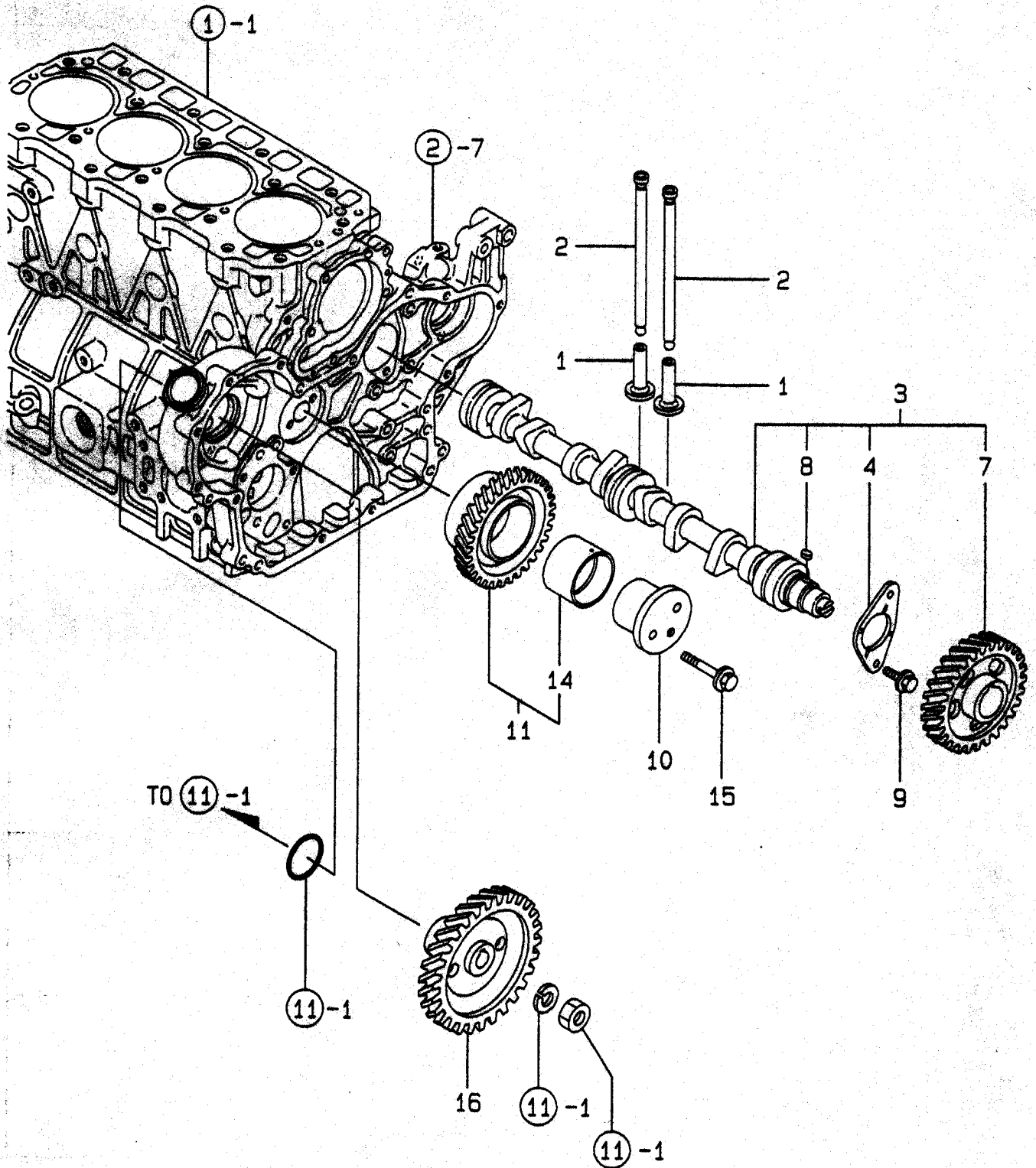
5, SUCTION MANIFOLD



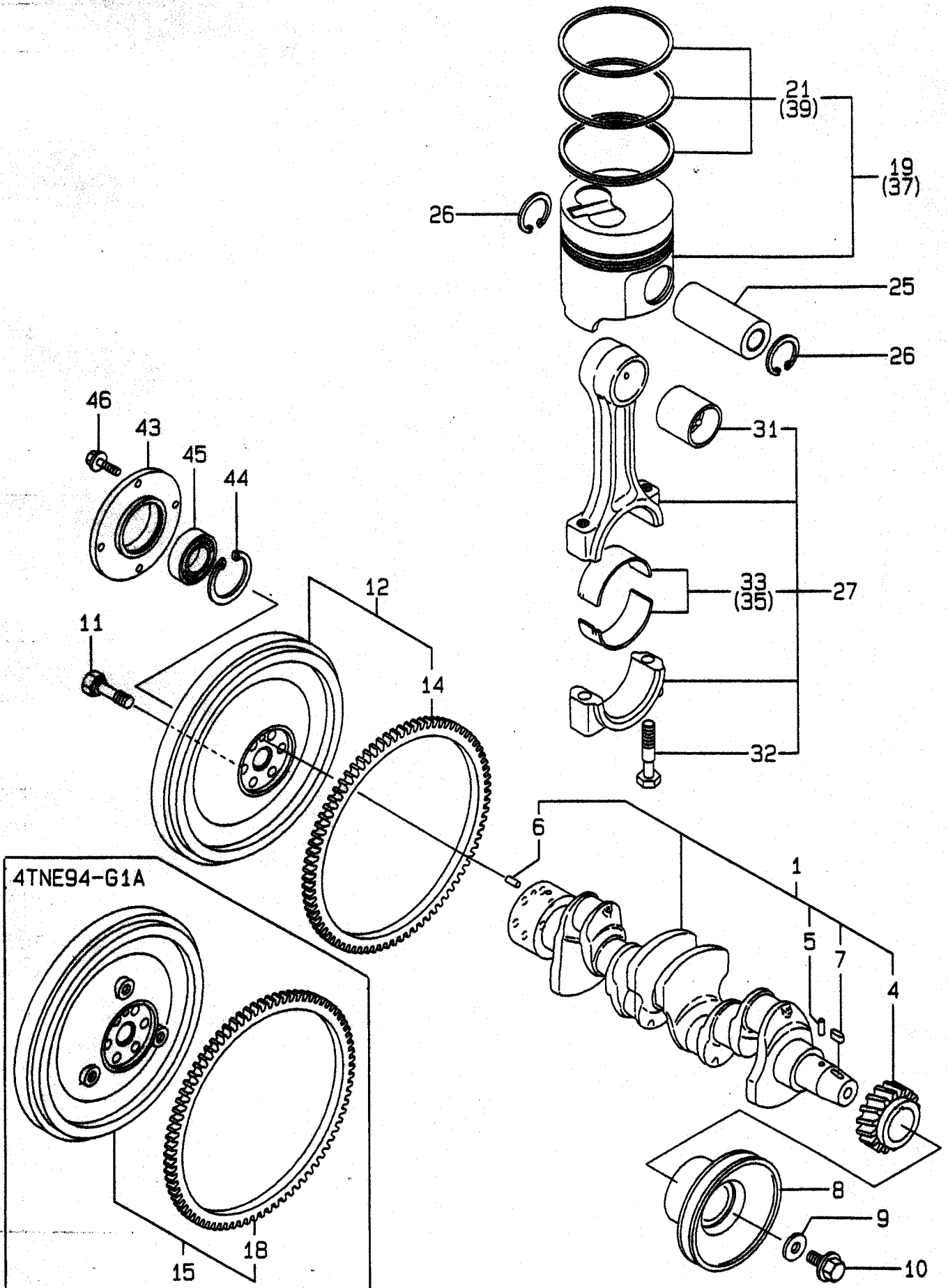
6, EXHAUST MANIFOLD



7, CAMSHAFT & DRIVING GEAR



8, CRANKSHAFT & PISTON



(8) CRANKSHAFT & PISTON

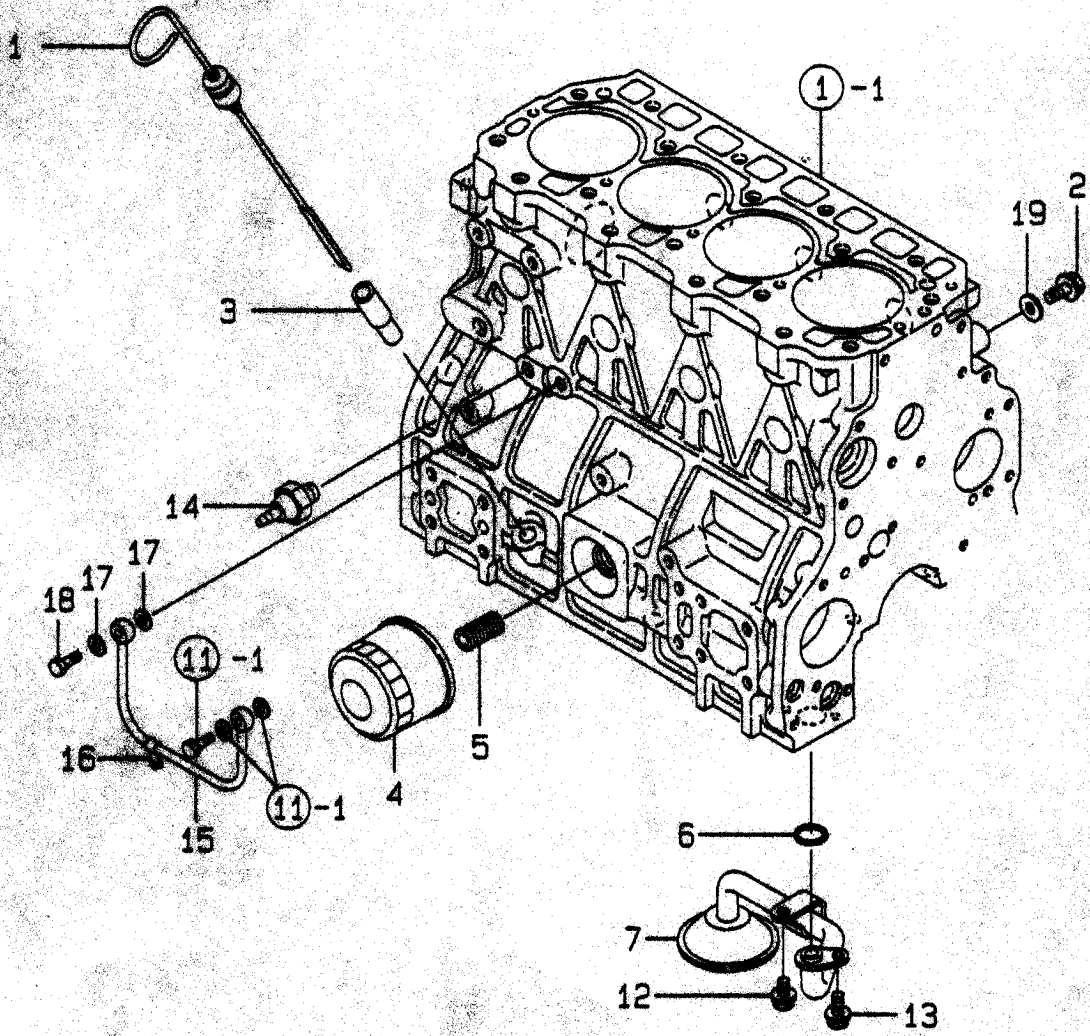
A= 4TNE94-SA	D=
B= 4TNE94-G1A	E=
C=	F=

REF.No.	LEV.	0	PARTS No.	DESCRIPTION	Q'ty						I	R
					A	B	C	D	E	F		
1	.		129900 - 21000	CRANKSHAFT COMP	1	1						
4	..		129900 - 21200	GEAR, CRANKSHAFT	1	1						
5	..		121850 - 21290	PARALLEL PIN	1	1						
6	..		121850 - 21920	PARALLEL PIN 10X22.	1	1						
7	..		22512 - 070140	KEY 7X 14	1	1						
8	.		129900 - 21670	V - PULLEY	1	1						
9	.		129900 - 21640	WASHER	1	1						
10	.		121850 - 21680	BOLT, V - PULLEY	1	1						
11	.		121850 - 21130	BOLT, FLYWHEEL	6	6						
12	.		129955 - 21590	FLYWHEEL ASSY	1							
14	..		129900 - 21600	GEAR, RING	1							
15	.		129902 - 21580	FLYWHEEL ASSY		1						
18	..		127410 - 21480	RING GEAR		1						
19	.		129900 - 22080	PISTON W/RING	4	4						
21	..		129901 - 22050	RING SET	4	4						
25	.		120130 - 22301	PIN, PISTON	4	4						
26	.		22252 - 000300	CIRCLIP 30	8	8						
27	.		129900 - 23000	ROD ASSY, CONNECTING	4	4						
31	..		129900 - 23910	BUSH, PISTON PIN	4	4						1
32	..		129900 - 23200	BOLT, ROD	8	8						
33	..		129900 - 23600	METAL ASSY, CRANKPIN	4	4						
35	.		129900 - 23610	BEARING,PIN U.S = 0.25	4	4						2
37	.		129900 - 22900	PISTON W/RING OS = .25	4	4						3
39	..		129901 - 22950	RING SET O.S = 0.25	4	4						3
43	.		171085 - 21451	HOUSING, BEARING	1							
44	.		22252 - 000721	RING 72	1							
45	.		24105 - 063064	BALL BEARING	1							
46	.		26106 - 080222	BOLT M 8X 22 PLATED	4							

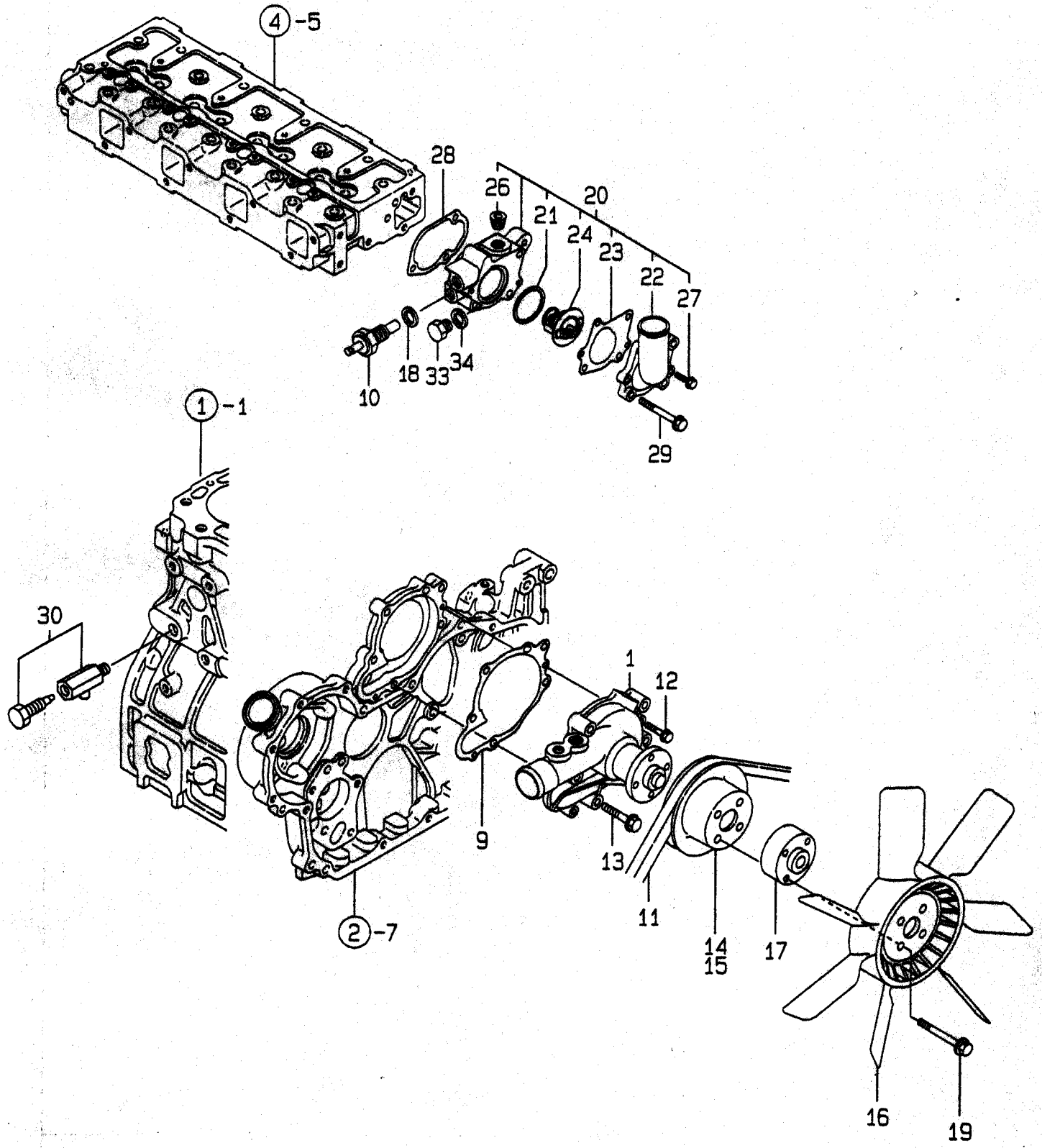
Remarks

- (1) REPAIR PART.
- (2) UNDER - SIZED (U.S = 0.25) PART.
- (3) OVER - SIZED (O.S = 0.25) PART.

9, LUB. OIL SYSTEM



10, COOLING WATER SYSTEM

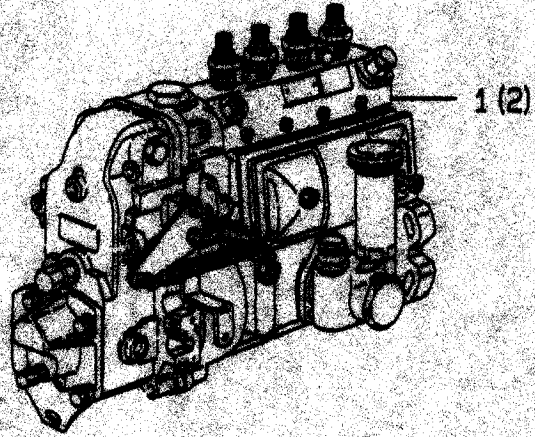


(10) COOLING WATER SYSTEM

A= 4TNE94-SA	D=
B= 4TNE94-G1A	E=
C=	F=

REF.No.	LEV. 0	PARTS No.	DESCRIPTION	Q'ty						I	R
				A	B	C	D	E	F		
1	.	129900 - 42000	PUMP, COOLING WATER	1	1						
9	.	129900 - 42020	GASKET, CW - P	1	1						
10	.	121250 - 44901	SWITCH, THERMO(110° C	1	1						
11	.	25132 - 004100	V - BELT	1	1						
12	.	26106 - 060302	BOLT M 6X 30 PLATED	2	2						
13	.	26106 - 080552	BOLT M 8X 55 PLATED	5	5						
14	.	129900 - 42450	PULLEY	1							
15	.	129900 - 42461	PULLEY		1						
16	.	129900 - 44700	FAN	1	1						
17	.	119005 - 44761	SPACER	1	1						
18	.	124465 - 44950	GASKET 16	1	1						
19	.	26014 - 080502	BOLT M 8X 50	4	4						
20	.	129951 - 49800	THERMOSTAT CASE ASSY	1	1						
21	..	121850 - 49550	GASKET, THERMOSTAT	1	1						
22	..	129900 - 49530	COVER	1	1						
23	..	129900 - 49540	GASKET, THERMOSTAT	1	1						
24	..	121850 - 49810	THERMOSTAT	1	1						
26	..	23871 - 030000	PLUG PT3/8,SCREW	1	1						
27	..	26106 - 060252	BOLT M 6X 25 PLATED	2	2						
28	.	129900 - 49830	GASKET, CASE	1	1						
29	.	26106 - 080702	BOLT M 8X 70 PLATED	3	3						
30	.	119620 - 49290	COCK ASSY 1/4	1	1						
33	.	121450 - 42450	PLUG M16	1	1						
34	.	124465 - 44950	GASKET 16	1	1						

11, FUEL INJECTION PUMP



(12) FUEL INJECTION VALVE

A= 4TNE94-SA	D=
B= 4TNE94-G1A	E=
C=	F=

REF.No.	LEV.	O	PARTS No.	DESCRIPTION	Qty						I	R
					A	B	C	D	E	F		
1	.		129900 - 01950	BRACKET	1	1						
2	.		26106 - 100142	BOLT M10X 14 PLATED	1	1						
3	.		26106 - 080202	BOLT M 8X 20 PLATED	1	1						
4A	.		729902 - 53100	VALVE, FUEL	4							
4B	.		729982 - 53100	VALVE ASSY, F.INJECT		4						
5A	..		129902 - 53000	NOZZLE	4							
5B	..		129982 - 53000	NOZZLE		4						
8	..		114250 - 53080	NUT, NOZZLE CASE	4	4						
9	..		129100 - 53100	HOLDER ASSY, NOZZLE	4	4						
12	..		114250 - 53120	SPRING, NOZZLE	4	4						
13	..		114250 - 53130	SEAT, NOZZLE SPRING	4	4						
14	..		114250 - 53140	PLATE, STOP	4	4						
15	..		114250 - 53210	PIN	8	8						
16	..		114250 - 53400	SHIM PACK	4	4						
23	.		119305 - 59120	RETAINER	2	2						
26	..		129150 - 59131	BOLT M4X14,HEX.SCKT.	2	2						
27	.		129550 - 59120	RETAINER	1	1						
30	..		129150 - 59131	BOLT M4X14,HEX.SCKT.	2	2						
32	.		129902 - 59810	PIPE NO.1, F.INJECT.	1	1						
36	.		129902 - 59820	PIPE NO.2, F.INJECT.	1	1						
40	.		129902 - 59830	PIPE NO.3, F.INJECT.	1	1						
44	.		129902 - 59840	PIPE NO.4, F.INJECT.	1	1						

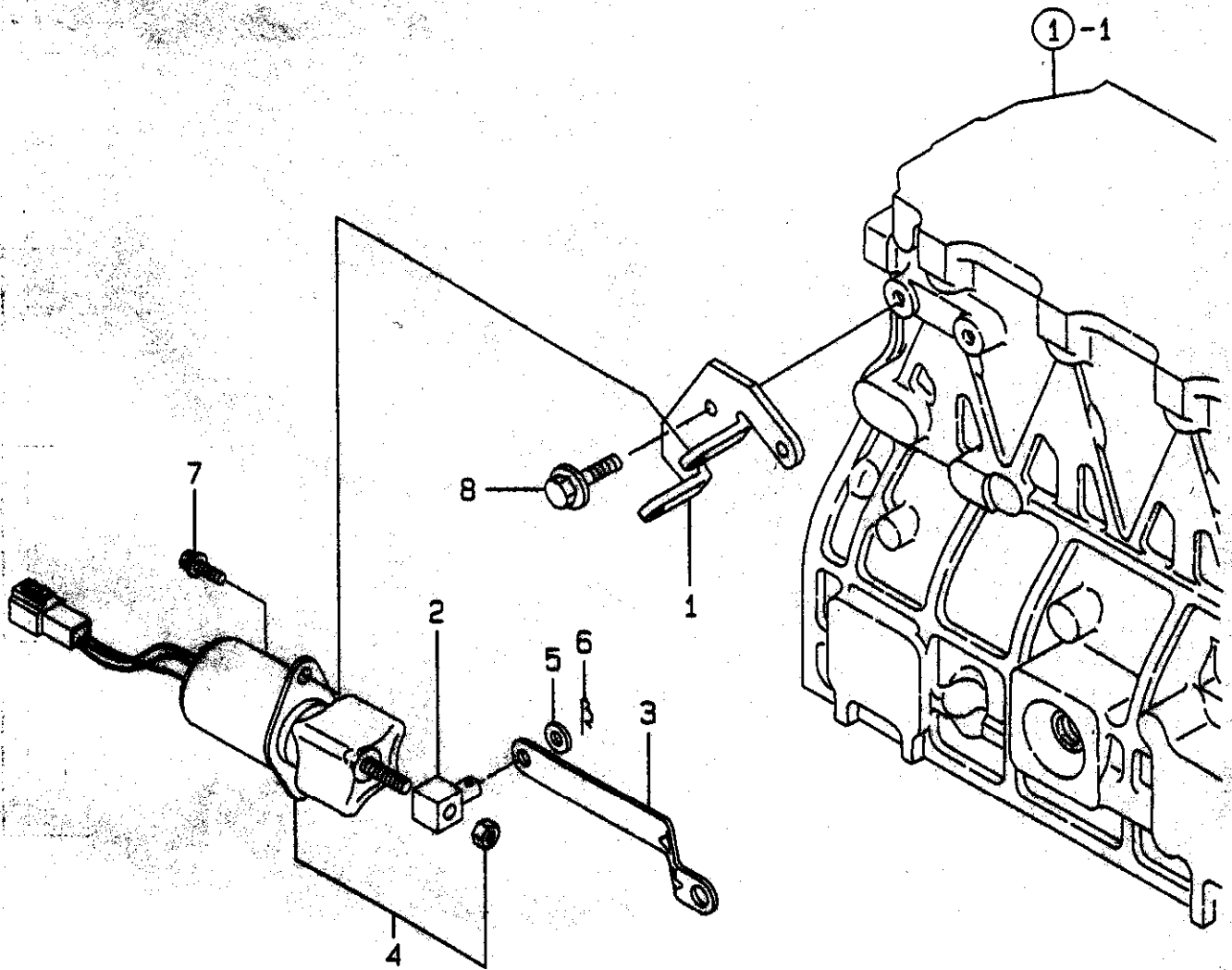
(13) FUEL LINE

Y00R4570 (1996.06.01)

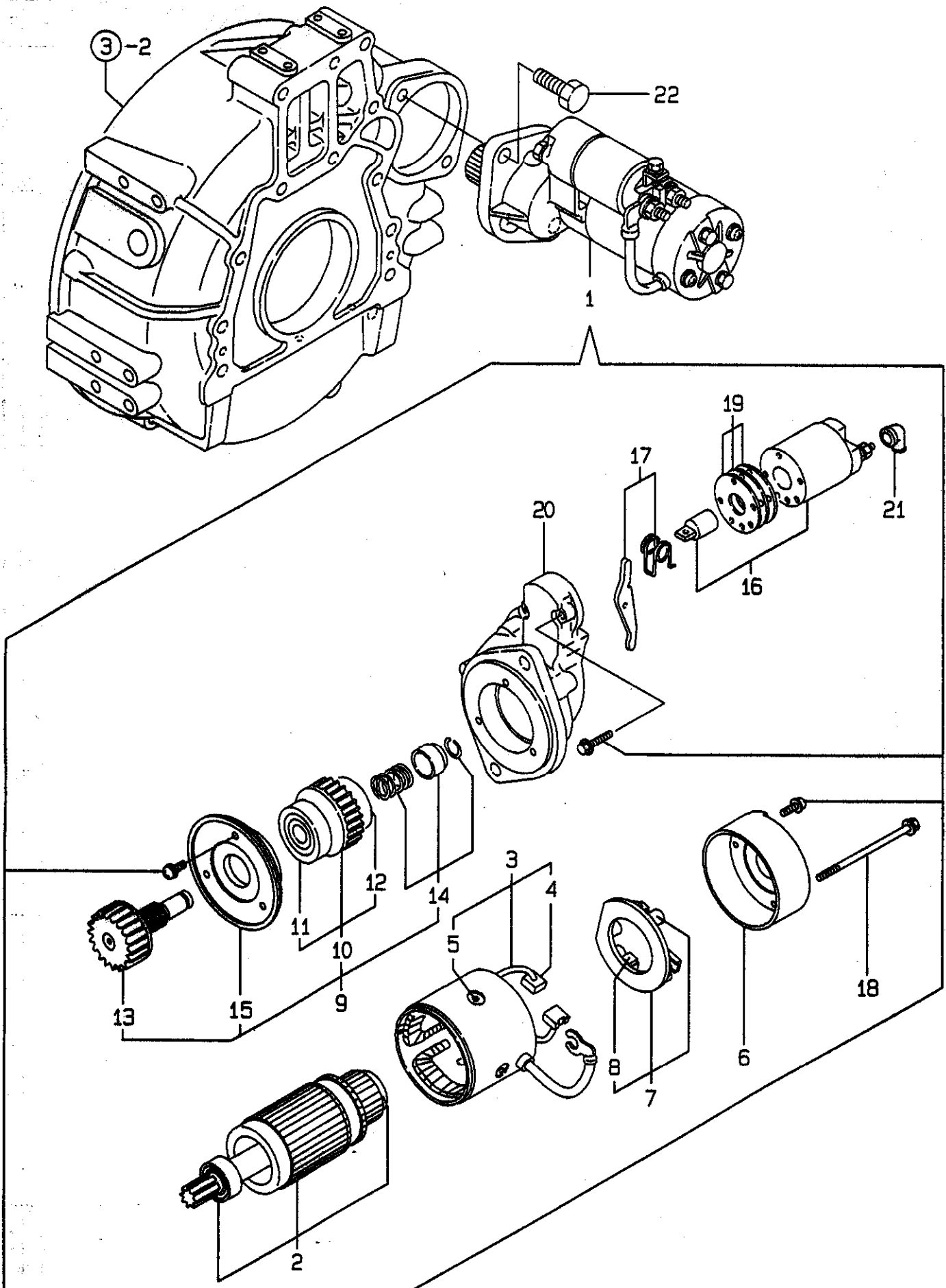
A= 4TNE94-SA	D=
B= 4TNE94-G1A	E=
C=	F=

REF.No.	LEV.	PARTS No.	DESCRIPTION	Q'ty						I	R
				A	B	C	D	E	F		
1	.	22190 - 140002	SEAL WASHER 14S	2	2						
2	.	119000 - 55600	FILTER, FUEL	1	1						
3	.	129470 - 55610	BODY, FUEL FILTER	1	1						
4	.	23414 - 080000	GASKET 8, ROUND	1	1						
5	.	26106 - 100252	BOLT M10X 25 PLATED	2	2						
6	.	101304 - 59020	JOINT 12, PIPE	2	2						
7	.	124766 - 59050	CLAMP 12	4	4						
8	.	121855 - 59111	CLAMP, PIPE	2	2						
9	.	103854 - 59191	BOLT W/PLUG & SEAL	1	1						
11	..	124060 - 59380	PLUG	1	1						
12	..	22190 - 060002	SEAL WASHER 6S	1	1						
13	.	129900 - 59510	PIPE, FUEL	1	1						
14	.	129900 - 59510	PIPE, FUEL	1	1						
15	.	119006 - 59910	PIPE, JOINT	1	1						
16	.	26106 - 080102	BOLT M 8X 10 PLATED	1	1						
17	.	121855 - 59880	JOINT	1	1						
18	.	22190 - 120002	SEAL WASHER 12S	4	4						
19	.	23857 - 060000	JOINT BOLT 6	1	1						
20	.	121855 - 59880	JOINT	1	1						
21	.	124766 - 59050	CLAMP 12	2	2						
22	.	124066 - 59100	CLAMP 8	9	9						
23	.	129495 - 59300	BOLT, PIPE JOINT	1	1						
24	.	105025 - 59580	PIPE, FUEL	1	1						
25	.	129470 - 59530	JOINT, FUEL RETN. PIPE	1	1						
26	.	121250 - 59550	PIPE, FUEL	3	3						
27	.	124950 - 59560	PIPE, FUEL RETURN	1	1						
28	.	129150 - 59580	CAP	1	1						
29	.	128300 - 59910	VALVE ASSY, OVER-FLOW	1	1						
35	.	22190 - 140002	SEAL WASHER 14S	2	2						

14, ENGINE STOP DEVICE



15. STARTING MOTOR

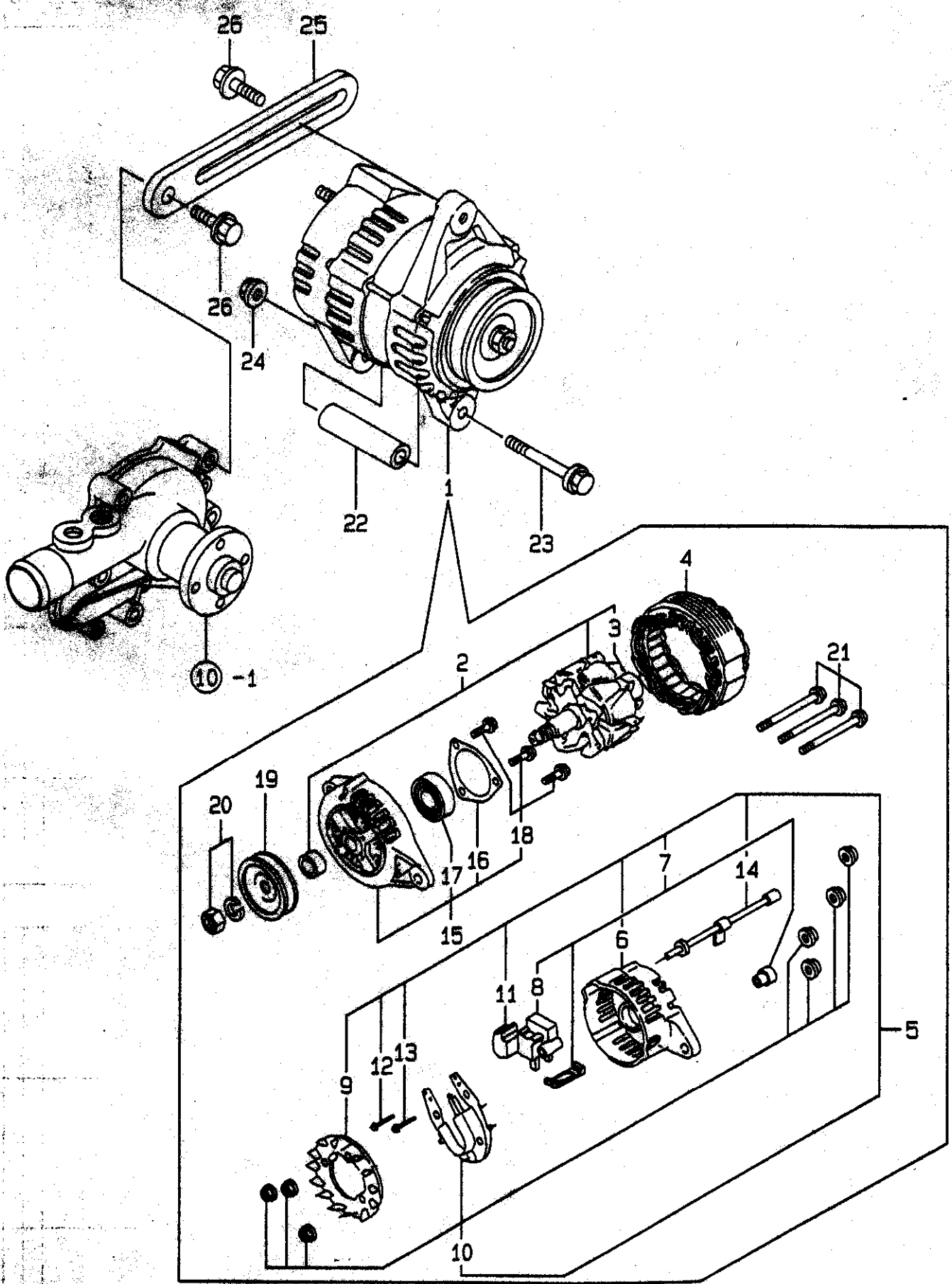


(15) STARTING MOTOR

A= 4TNE94-SA	D=
B= 4TNE94-G1A	E=
C=	F=

REF.No.	LEV.	O	PARTS No.	DESCRIPTION	Q'ty						I	R
					A	B	C	D	E	F		
1	.		129900 - 77010	STARTER (2.3KW	1	1						
2	..		129900 - 77400	ARMATURE ASSY	1	1						
3	..		129900 - 77440	COIL ASSY, FIELD	1	1						
4	...		129900 - 77450	BRUSH (+)	2	2						
5	...		171008 - 77450	SCREW, POLE CORE SET	4	4						
6	..		129900 - 77460	COVER, REAR	1	1						
7	..		129900 - 77480	HOLDER ASSY, BRASH	1	1						
8	...		129900 - 77500	BRASH (-)	2	2						
9	..		129900 - 77510	PINION ASSY	1	1						
10	...		129900 - 77520	CLUTCH ASSY	1	1						
11		171008 - 77730	BALL BEARING (3)	1	1						
12		171008 - 77740	BALL BEARING (4)	1	1						
13	...		129900 - 77540	SHAFT, PINION	1	1						
14	...		129900 - 77550	STOPPER SET	1	1						
15	...		129900 - 77610	RETAINER, BEARING	1	1						
16	..		129900 - 77590	SWITCH ASSY,MAGNETIC	1	1						
17	..		129900 - 77620	SHIFT LEVER SET	1	1						
18	..		129900 - 77640	BOLT, THROUGH	2	2						
19	..		129900 - 77650	COVER ASSY, DUST	1	1						
20	..		129900 - 77710	HOUSING, GEARS	1	1						
21	..		171008 - 77750	COVER, M TERMINAL	1	1						
22	.		26116 - 120302	BOLT M12X 30 PLATED	2	2						

16, GENERATOR



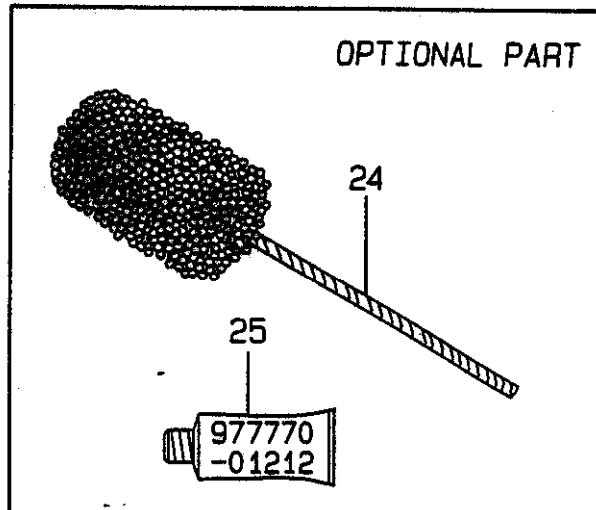
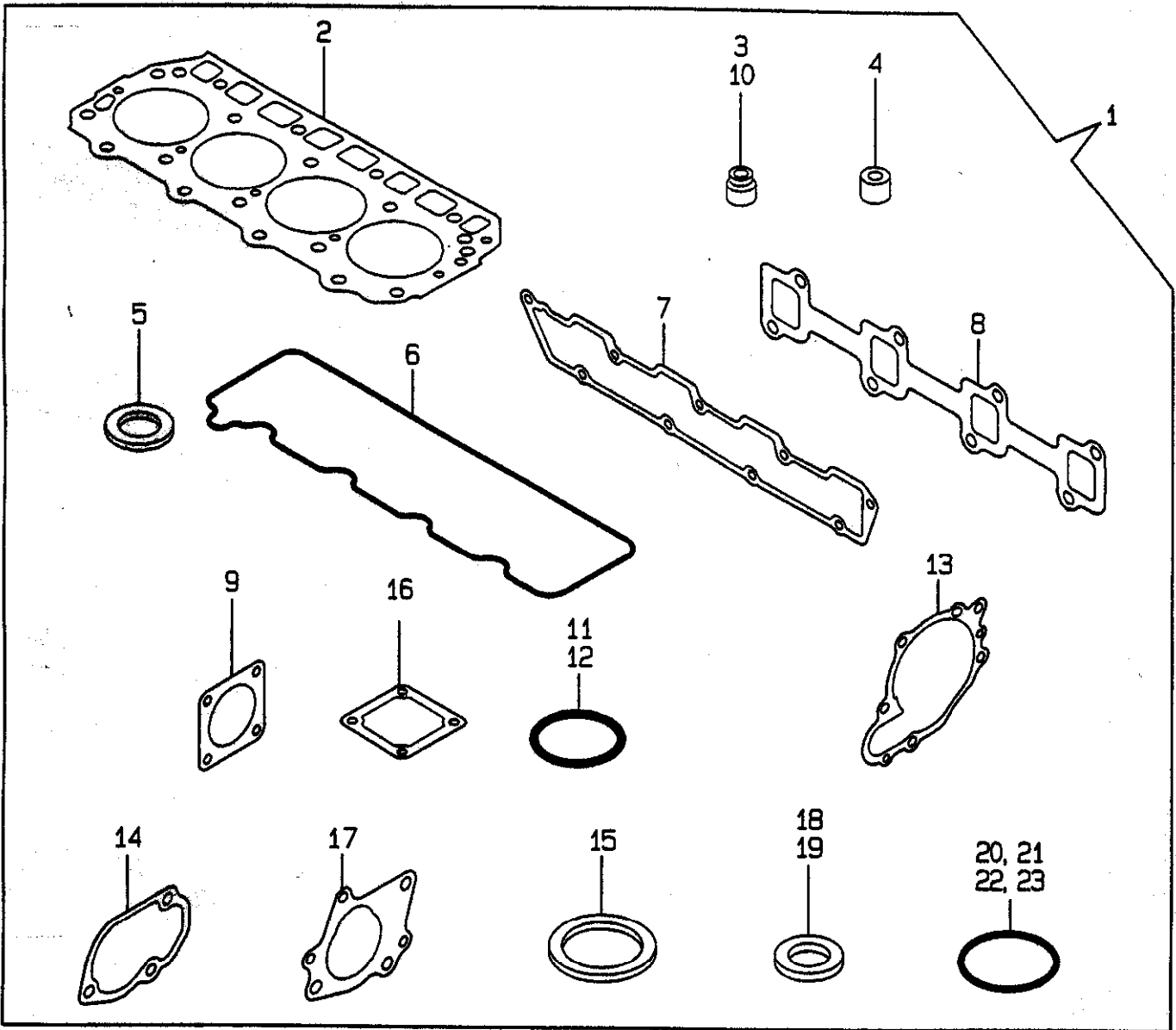
(16) GENERATOR

Y00R4570 (1996.06.01)

A= 4TNE94-SA	D=
B= 4TNE94-G1A	E=
C=	F=

REF.No.	LEV.	PARTS No.	DESCRIPTION	Q'ty						I	R
				A	B	C	D	E	F		
1	.	119836 - 77200	GENERATOR	1	1						
2	..	119836 - 77700	ROTOR ASSY	1	1						
3	...	119836 - 77850	BALL BEARING	1	1						
4	..	119836 - 77710	STARTER ASSY	1	1						
5	..	119836 - 77721	COVER ASSY, REAR	1	1						
6	...	119836 - 77730	COVER, REAR	1	1						
7	...	119836 - 77741	BRUSH ASSY,REGULATOR	1	1						
8	119836 - 77750	BRUSH ASSY	1	1						
9	...	119836 - 77760	GUIDE, FAN SIDE	1	1						
10	...	119836 - 77770	DIODE ASSY	1	1						
11	...	119836 - 77780	CONDENSER	1	1						
12	...	119836 - 77871	BOLT (1)	1	1						
13	...	119836 - 77880	BOLT (2)	1	1						
14	...	119836 - 77890	WIRE ASSY, LEAD	1	1						
15	..	119836 - 77790	COVER ASSY, FRONT	1	1						
16	...	119836 - 77800	RETAINER, BEARING	1	1						
17	...	119836 - 77840	BALL BEARING	1	1						
18	...	119836 - 77860	SCREW KID	1	1						
19	..	119836 - 77810	PULLEY	1	1						
20	..	119836 - 77820	NUT ASSY, PULLEY	1	1						
21	..	119836 - 77830	BOLT, THROUGH	1	1						
22	.	129150 - 77340	SPACER	1	1						
23	.	26106 - 081052	BOLT M 8X105 PLATED	1	1						
24	.	26366 - 080002	NUT M 8	1	1						
25	.	129900 - 77330	AJUSTER, BELT	1	1						
26	.	26014 - 080252	BOLT M 8X 25	2	2						

17, GASKET SET



(17) GASKET SET

A= 4TNE94-SA	D=
B= 4TNE94-G1A	E=
C=	F=

REF.No.	LEV.	0	PARTS No.	DESCRIPTION	Q'ty						I	R	
					A	B	C	D	E	F			
01	.		729900 - 92600	GASKET SET (NON - ASB.)	1	1						1	
2	..		129900 - 01331	GASKET, CYL. HEAD	1	1							
3	..		124460 - 11340	SEAL, VALVE STEM	4	4							
4	..		119625 - 11870	PROTECTOR, NOZZLE	4	4							
5	..		119625 - 11880	SEAT, NOZZLE	4	4							
6	..		129900 - 11310	GASKET, BONNET	1	1							
7	..		129900 - 12050	GASKET, SUC.MANIFOLD	1	1							
8	..		129900 - 13251	GASKET	1	1							
9	..		129400 - 13201	GASKET, (NON - ASB.)	1	1							
10	..		121400 - 11340	SEAL, VALVE STEM	4	4							
11	..		129900 - 32030	O - RING P20	2	2							
12	..		129900 - 32040	O - RING P14	1	1							
13	..		129900 - 42020	GASKET, CW - P	1	1							
14	..		129900 - 49830	GASKET, CASE	1	1							
15	..		121850 - 49550	GASKET, THERMOSTAT	1	1							
16	..		121850 - 77021	GASKET, (NON - ASB.)	1	1							
17	..		129900 - 49540	GASKET, THERMOSTAT	1	1							
18	..		23414 - 080000	GASKET 8, ROUND	7	7							
19	..		124465 - 44950	GASKET 16	2	2							
20	..		24311 - 000070	O - RING 1A P - 7.0	1	1							
21	..		24311 - 000120	O - RING 1A P 12.0	3	3							
22	..		24341 - 000240	O - RING 1A S - 24.0	1	1							
23	..		24311 - 000320	O - RING 1A P - 32.0	3	3							
24	.		129400 - 92420	FLEX HORN	1	1						1	
25	.		977770 - 01212	GASKET, LIQUID	1	1						1	

Remarks

(1) OPTIONAL PART.

MODEL : 4TNE94-SA/G1A
P/C No. : Y00R4570

SPEC. CODE LIST

Fig No.	SPEC. CODE
1	D29900 - 01100 D29900 - 02100
2	D29150 - 91100 D29911 - 01200
3	D29900 - 01310 D29902 - 01400 D29915 - 01300 D29955 - 01300
4	D29900 - 03100 D29900 - 07300 D29900 - 11100 D29900 - 11200 D29900 - 11310 D29915 - 07010 D29915 - 07020
5	D19006 - 77500 D29900 - 12110
6	D29608 - 93100 D29900 - 13200
7	D29900 - 14110 D29900 - 25100 D29900 - 25200
8	D29900 - 21100 D29900 - 21220 D29900 - 22100 D29900 - 23100 D29902 - 21300 D29915 - 21400 D29955 - 21300
9	D19600 - 39100 D29900 - 34100 D29900 - 35100 D29900 - 35200 D29900 - 39100 D29953 - 39200
10	D19620 - 49300 D29100 - 49610 D29900 - 42100 D29900 - 42300 D29900 - 42310 D29900 - 42420 D29915 - 44100 D29951 - 49200
11	D29915 - 51100 D29915 - 51110
12	D29900 - 51300 D29900 - 59110 D29902 - 53100 D29982 - 53100
13	D19000 - 55100

Fig No.	SPEC. CODE
13	D29900 - 59210 D29900 - 59300
14	D29915 - 66150
15	D29900 - 77100
16	D29900 - 77200 D29900 - 77300
17	

Fig No.	SPEC. CODE

PARTS No. INDEX

All parts of this Parts Catalog is arranged by Part No. order
(depending on the spot where the model is used).

If you want to know by Part No. where your object part is used,
please use this Parts Catalog.

PARTS No. INDEX

PARTS No.	Fig.	Ref.No.
101304 - 59020	13	6
103854 - 59191	13	9
105025 - 59580	13	24
114250 - 53080	12	8
114250 - 53120	12	12
114250 - 53130	12	13
114250 - 53140	12	14
114250 - 53210	12	15
114250 - 53400	12	16
119000 - 35140	9	5
119000 - 55600	13	2
119005 - 44761	10	17
119006 - 03090	4	1
119006 - 59910	13	15
119100 - 11330	4	52
119305 - 59120	12	23
119620 - 01750	3	4
119620 - 49290	10	30
119620 - 66820	14	2
119625 - 11870	4	20
119625 - 11870	17	4
119625 - 11880	4	21
119625 - 11880	17	5
119625 - 11900	4	22
119640 - 01640	3	9
119807 - 77800	14	4
119836 - 77200	16	1
119836 - 77700	16	2
119836 - 77710	16	4
119836 - 77721	16	5
119836 - 77730	16	6
119836 - 77741	16	7
119836 - 77750	16	8
119836 - 77760	16	9
119836 - 77770	16	10
119836 - 77780	16	11
119836 - 77790	16	15
119836 - 77800	16	16
119836 - 77810	16	19
119836 - 77820	16	20
119836 - 77830	16	21
119836 - 77840	16	17
119836 - 77850	16	3
119836 - 77860	16	18
119836 - 77871	16	12
119836 - 77880	16	13
119836 - 77890	16	14
120130 - 22301	8	25
121250 - 44901	10	10
121250 - 59550	13	26

PARTS No.	Fig.	Ref.No.
121400 - 11340	4	17
121400 - 11340	17	10
121450 - 42450	10	33
121520 - 34810	9	3
121850 - 21130	8	11
121850 - 21290	8	5
121850 - 21680	8	10
121850 - 21920	8	6
121850 - 49550	10	21
121850 - 49550	17	15
121850 - 49810	10	24
121850 - 77021	5	6
121850 - 77021	17	16
121850 - 77050	5	7
121855 - 59111	13	8
121855 - 59880	13	17
121855 - 59880	13	20
124060 - 59380	13	11
124066 - 59100	13	22
124160 - 01751	2	28
124160 - 01751	4	58
124160 - 11360	4	45
124160 - 39450	9	14
124411 - 01780	3	7
124460 - 11340	4	18
124460 - 11340	17	3
124465 - 44950	10	18
124465 - 44950	10	34
124465 - 44950	17	19
124766 - 59050	13	7
124766 - 59050	13	21
124950 - 59560	13	27
127410 - 21480	8	18
128300 - 59910	13	29
129100 - 01580	3	1
129100 - 53100	12	9
129100 - 77820	5	5
129150 - 02450	7	4
129150 - 03100	4	2
129150 - 11230	4	34
129150 - 11230	4	38
129150 - 11370	4	19
129150 - 11750	4	36
129150 - 11750	4	40
129150 - 11810	4	9
129150 - 14200	7	1
129150 - 25920	7	14
129150 - 35151	9	4
129150 - 59131	12	26
129150 - 59131	12	30

PARTS No.	Fig.	Ref.No.
129150 - 59580	13	28
129150 - 77340	16	22
129150 - 91400	2	16
129400 - 13201	6	6
129400 - 13201	17	9
129400 - 92420	17	24
129470 - 55610	13	3
129470 - 59530	13	25
129495 - 59300	13	23
129550 - 59120	12	27
129795 - 11180	4	16
129900 - 01200	1	28
129900 - 01331	1	29
129900 - 01331	17	2
129900 - 01740	2	5
129900 - 01780	2	4
129900 - 01820	2	7
129900 - 01950	12	1
129900 - 02020	1	7
129900 - 02340	1	30
129900 - 02410	1	10
129900 - 02800	1	16
129900 - 02930	1	25
129900 - 02940	1	33
129900 - 07900	4	4
129900 - 11100	4	13
129900 - 11110	4	14
129900 - 11120	4	15
129900 - 11200	4	26
129900 - 11240	4	27
129900 - 11280	4	30
129900 - 11310	4	47
129900 - 11310	17	6
129900 - 11350	4	46
129900 - 11510	4	31
129900 - 11520	4	32
129900 - 11530	4	43
129900 - 11600	4	50
129900 - 11650	4	33
129900 - 11660	4	37
129900 - 12000	5	2
129900 - 12050	5	1
129900 - 12050	17	7
129900 - 13200	6	1
129900 - 13251	6	3
129900 - 13251	17	8
129900 - 14100	7	7
129900 - 14400	7	2
129900 - 14580	7	3
129900 - 21000	8	1

PARTS No.	Fig.	Ref.No.
129900 - 21200	8	4
129900 - 21600	8	14
129900 - 21640	8	9
129900 - 21670	8	8
129900 - 22080	8	19
129900 - 22900	8	37
129900 - 23000	8	27
129900 - 23200	8	32
129900 - 23600	8	33
129900 - 23610	8	35
129900 - 23910	8	31
129900 - 25060	7	10
129900 - 25100	7	11
129900 - 25900	7	16
129900 - 32000	2	10
129900 - 32030	2	12
129900 - 32030	9	6
129900 - 32030	17	11
129900 - 32040	2	13
129900 - 32040	17	12
129900 - 34800	9	1
129900 - 35000	9	7
129900 - 39350	9	15
129900 - 42000	10	1
129900 - 42020	10	9
129900 - 42020	17	13
129900 - 42450	10	14
129900 - 42461	10	15
129900 - 44700	10	16
129900 - 49530	10	22
129900 - 49540	10	23
129900 - 49540	17	17
129900 - 49830	10	28
129900 - 49830	17	14
129900 - 59510	13	13
129900 - 59510	13	14
129900 - 77010	15	1
129900 - 77330	16	25
129900 - 77400	15	2
129900 - 77440	15	3
129900 - 77450	15	4
129900 - 77460	15	6
129900 - 77480	15	7
129900 - 77500	15	8
129900 - 77510	15	9
129900 - 77520	15	10
129900 - 77540	15	13
129900 - 77550	15	14
129900 - 77590	15	16
129900 - 77610	15	15

ALPHABETICAL INDEX OF PARTS NAME

All part of this Parts Catalog is arranged by alphabetical Part Name order (depending on the spot where the part is used).

If you want to know by Part Name where your object part is used, please use this Parts Catalog.

PARTS NAME INDEX

	PARTS NAME	PARTS No.	Fig.	Ref No.
A	AJUSTER, BELT	129900-77330	16	25
	ARM KIT, EXH. ROCKER	129900-11660	4	37
	ARM KIT, SUC. ROCKER	129900-11650	4	33
	ARMATURE ASSY	129900-77400	15	2
B	BALL BEARING	119836-77840	16	17
	BALL BEARING	119836-77850	16	3
	BALL BEARING	24105-063064	8	45
	BALL BEARING (3)	171008-77730	15	11
	BALL BEARING (4)	171008-77740	15	12
	BEARING ASSY, MAIN	129900-02800	1	16
	BEARING ASSY, THRUST	129900-02930	1	25
	BEARING, THRUST	129150-02450	7	4
	BEARING, PIN U. S=0. 25	129900-23610	8	35
	BEARING, THRUST . 250S	129900-02940	1	33
	BLOCK ASSY, CYLINDER	729900-01560	1	1
	BODY, FUEL FILTER	129470-55610	13	3
	BOLT (1)	119836-77871	16	12
	BOLT (2)	119836-77880	16	13
	BOLT M 6X 10 PLATED	26106-060102	14	7
	BOLT M 6X 16 PLATED	26106-060162	2	19
	BOLT M 6X 25 PLATED	26106-060252	10	27
	BOLT M 6X 30 PLATED	26106-060302	10	12
	BOLT M 8X 10 PLATED	26106-080102	13	16
	BOLT M 8X 12 PLATED	26106-080122	3	13
	BOLT M 8X 12 PLATED	26106-080122	4	3
	BOLT M 8X 12 PLATED	26106-080122	9	2
	BOLT M 8X 12 PLATED	26106-080122	9	12
	BOLT M 8X 16 PLATED	26106-080162	2	20
	BOLT M 8X 16 PLATED	26106-080162	4	54
	BOLT M 8X 16 PLATED	26106-080162	7	9
	BOLT M 8X 16 PLATED	26106-080162	9	13
	BOLT M 8X 16 PLATED	26106-080162	14	8
	BOLT M 8X 20 PLATED	26106-080202	2	21
	BOLT M 8X 20 PLATED	26106-080202	12	3
	BOLT M 8X 22 PLATED	26106-080222	8	46
	BOLT M 8X 25	26014-080252	16	26
	BOLT M 8X 30 PLATED	26106-080302	2	22
	BOLT M 8X 35 PLATED	26106-080352	5	8
	BOLT M 8X 40 PLATED	26106-080402	2	23
	BOLT M 8X 40 PLATED	26106-080402	2	24
	BOLT M 8X 45 PLATED	26106-080452	2	25
	BOLT M 8X 45 PLATED	26106-080452	5	4
	BOLT M 8X 50	26014-080502	10	19
	BOLT M 8X 55 PLATED	26106-080552	7	15
	BOLT M 8X 55 PLATED	26106-080552	10	13
	BOLT M 8X 70 PLATED	26106-080702	2	26
	BOLT M 8X 70 PLATED	26106-080702	2	27
	BOLT M 8X 70 PLATED	26106-080702	10	29
	BOLT M 8X 80 PLATED	26106-080802	6	4
	BOLT M 8X105 PLATED	26106-081052	16	23
	BOLT M10X 14 PLATED	26106-100142	12	2
	BOLT M10X 25 PLATED	26106-100252	13	5

	PARTS NAME	PARTS No.	Fig.	Ref No.
B	BOLT M10X 35 PLATED	26206-100352	13	16
	BOLT M10X 65 PLATED	26106-100652	14	55
	BOLT M10X 70 PLATED	26206-100702	13	45
	BOLT M12X 30 PLATED	26116-120302	15	22
	BOLT M4X14, HEX. SCKT.	129150-59131	12	26
	BOLT M4X14, HEX. SCKT.	129150-59131	12	30
	BOLT W/PLUG & SEAL	103854-59191	13	19
	BOLT, FLYWHEEL	121850-21130	13	11
	BOLT, HEAD	129900-01200	13	28
	BOLT, METAL CAP	129900-02020	13	17
	BOLT, PIPE JOINT	129495-59300	13	23
	BOLT, ROD	129900-23200	13	32
	BOLT, THROUGH	119836-77830	16	21
	BOLT, THROUGH	129900-77640	15	18
	BOLT, V-PULLEY	121850-21680	13	10
	BONNET ASSY	129900-11350	13	16
	BRACKET	129900-01950	12	11
	BRACKET, SOLENOID	129915-66810	14	11
	BRASH (-)	129900-77500	15	28
	BRUSH (+)	129900-77450	15	14
	BRUSH ASSY	119836-77750	16	18
	BRUSH ASSY, REGULATOR	119836-77741	16	17
	BUSH, CAMSHAFT	129900-02410	7	10
	BUSH, IDLE GEAR	129150-25920	7	14
	BUSH, PISTON PIN	129900-23910	8	11
C	CAMSHAFT ASSY	129900-14580	7	13
	CAP	129150-59580	13	28
	CAP, FLYWHEEL COVER	119620-01750	3	14
	CAP, LUB. OIL SUPPLY	124160-01751	2	28
	CAP, LUB. OIL SUPPLY	124160-01751	4	58
	CAP, VALVE	129150-11370	4	19
	CIRCLIP 18	22242-000180	4	11
	CIRCLIP 30	22252-000300	8	26
	CLAMP 8	124066-59100	13	22
	CLAMP 12	124766-59050	13	17
	CLAMP 12	124766-59050	13	21
	CLAMP, PIPE	121855-59111	13	18
	CLUTCH ASSY	129900-77520	15	10
	COCK ASSY 1/4	119620-49290	10	30
	COIL ASSY, FIELD	129900-77440	15	13
	CONDENSER	119836-77780	16	11
	CORD, EARTH	129100-77820	5	15
	COTTER . 8	27310-080000	4	25
	COVER	129900-49530	10	22
	COVER ASSY, DUST	129900-77650	15	19
	COVER ASSY, FRONT	119836-77790	16	15
	COVER ASSY, REAR	119836-77721	16	5
	COVER, F. I. PUMP	129900-01740	2	5
	COVER, GEAR HOUSING	729900-01570	2	11
	COVER, M TERMINAL	171008-77750	15	21
	COVER, REAR	119836-77730	16	6
	COVER, REAR	129900-77460	15	6

PARTS NAME INDEX

	PARTS NAME	PARTS No.	Fig.	RefNo.		PARTS NAME	PARTS No.	Fig.	RefNo.
C	CRANKSHAFT COMP	129900-21000	8	1	G	GUIDE, DIPSTICK	121520-34810	9	3
D	DIODE ASSY	119836-77770	16	10		GUIDE, FAN SIDE	119836-77760	16	9
	DIPSTICK	129900-34800	9	1		GUIDE, VALVE	129150-11810	4	9
	DRAIN PLUG M22	119640-01640	3	9	H	HEAD ASSY, CYLINDER	729900-11100	4	5
F	FAN	129900-44700	10	16		HEATER, AIR	121850-77050	5	7
	FILTER 80X80L	129150-35151	9	4		HOLDER ASSY, BRASH	129900-77480	15	7
	FILTER, FUEL	119000-55600	13	2		HOLDER ASSY, NOZZLE	129100-53100	12	9
	FLEX HORN	129400-92420	17	24		HOSE, BREATHER	119006-03090	4	1
	FLTWHEEL HOUSING	129955-01600	3	2		HOUSING COMP, GEAR	129900-01820	2	7
	FLYWHEEL ASSY	129902-21580	8	15		HOUSING, BEARING	171085-21451	8	43
	FLYWHEEL ASSY	129955-21590	8	12		HOUSING, GEARS	129900-77710	15	20
	FLYWHEEL HOUSING	129915-01600	3	3	J	JOINT	119620-66820	14	2
	FUEL INJECTION PUMP	129915-51000	11	2		JOINT	121855-59880	13	17
	FUEL INJECTION PUMP	129915-51010	11	1		JOINT	121855-59880	13	20
G	GASKET	129900-13251	6	3		JOINT 12, PIPE	101304-59020	13	6
	GASKET	129900-13251	17	8		JOINT BOLT 3	23857-030000	9	18
	GASKET 16	124465-44950	10	18		JOINT BOLT 6	23857-060000	13	19
	GASKET 16	124465-44950	10	34		JOINT, BREATHER	119100-11330	4	52
	GASKET 16	124465-44950	17	19		JOINT, FUEL RETN. PIPE	129470-59530	13	25
	GASKET 8, ROUND	23414-080000	9	17	K	KEY 7X 14	22512-070140	7	8
	GASKET 8, ROUND	23414-080000	13	4		KEY 7X 14	22512-070140	8	7
	GASKET 8, ROUND	23414-080000	17	18		KNOB	124160-11360	4	45
	GASKET SET (NON-ASB.)	729900-92600	17	1	L	LIFTER, ENGINE	129900-07900	4	4
	GASKET, (NON-ASB.)	121850-77021	5	6		LINK, SOLENOID	129915-66820	14	3
	GASKET, (NON-ASB.)	121850-77021	17	16	M	MAIN BEARING US=0.25	129900-02340	1	30
	GASKET, (NON-ASB.)	129400-13201	6	6		MANIFOLD, EXHAUST	129900-13200	6	1
	GASKET, (NON-ASB.)	129400-13201	17	9		MANIFOLD, INT	129900-12000	5	2
	GASKET, BONNET	129900-11310	4	47		METAL ASSY, CRANKPIN	129900-23600	8	33
	GASKET, BONNET	129900-11310	17	6	N	NOZZLE	129902-53000	12	5A
	GASKET, CASE	129900-49830	10	28		NOZZLE	129982-53000	12	5B
	GASKET, CASE	129900-49830	17	14		NUT ASSY, PULLEY	119836-77820	16	20
	GASKET, CW-P	129900-42020	10	9		NUT M 6	26366-060002	4	24
	GASKET, CW-P	129900-42020	17	13		NUT M 8	26366-080002	6	8
	GASKET, CYL. HEAD	129900-01331	1	29		NUT M 8	26366-080002	16	24
	GASKET, CYL. HEAD	129900-01331	17	2		NUT M10	26366-100002	2	15
	GASKET, LIQUID	977770-01212	2	6		NUT M10	26366-100002	4	44
	GASKET, LIQUID	977770-01212	3	14		NUT M8XP1.0	129150-11750	4	36
	GASKET, LIQUID	977770-01212	4	56		NUT M8XP1.0	129150-11750	4	40
	GASKET, LIQUID	977770-01212	17	25	O	NUT, NOZZLE CASE	114250-53080	12	8
	GASKET, LIQUID	977770-01212	17	25		O-RING 1A P 12.0	24311-000120	4	53
	GASKET, LIQUID	977770-01212	17	25		O-RING 1A P 12.0	24311-000120	17	21
	GASKET, SUC. MANIFOLD	129900-12050	5	1		O-RING 1A P-32.0	24311-000320	2	30
	GASKET, SUC. MANIFOLD	129900-12050	17	7		O-RING 1A P-32.0	24311-000320	4	57
	GASKET, THERMOSTAT	121850-49550	10	21		O-RING 1A P-32.0	24311-000320	17	23
	GASKET, THERMOSTAT	121850-49550	17	15		O-RING 1A P-7.0	24311-000070	2	29
	GASKET, THERMOSTAT	129900-49540	10	23		O-RING 1A P-7.0	24311-000070	17	20
	GASKET, THERMOSTAT	129900-49540	17	17		O-RING 1A S-24.0	24341-000240	2	18
	GEAR ASSY, IDLE	129900-25100	7	11		O-RING 1A S-24.0	24341-000240	17	22
	GEAR UNIT, TACHOMETER	129150-91400	2	16		O-RING P14	129900-32040	2	13
	GEAR, CAMSHAFT	129900-14100	7	7		O-RING P14	129900-32040	17	12
	GEAR, CRANKSHAFT	129900-21200	8	4		O-RING P20	129900-32030	2	12
	GEAR, FI-P	129900-25900	7	16		O-RING P20	129900-32030	9	6
	GEAR, RING	129900-21600	8	14					
	GENERATOR	119836-77200	16	1					

PARTS NAME INDEX

	PARTS NAME	PARTS No.	Fig.	RefNo.		PARTS NAME	PARTS No.	Fig.	RefNo.
O	O-RING P20	129900-32030	17	11	R	RING SET	129901-22050	8	21
P	PARALLEL PIN	121850-21290	8	5		RING SET 0. S=0. 25	129901-22950	8	39
	PARALLEL PIN 10X22	121850-21920	8	6		ROD ASSY, CONNECTING	129900-23000	8	27
	PARALLEL PIN 8X 16	22312-080160	2	14		ROD, PUSH	129900-14400	7	2
	PARALLEL PIN 8X16	129100-01580	3	1		ROTOR ASSY	119836-77700	16	2
	PIN	114250-53210	12	15	S	SCREW KID	119836-77860	16	18
	PIN, PISTON	120130-22301	8	25		SCREW M 4 X 12	26577-040122	4	42
	PINION ASSY	129900-77510	15	9		SCREW M 5X 12	26022-050122	4	51
	PIPE ASSY, LUB. OIL	129900-35000	9	7		SCREW, POLE CORE SET	171008-77450	15	5
	PIPE NO. 1, F. INJECT.	129902-59810	12	32		SCREW, VALVE	129150-11230	4	34
	PIPE NO. 2, F. INJECT.	129902-59820	12	36		SCREW, VALVE	129150-11230	4	38
	PIPE NO. 3, F. INJECT.	129902-59830	12	40		SEAL HTC95, 115, 10	124411-01780	3	7
	PIPE NO. 4, F. INJECT.	129902-59840	12	44		SEAL WASHER 6S	22190-060002	13	12
	PIPE, FUEL	105025-59580	13	24		SEAL WASHER 8S	22190-080002	9	19
	PIPE, FUEL	121250-59550	13	26		SEAL WASHER 12S	22190-120002	13	18
	PIPE, FUEL	129900-59510	13	13		SEAL WASHER 14S	22190-140002	13	1
	PIPE, FUEL	129900-59510	13	14		SEAL WASHER 14S	22190-140002	13	35
	PIPE, FUEL RETURN	124950-59560	13	27		SEAL WASHER 22S	22190-220002	3	12
	PIPE, JOINT	119006-59910	13	15		SEAL, OIL	129900-01780	2	4
	PIPE, LUB. OIL	129900-39350	9	15		SEAL, VALVE STEM	121400-11340	4	17
	PISTON W/RING	129900-22080	8	19		SEAL, VALVE STEM	121400-11340	17	10
	PISTON W/RING OS=. 25	129900-22900	8	37		SEAL, VALVE STEM	124460-11340	4	18
	PLATE	129900-11600	4	50		SEAL, VALVE STEM	124460-11340	17	3
	PLATE, STOP	114250-53140	12	14		SEAT, NOZZLE	119625-11880	4	21
	PLUG	124060-59380	13	11		SEAT, NOZZLE	119625-11880	17	5
	PLUG	171051-01921	1	6		SEAT, NOZZLE SPRING	114250-53130	12	13
	PLUG 16	27241-160000	1	14		SHAFT ASSY, ROCK. ARM	129900-11240	4	27
	PLUG 30	27241-300000	1	15		SHAFT, IDLER	129900-25060	7	10
	PLUG 40	27241-400000	4	12		SHAFT, PINION	129900-77540	15	13
	PLUG 55	27231-550000	1	13		SHIFT LEVER SET	129900-77620	15	17
	PLUG M16	121450-42450	10	33		SHIM PACK	114250-53400	12	16
	PLUG PT 1/16	23871-005000	4	11		SNAP PIN 6	22360-060000	14	6
	PLUG PT3/8, SCREW	23871-030000	1	5		SOLENOID, STOP	119807-77800	14	4
	PLUG PT3/8, SCREW	23871-030000	1	12		SPACER	119005-44761	10	17
	PLUG PT3/8, SCREW	23871-030000	10	26		SPACER	129150-77340	16	22
	PROTECTOR, NOZZLE	119625-11870	4	20		SPRING	129900-11280	4	30
	PROTECTOR, NOZZLE	119625-11870	17	4		SPRING PIN 6X12	22351-060012	1	11
	PULLEY	119836-77810	16	19		SPRING, NOZZLE	114250-53120	12	12
	PULLEY	129900-42450	10	14		SPRING, VALVE	129900-11120	4	15
	PULLEY	129900-42461	10	15		STARTER ASSY	119836-77710	16	4
	PUMP ASSY, LUB. OIL	129900-32000	2	10		STARTER (2. 3KW	129900-77010	15	1
	PUMP, COOLING WATER	129900-42000	10	1		STOPPER SET	129900-77550	15	14
R	RETAINER	119305-59120	12	23		STUD BOLT	129900-11530	4	43
	RETAINER	119625-11900	4	22		STUD BOLT	26216-100302	2	11
	RETAINER	129150-03100	4	2		STUD M 6X 20 PLATED	26216-060202	4	23
	RETAINER	129550-59120	12	27		STUD M 8X 22 PLATED	26216-080222	6	5
	RETAINER 6X 8	23297-060081	9	16		STUD M 8X 80 PLATED	26216-080802	6	7
	RETAINER, BEARING	119836-77800	16	16		STUD, LUB. OIL FILTER	119000-35140	9	5
	RETAINER, BEARING	129900-77610	15	15		SUMP ASSY, OIL	129902-01710	3	8
	RETAINER, SPRING	129795-11180	4	16		SUPPORT	129900-11510	4	31
	RING 72	22252-000721	8	44		SUPPORT	129900-11520	4	32
	RING GEAR	127410-21480	8	18		SUPPORT ASY, ROCK. ARM	129900-11200	4	26

