

Siphon break kit

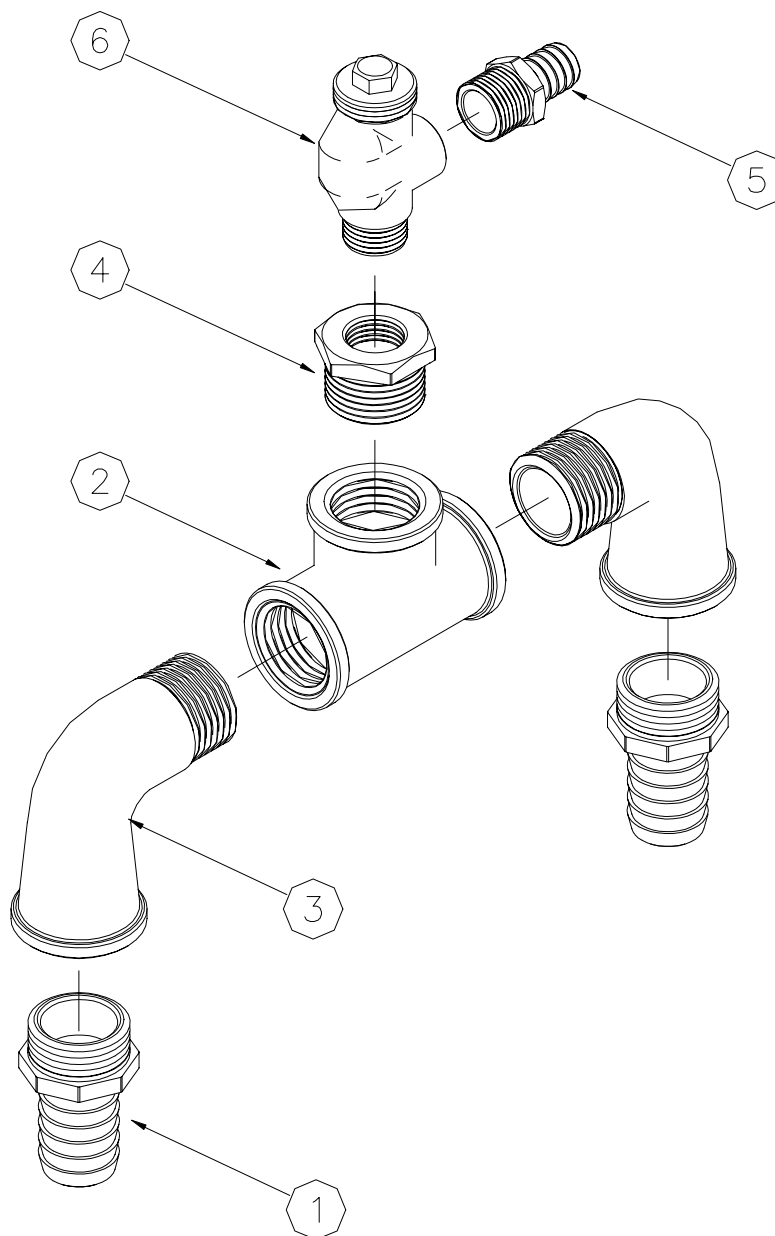
Cod. 03796

FIG.

Rev. / Rel.

Suitable for:

IS 14 - IS 19 - IS 23.5



Ref.	Cod.	Description	Q.t.
1	20338	Fitting diam. 25mm. x 1"	2
2	20340	T union size 1"	1
3	20341	Pipe fitting 90° size 1"	2
4	20344	Reducer 1" M 1/2" F	1
5	20502	Fitting diam. 14 mm. 3/8	1
6	20504	Valve siphon break RG 1/2	1