

# **YANMAR DIESEL ENGINE**

# **YANMAR**

## **PARTS CATALOG**

IS 8

**MODEL**

**3TNE78A-MG**  
(MASE)



Published

April, 1999

000Y00V6340

# PREFACE

1. This Parts Catalog carries all parts incorporated in YANMAR Model 3TNE78A - MG engine manufactured since April, 1999.
2. Each illustration corresponds to the parts list on the following page.
3. When ordering parts, clearly write down the engine model and serial number, as well as the name and number of each part in your order sheet. This will help insure reliable delivery of the parts you have ordered.

# How to read this Parts Catalog.

1. Parts mentioned in this Parts Catalog may not necessarily be standard equipping parts.
2. Parts change may be made without prior notice.
3. Form of this Parts Catalog.

REF.	LEV.	PART NO.	DESCRIPTION	(A)	(B)	(C)	(D)	(E)	(F)	P	U	A	R
1	1	729595-51390	FUEL INJECTION PUMP	1	1	1	1	1	1				
1-1	1	729595-51391	FUEL INJECTION PUMP	1	1	1	1	1	1				N
3	..	26022-060162	SCREW M 6X 16	9	9	9	9	9	9				
I 3-1	..	26022-060162	SCREW M 6X 16	4	4	4	4	4	4				K
4	..	129470-51040	CAMSHAFT	1	1	1	1	1	1				
5	..	122710-51050	BEARING, ROLLER	2	2	2	2	2	2				
6	..	129470	RETAINER	1	1	1	1	1	1				
7	..		BEARING, OIL	1	1	1	1	1	1				

REMARKS (E) (F)  
 1) BOOST COMPENSATOR TYPE. OPTIONAL PART, TO E/00155, (4JH-DT, 4JH-DTZ

## ① Ref. No.

The Ref. No. in the list may not be accord with the Ref. No. on illustration.

(Ex.) Illustration No. List head No.

1 1 (Before change) → 1-1 (After change)

When interchangeable symbol N, R and K, illustrations for the new parts are sometimes omitted.

## ② Lev.(Level)

Indication and Meaning of Level

Level: Hereunder is given the relation among the number of dots (·), the level and the nominal parent-child relationship.

- .....Parent parts(Assembly parts)
- .....Child parts included in "•"(Semi-Assembly parts, component parts of Assembly parts.)
- .....Child parts included in "••",Grand-child parts in terms of "•". (Component parts of Semi-Assembly parts.)

Note) A part of non-sale parts are illustrated but not listed.

## ③ Change Mark

Change Mark "I" is given to the part for which a design change was made at this time. The design change was not shown in the last published Parts Catalog.

## ④ Interchangeability Mark

In the case where a part change took place, one of the following interchangeability marks is indicated for that part.

Symbol	Interchangeability	Contents note
N	Old <del>NEW</del>	New Part is interchangeable for Old Part but not interchangeable conversely.
Q	Old <del>NEW</del>	New Part is not interchangeable for Old Part but interchangeable conversely.
R	Old <del>NEW</del>	New Part is interchangeable for Old Part and vice versa.
S	Old <del>NEW</del>	New Part is not interchangeable for Old Part and vice versa.
W		Part newly added.
Z		Part discontinued.
F		Not interchangeable single part but interchangeable by set of the related parts.
K		Changed only in quantity used.

## ⑤ Effective Machine No.

When a part is changed, Effective Machine No. of a Model for which the part is applicable is indicated in each column of (A) - (F).

Product symbol	Product No.	Product symbol	Product No.
C	Clutch No., Copressor No.	M	Machine No.
D	Drive No.	T	Tractor No.
E	Engine No.	Note1) *	Date

Note1) Date may follow the symbol in some cases. (Ex.) \*1990. 02

Note2) As far as engine models shown by "XXX" are concerned, the modification of the parts could not be predicted or the engine models themselves could not be identified.

Note3) (A=E00185) means that the design chang on the part has been effective for the model at the column (A) (in this case, for 4JH-DT) on and from E\_(Engine Serial Number) 00185.

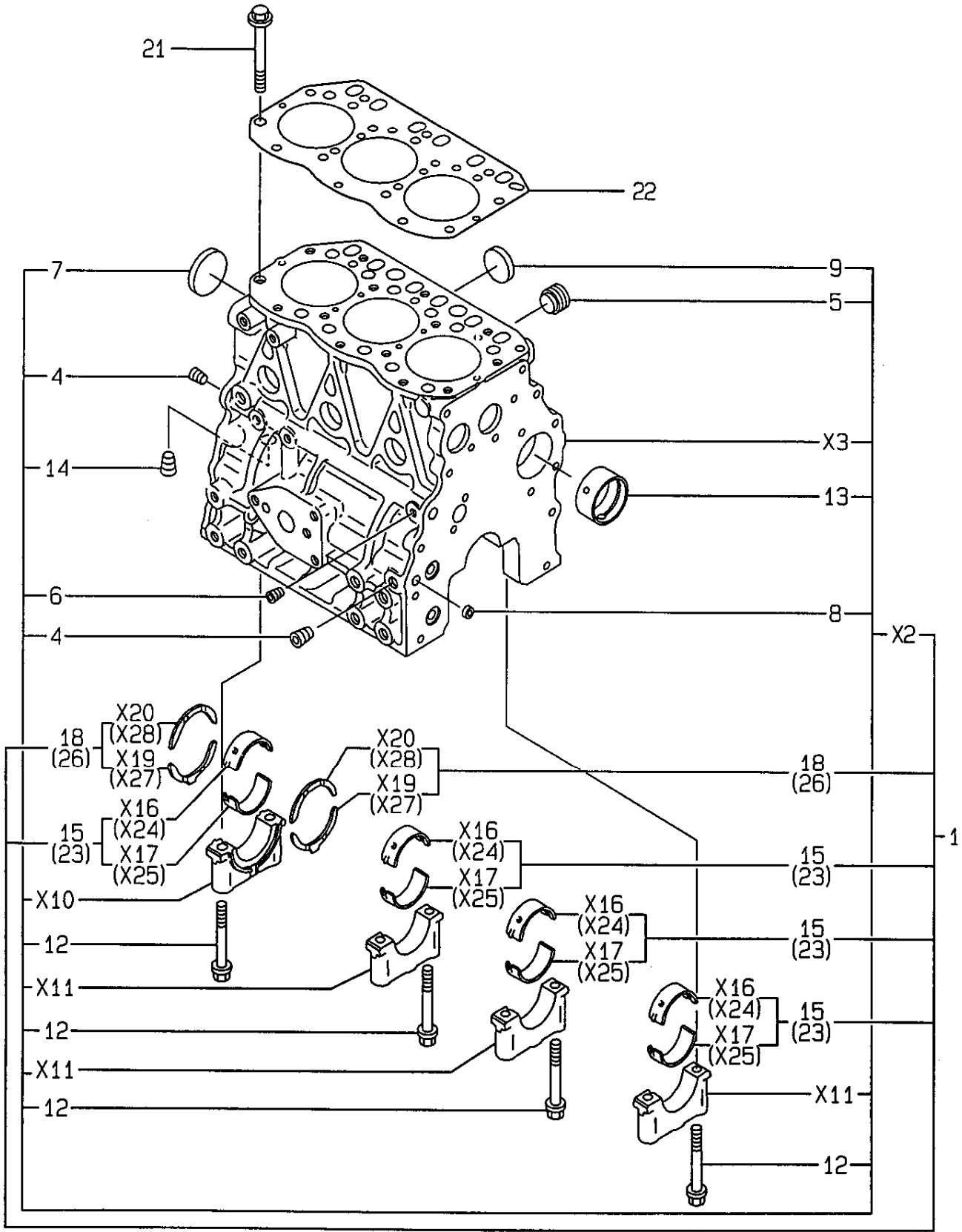
## ⑥ Remarks Mark

Figures or alphabets (Symbols) are entered in the remark column.

The comments (remarks) on the pertinent parts are indicated in the lower part of the list by the same symbols as

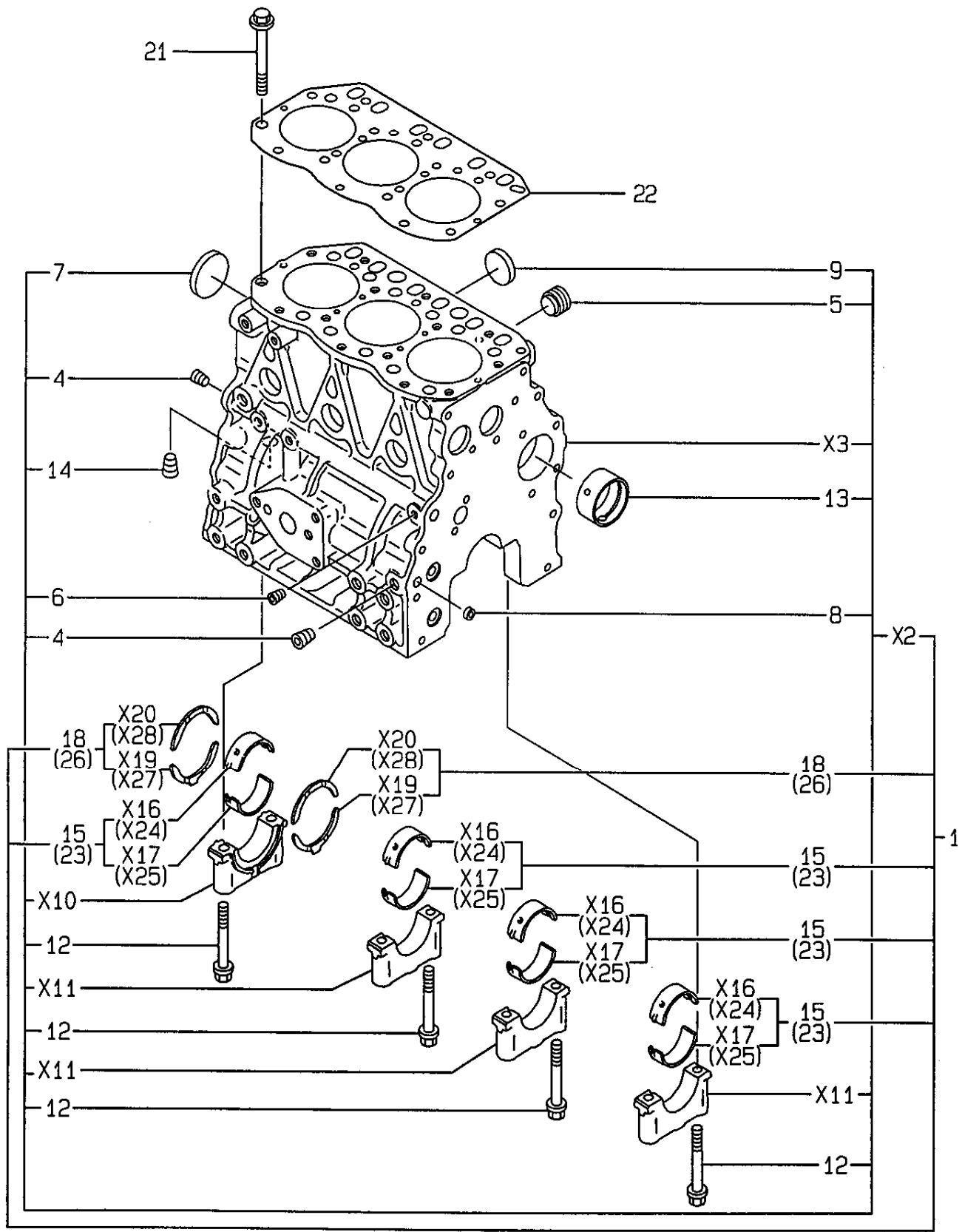


# 1. CYLINDER BLOCK



x-MARK PARTS: NOT SOLD SEPARATELY.

# 1. CYLINDER BLOCK



x-MARK PARTS: NOT SOLD SEPARATELY.

+-----+  
 | 1A02 |  
 |(1A01)|  
 +-----+  
 Y00V6340

( 1 ) CYLINDER BLOCK

99.03.30

(A)=3TNE78A-MG (D)=  
 (B)= (E)=  
 (C)= (F)=

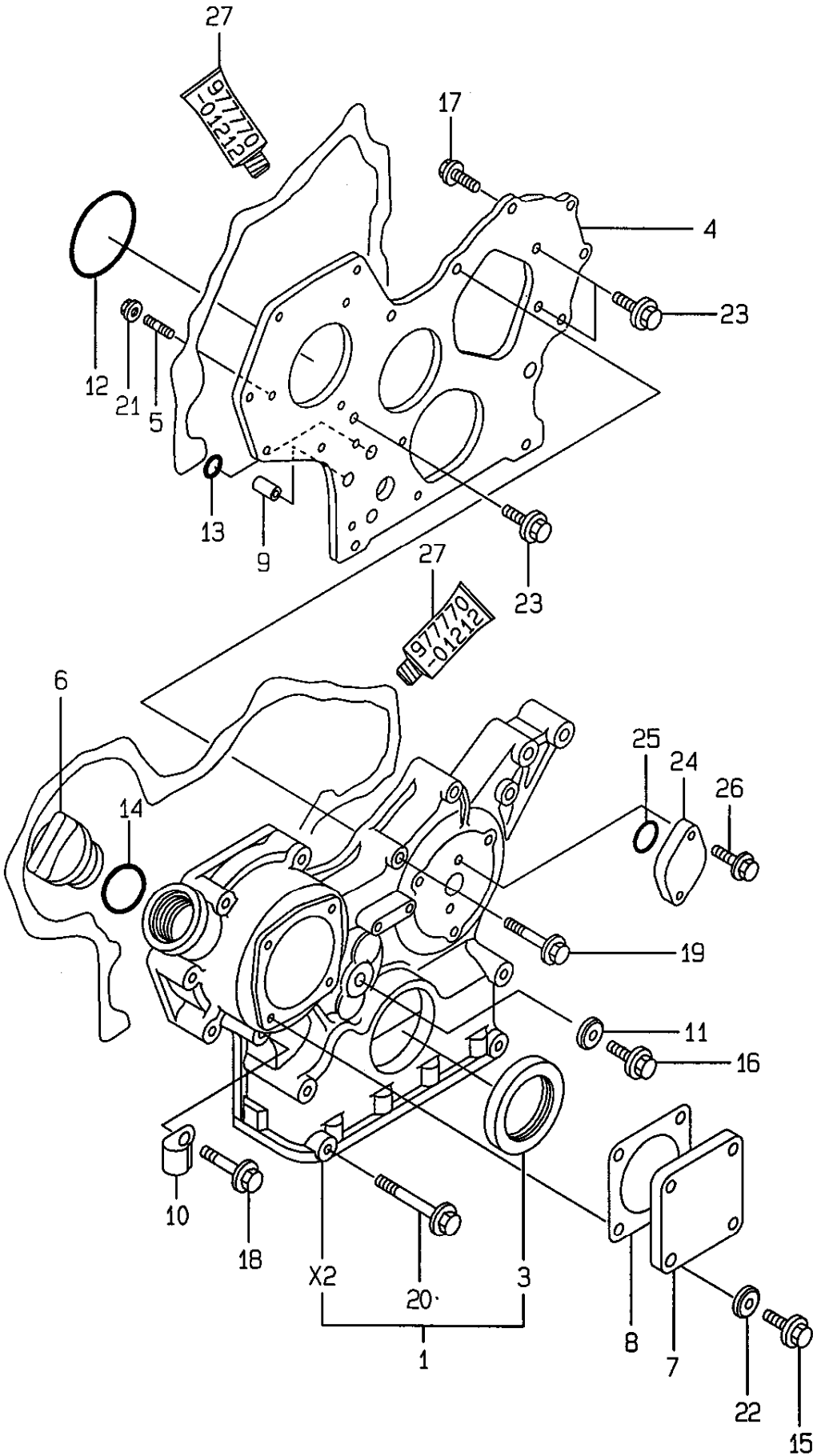
REF. NO.	LEV. 0	PART NO.	DESCRIPTION	-----Q'TY-----						I P/U A R
				(A)	(B)	(C)	(D)	(E)	(F)	
1	.	719822-01560	BLOCK ASSY, CYLINDER	1						
2	..	X 119818-01000	BLOCK ASSY, CYLINDER	1						
3	...	X 119818-01010	CYL. BLOCK	1						
4	...	124160-01910	PLUG PT1/4	2						
5	...	171051-01921	PLUG	1						
6	...	23871-010000	PLUG PT1/8,SCREW	1						
7	...	27231-500000	PLUG 50	1						
8	...	27241-120000	PLUG 12	2						
9	...	27241-300000	PLUG 30	6						
10	...	X 119810-02300	CAP,MAIN BEARING	1						
11	...	X 119810-02310	CAP,MAIN BEARING	3						
12	...	119620-02020	BOLT	8						
13	...	129795-02411	BUSH, CAMSHAFT	1						
14	...	124160-01910	PLUG PT1/4	1						
15	..	119810-02800	MAIN BEARING	4						
16	...	X 119810-02100	MAIN BEARING,UPPER	4						
17	...	X 119810-02110	MAIN BEARING,LOWER	4						
18	..	119810-02930	BEARING, THRUST	2						
19	...	X 119810-02150	THRUST BEARING,L	2						
20	...	X 119810-02160	THRUST BEARING,U	2						
21	.	119810-01200	BOLT, CYL. HEAD	14						
22	.	119818-01330	GASKET, CYL. HEAD	1						
23	.	119810-02870	MAIN BEARING US=0.25	4						(1)
24	..	X 119810-02320	MAIN BEARING 0.25U.S	4						(1)
25	..	X 119810-02330	MAIN BEARING 0.25U.S	4						(1)
26	.	119810-02940	BEARING,THRUST .250S	2						(2)
27	..	X 119810-02360	LOWER,THRUST BEARING	2						(2)
28	..	X 119810-02370	UPPER,THRUST BEARING	2						(2)

----- REMARKS -----

| (1) UNDER-SIZE(U.S=0.25)PART.  
 | (2) OVER-SIZE(O.S=0.25)PART.

Y118727

## 2. GEAR HOUSING



X-MARK PARTS: NOT SOLD SEPARATELY.

+-----+  
 | 1A03 |  
 |(1A01)|  
 +-----+  
 Y00V6340

( 2 ) GEAR HOUSING

99.03.30

(A)=3TNE78A-MG (D)=  
 (B)= (E)=  
 (C)= (F)=

REF. NO.	LEV. 0	PART NO.	DESCRIPTION	-----Q'TY-----						I P/U A R
				(A)	(B)	(C)	(D)	(E)	(F)	
1	.	719810-01500	HOUSING ASSY, GEAR	1						
2	..	X 129400-01500	HOUSING, GEARS	1						
3	..	129795-01800	SEAL, OIL	1						
4	.	129400-01520	FLANGE, GEARS HOUSING	1						
5	.	121450-01560	STUD M 8X 22	3						
6	.	124160-01751	CAP, LUB.OIL SUPPLY	1						
7	.	124240-01871	COVER, HO-P	1						
8	.	124240-01883	GASKET, (NON-ASB.)	1						
9	.	129795-01950	PIPE, KNOCK L=18	2						
10	.	129150-03100	RETAINER	1						
11	.	22190-080002	SEAL WASHER 8S	1						
12	.	121850-51960	O-RING, F.I.PUMP	1						
13	.	24311-000160	O-RING 1A P-16.0	2						
14	.	24311-000320	O-RING 1A P-32.0	1						
15	.	26106-080122	BOLT M 8X 12 PLATED	4						
16	.	26106-080162	BOLT M 8X 16 PLATED	1						
17	.	26106-080202	BOLT M 8X 20 PLATED	2						
18	.	26106-080452	BOLT M 8X 45 PLATED	6						
19	.	26106-080552	BOLT M 8X 55 PLATED	3						
20	.	129001-91840	BOLT M8X85(AUTO	4						
21	.	26366-080002	NUT M 8	3						
22	.	22190-080002	SEAL WASHER 8S	4						
23	.	26106-080162	BOLT M 8X 16 PLATED	3						
24	.	121023-01550	COVER, BLIND	1						
25	.	24341-000240	O-RING 1A S-24.0	1						
26	.	26106-060162	BOLT M 6X 16 PLATED	2						
27	.	977770-01212	GASKET, LIQUID	1						(1)

REMARKS

(1) OPTIONAL PART.

Y118728



+-----+  
 | 1A04 |  
 |(1A01)|  
 +-----+  
 Y00V6340

( 3 ) MOUNTING FLANGE & OIL SUMP

99.03.30

(A)=3TNE78A-MG (D)=  
 (B)= (E)=  
 (C)= (F)=

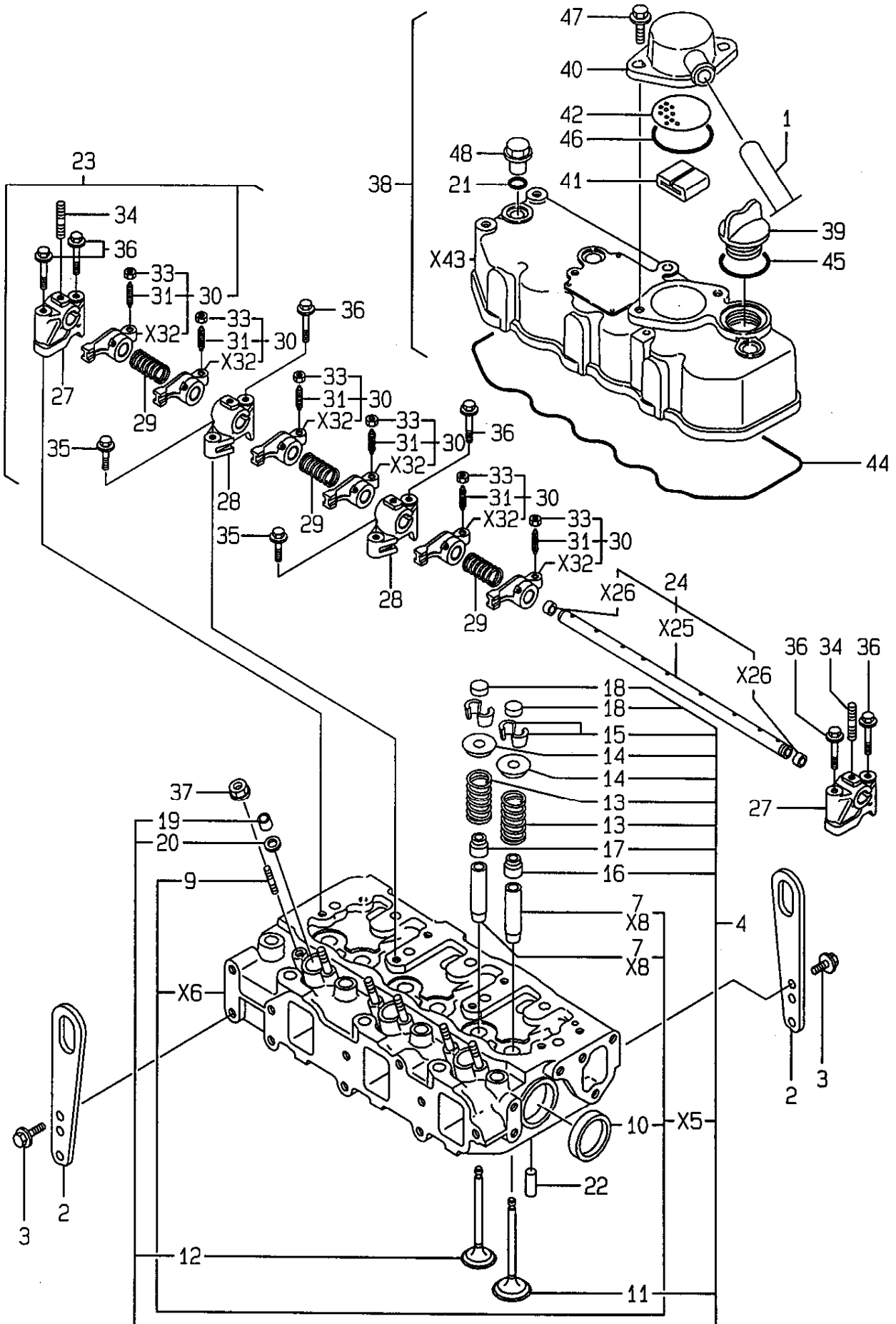
REF. NO.	LEV. 0	PART NO.	DESCRIPTION	-----Q'TY-----						I P/U A R
				(A)	(B)	(C)	(D)	(E)	(F)	
1	.	129100-01580	PARALLEL PIN 8X16	2						
2	.	129176-01601	MOUNTING FLANGE	1						
3	.	26106-080352	BOLT M 8X 35 PLATED	3						
4	.	26206-100252	BOLT M10X25	4						
5	.	26206-100202	BOLT M10X20	6						
6	.	119810-01730	SPACER, L.O. SUMP	1						
7	.	119810-01770	SUMP ASSY, OIL	1						
8	..	119640-01640	DRAIN PLUG M22	1						
9	.. X	119810-01700	OIL SUMP	1						
10	..	22190-220002	SEAL WASHER 22S	1						
11	.	26106-080162	BOLT M 8X 16 PLATED	6						
12	.	26106-080452	BOLT M 8X 45 PLATED	22						
13	.	129100-01580	PARALLEL PIN 8X16	2						
14	.	719810-01650	CASE ASSY, OIL SEAL	1						
15	.. X	119860-01650	CASE, OIL SEAL	1						
16	..	119810-01780	SEAL, OIL	1						
17	.	129486-01670	BOLT M8X30, COLLAR HD	6						
18	.	977770-01212	GASKET, LIQUID	1						(1)

----- REMARKS -----

| (1) OPTIONAL PART.

Y118729

# 4. CYLINDER HEAD & BONNET



x-MARK PARTS: NOT SOLD SEPARATELY.

+-----+  
 | 1A05 |  
 |(1A01)|  
 +-----+  
 Y00V6340

( 4 ) CYLINDER HEAD & BONNET

99.03.30

(A)=3TNE78A-MG (D)=  
 (B)= (E)=  
 (C)= (F)=

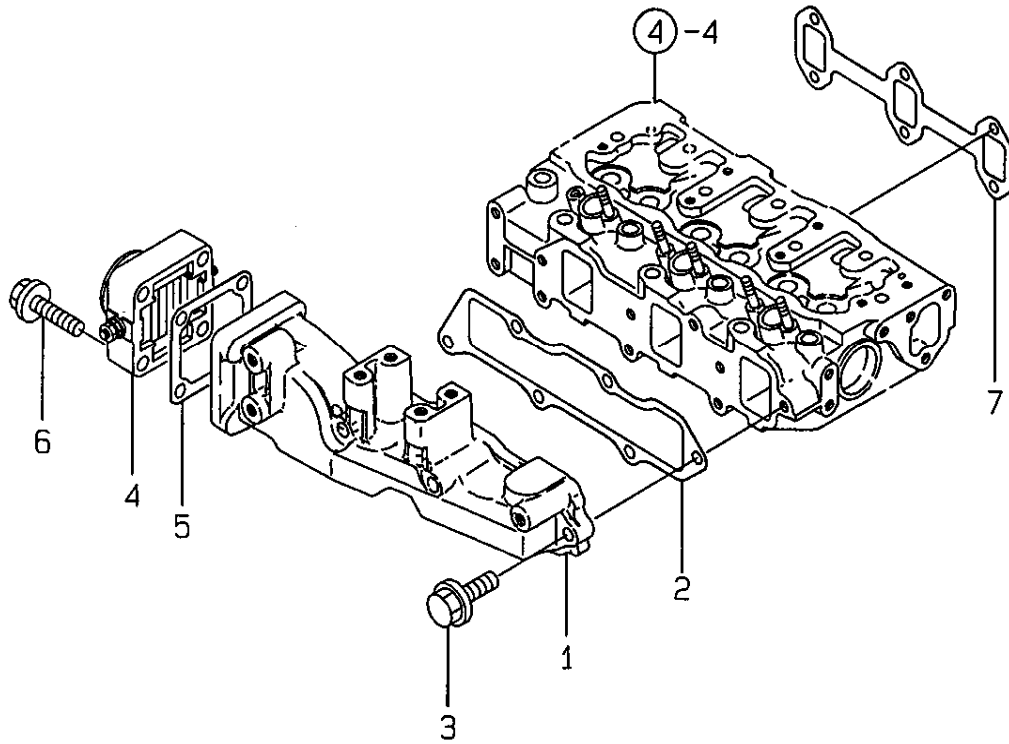
REF. NO.	LEV. 0	PART NO.	DESCRIPTION	-----Q'TY-----						I P/U A R
				(A)	(B)	(C)	(D)	(E)	(F)	
1	.	129150-03090	PIPE	1						
2	.	129900-07900	LIFTER, ENGINE	2						
3	.	26106-080162	BOLT M 8X 16 PLATED	4						
4	.	119812-11700	HEAD ASSY, CYLINDER	1						
5	.. X	119813-11000	HEAD ASSY, CYLINDER	1						
6	... X	119813-11030	HEAD, CYLINDER	1						
7	...	124060-11800	GUIDE, VALVE	6						
8	... X	124060-11160	GUIDE, SUCTION VELVE	6						(1)
9	...	26216-060302	STUD M 6X 30 PLATED	6						
10	...	27241-400000	PLUG 40	2						
11	..	119810-11100	VALVE, SUCTION	3						
12	..	119810-11110	VALVE, EXHAUST	3						
13	..	119810-11120	SPRING, VALVE	6						
14	..	104211-11180	RETAINER, SPRING	6						
15	..	27310-070000	COTTER	6						
16	..	124160-11340	SEAL, VALVE STEM	3						
17	..	124950-11340	SEAL, VALVE STEM	3						
18	..	104211-11370	CAP, VALVE	6						
19	..	119625-11870	PROTECTOR, NOZZLE	3						
20	..	119625-11880	SEAT, NOZZLE	3						
21	.	24311-000120	O-RING 1A P 12.0	3						
22	.	22351-060012	SPRING PIN 6X12	2						
23	.	119865-11210	SUPPORT ASSY, ROCKER	1						
24	..	119810-11240	SHAFT, ROCKER ARM	1						
25	... X	119810-11250	SHAFT	1						
26	... X	27241-100000	PLUG 10	2						
27	..	129155-11260	SUPPORT, ROCKER ARM	2						
28	..	129155-11270	SUPPORT, ROCKER ARM	2						
29	..	129150-11280	SPRING	3						
30	..	719810-11660	ARM ASSY, ROCKER	6						
31	...	129150-11230	SCREW, VALVE	6						
32	... X	119810-11720	ARM	6						
33	...	129150-11750	NUT M8XP1.0	6						
34	..	26226-080182	STUD M 8X 18 PLATED	3						
35	.	26106-080252	BOLT M 8X 25 PLATED	2						
36	.	26106-080502	BOLT M 8X 50 PLATED	6						
37	.	26366-060002	NUT M 6	6						
38	.	719810-11520	BONNET ASSY, HEAD	1						
39	..	124160-01751	CAP, LUB.OIL SUPPLY	1						
40	..	129150-03020	COVER, BREATHER	1						
41	..	129150-03070	BAFFLE, BREATHER	1						
42	..	129150-03080	PLATE, SHELTER	1						
43	.. X	119810-11300	BONNET	1						
44	..	119865-11310	GASKET, BONNET	1						
45	..	24311-000320	O-RING 1A P-32.0	1						
46	..	24341-000500	O-RING 1A S-50.0	1						
47	..	26106-080162	BOLT M 8X 16 PLATED	2						
48	.	124160-11360	KNOB	3						

----- REMARKS -----

| (1) REPAIR PART.

Y118730

# 5. SUCTION MANIFOLD



+-----+  
| 1A06 |  
|(1A01)|  
+-----+  
Y00V6340

( 5 ) SUCTION MANIFOLD

99.03.30

(A)=3TNE78A-MG (D)=  
(B)= (E)=  
(C)= (F)=

REF. NO.	LEV. 0	PART NO.	DESCRIPTION	-----Q'ITY----- I P/U A R					
				(A)	(B)	(C)	(D)	(E)	(F)
1	.	119813-12100	MANIFOLD, INTAKE	1					
2	.	119813-12110	GASKET, INT. MANIFOLD	1					
3	.	26106-080252	BOLT M 8X 25 PLATED	6					
4	.	129120-77501	HEATER, AIR	1					
5	.	129150-77511	GASKET, (NON-ASB.)	1					
6	.	26106-080352	BOLT M 8X 35 PLATED	4					
7	.	119810-13110	GASKET, EXH.MANIFOLD	1					



+-----+  
 | 1A07 |  
 |(1A01)|  
 +-----+  
 Y00V6340

( 6 ) CAMSHAFT & DRIVING GEAR

99.03.30

(A)=3TNE78A-MG (D)=  
 (B)= (E)=  
 (C)= (F)=

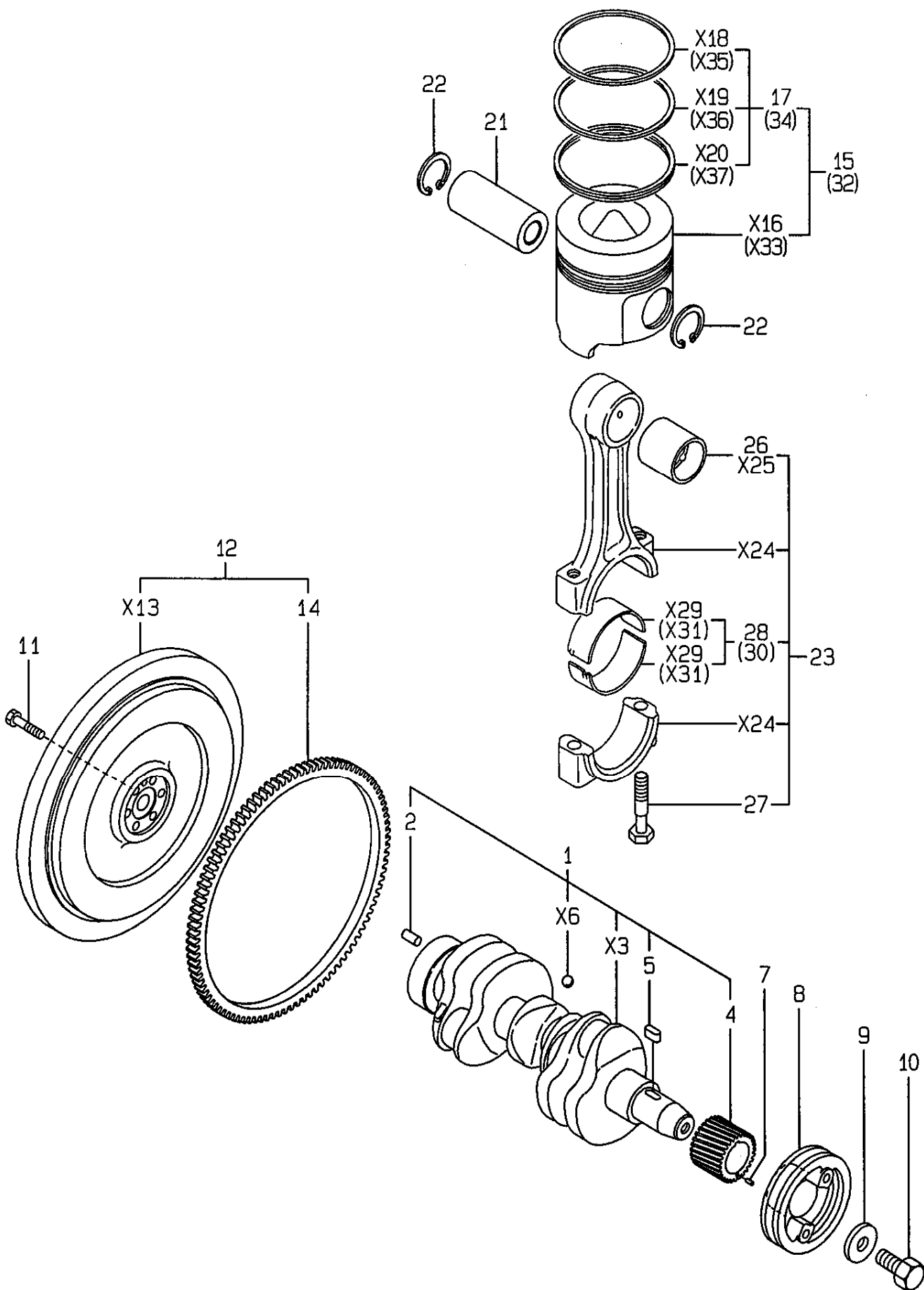
REF. NO.	LEV. 0	PART NO.	DESCRIPTION	-----Q'TY-----						I P/U A R
				(A)	(B)	(C)	(D)	(E)	(F)	
1	.	129150-14200	TAPPET	6						
2	.	119810-14400	ROD, PUSH	6						
3	.	119810-14580	CAMSHAFT ASSY	1						
4	..	129150-02450	METAL, THRUST	1						
5	..	X 119810-14011	CAMSHAFT	1						
6	..	129150-14101	GEAR, CAMSHAFT	1						
7	..	22512-070140	KEY 7X 14	1						
8	.	26106-080142	BOLT M 8X 14 PLATED	2						
9	.	129100-25061	SHAFT, IDLE GEAR	1						
10	.	129150-25101	GEAR W/BUSH	1						
11	..	X 129150-25010	GEAR, IDLE	1						
12	..	X 129150-25061	BUSH, IDLE GEAR	1						
13	..	129150-25920	BUSH, IDLE GEAR	1						(1)
14	.	26106-080452	BOLT M 8X 45 PLATED	2						
15	.	129150-25900	GEAR, FUEL INJ. PUMP	1						
16	.	22217-120000	SPRING WASHER	1						
17	.	26716-120002	NUT 12	1						

----- REMARKS -----

| (1) REPAIR PART.

Y118732

# 7. CRANKSHAFT & PISTON



x-MARK PARTS: NOT SOLD SEPARATELY.

+-----+  
 | 1A08 |  
 |(1A01)|  
 +-----+  
 Y00V6340

( 7 ) CRANKSHAFT & PISTON

99.03.30

(A)=3TNE78A-MG (D)=  
 (B)= (E)=  
 (C)= (F)=

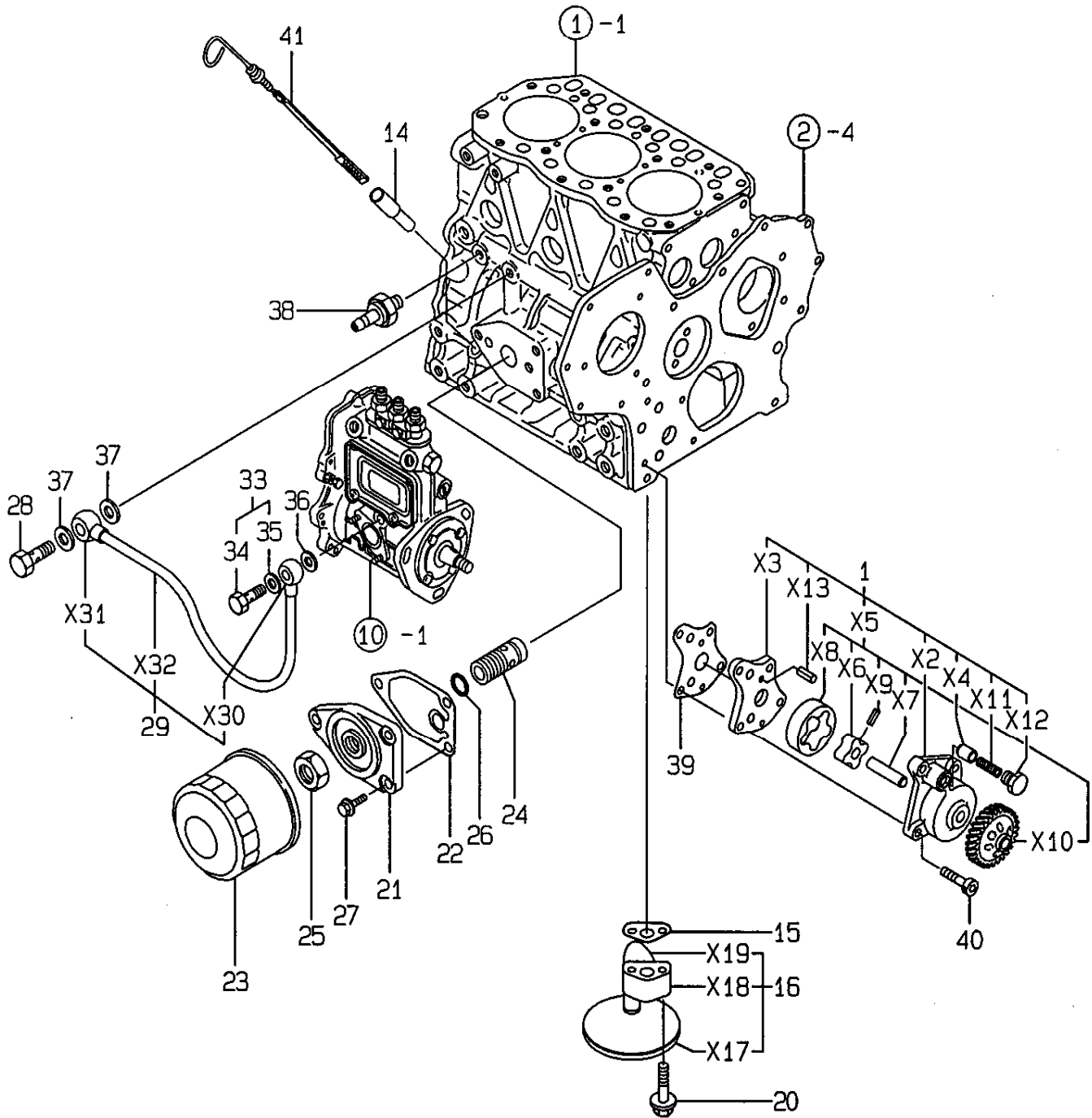
REF. NO.	LEV. 0	PART NO.	DESCRIPTION	-----Q'TY-----						I P/U A R
				(A)	(B)	(C)	(D)	(E)	(F)	
1	.	119813-21000	CRANKSHAFT ASSY	1						
2	..	129100-01580	PARALLEL PIN 8X16	1						
3	.. X	119813-21010	CRANKSHAFT	1						
4	..	129150-21200	GEAR, CRANKSHAFT	1						
5	..	22512-070140	KEY 7X 14	1						
6	.. X	24190-080001	BALL 1/4, STEEL	3						
7	.	22351-040010	SPRING PIN 4X10	1						
8	.	129550-21650	V-PULLEY, CRANKSHAFT	1						
9	.	129795-21661	WASHER	1						
10	.	121850-21680	BOLT, V-PULLEY	1						
11	.	121111-21501	BOLT, FLYWHEEL	6						
12	.	119811-21570	FLYWHEEL W/GEAR	1						
13	.. X	119811-21420	FLYWHEEL	1						
14	..	124550-21600	RING GEAR	1						
15	.	119818-22080	PISTON W/RINGS	3						
16	.. X	119818-22010	PISTON	3						
17	..	119818-22500	RING SET	3						
18	... X	119818-22100	TOPRING	3						
19	... X	129550-22110	RING,2ND	3						
20	... X	119818-22200	OILRING	3						
21	.	119813-22300	PIN, PISTON	3						
22	.	129792-22400	CIRCLIP 23	6						
23	.	719810-23100	ROD ASSY, CONNECTING	3						
24	.. X	119810-23010	ROD,CONNECTING	3						
25	.. X	119810-23100	BUSH, PISTON PIN	3						
26	..	119810-23910	BUSH, PISTON PIN	3						(1)
27	..	119810-23200	BOLT, CONNECTING ROD	6						
28	..	119810-23600	BEARING, CRANKPIN	3						
29	... X	119810-23300	BEARING	6						
30	.	119810-23610	BEARING,PIN U.S=0.25	3						(2)
31	.. X	119810-23350	BEARING,PIN US=0.25	6						(2)
32	.	119818-22900	PISTON W/RING OS=.25	3						(3)
33	.. X	119818-22700	PISTON O.S=0.25	3						(3)
34	..	119818-22950	RING SET O.S=0.25	3						(3)
35	... X	119818-22750	RING, TOP O.S=0.25	3						(3)
36	... X	129555-22760	RING,2ND O.S=0.25	3						(3)
37	... X	119818-22800	RING,OIL O.S=0.25	3						(3)

----- REMARKS -----

| (1) REPAIR PART.  
 | (2) UNDER-SIZE(U.S=0.25)PART.  
 | (3) OVER-SIZE(O.S=0.25)PART.

Y118733

# 8.LUB.OIL SYSTEM



X-MARK PARTS: NOT SOLD SEPARATELY.

+-----+  
 | 1A09 |  
 |(1A01)|  
 +-----+  
 Y00V6340

( 8 ) LUB.OIL SYSTEM

99.03.30

(A)=3TNE78A-MG (D)=  
 (B)= (E)=  
 (C)= (F)=

REF. NO.	LEV. 0	PART NO.	DESCRIPTION	-----Q'TY----- I P/U A R					
				(A)	(B)	(C)	(D)	(E)	(F)
1	.	129001-32001	PUMP ASSY, LUB. OIL	1					
2	..	X 129001-32010	BODY	1					
3	..	X 119810-32080	PIN 4X8	1					
4	..	X 129001-32130	VALVE, RELIEF	1					
5	..	X 129001-32150	ROTOR ASSY	1					
6	...	X 129150-32100	ROTER, INNER	1					
7	...	X 129001-32110	SHAFT, L.O. PUMP	1					
8	...	X 129150-32120	ROTER, OUTER	1					
9	...	X 121850-32170	PIN	1					
10	...	X 129150-32201	GEAR, L.O. PUMP	1					
11	..	X 129001-32320	SPRING	1					
12	..	X 129001-32330	PLUG	1					
13	..	X 22351-040008	SPRING PIN 4X 8	2					
14	.	121520-34810	GUIDE, DIPSTICK	1					
15	.	129150-35041	GASKET, (NON-ASB.)	1					
16	.	119810-35300	PIPE ASSY, OIL INLET	1					
17	..	X 171301-35010	FILTER	1					
18	..	X 129150-35030	FLANGE	1					
19	..	X 119810-35310	LO PICK-UP LINE	1					
20	.	26106-080352	BOLT M 8X 35 PLATED	2					
21	.	129150-35101	BRACKET, STRAINER	1					
22	.	129150-35111	GASKET, (NON-ASB.)	1					
23	.	129150-35151	FILTER 80X80L	1					
24	.	129001-35300	BOLT, LUB.O. STRAINER	1					
25	.	129150-35350	NUT	1					
26	.	24311-000160	O-RING 1A P-16.0	1					
27	.	26106-080202	BOLT M 8X 20 PLATED	3					
28	.	124160-39140	BOLT 10, PIPE JOINT	1					
29	.	119810-39200	PIPE ASSY, LUB. OIL	1					
30	..	X 129150-39150	JOINT 8	1					
31	..	X 129150-39180	JOINT 10	1					
32	..	X 119810-39410	TUBE	1					
33	.	124550-59830	BOLT W/ SEAL WASHER	1					
34	..	124550-59820	BOLT 8, PIPE JOINT	1					
35	..	22190-080002	SEAL WASHER 8S	1					
36	.	22190-080002	SEAL WASHER 8S	1					
37	.	23414-100000	GASKET 10, ROUND	2					
38	.	124160-39450	SWITCH, OIL PRESSURE	1					
39	.	129150-32020	GASKET, L.O. PUMP	1					
40	.	26450-060252	BOLT M 6X 25	4					
41	.	119932-34800	DIPSTICK, LUB. OIL	1					



+-----+  
 | 1A10 |  
 |(1A01)|  
 +-----+  
 Y00V6340

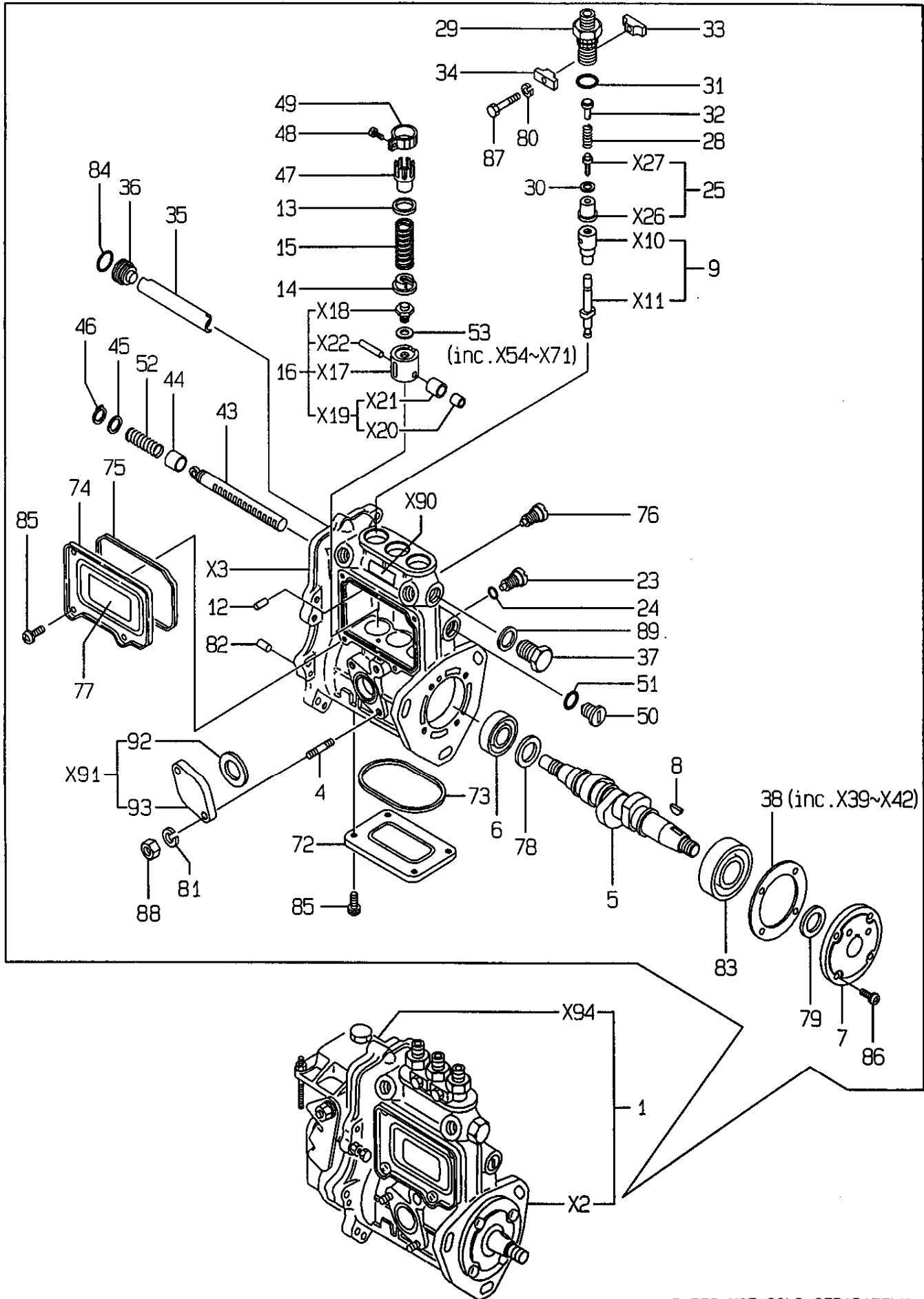
( 9 ) COOLING WATER SYSTEM

99.03.30

(A)=3TNE78A-MG (D)=  
 (B)= (E)=  
 (C)= (F)=

REF. NO.	LEV. 0	PART NO.	DESCRIPTION	-----Q'TY-----						I	P	U	A	R
				(A)	(B)	(C)	(D)	(E)	(F)					
1	.	119810-42001	PUMP, C.W. (NON-ASB.)	1										
2	..	X 119810-42030	BODY	1										
3	..	X 119810-42051	GASKET, (NON-ASB.)	1										
4	..	X 119810-42120	PLATE	1										
5	..	X 129350-42200	IMPELLER	1										
6	..	X 121450-42240	SHAFT, IMPELLER	1										
7	..	X 119810-42260	FLANGE	1										
8	..	X 119810-42281	GASKET, (NON-ASB.)	1										
9	..	X 119810-42290	PIPE, C.W. PUMP	1										
10	..	X 121450-42310	SEAL, MECHANICAL	1										
11	..	129150-42320	O-RING	1										
12	..	23871-030000	PLUG PT3/8, SCREW	2										
13	..	X 26106-060142	BOLT M 6X 14 PLATED	2										
14	.	129150-42020	GASKET, C.W. PUMP	1										
15	.	26106-080352	BOLT M 8X 35 PLATED	1										
16	.	26106-080552	BOLT M 8X 55 PLATED	3										
17	.	25132-003800	V-BELT (A-38)	1										
18	.	129155-42350	V-PULLEY, C.W. PUMP	1										
19	.	26014-060142	BOLT M 6X 14	4										
20	.	119889-49530	COVER, THERMOSTAT	1										
21	.	129795-49551	GASKET, (NON-ASB.)	1										
22	.	46150-503100	SENDER	1										
23	.	124465-44950	GASKET 16	2										
24	.	121450-42450	PLUG M16	1										
25	.	26106-080252	BOLT M 8X 25 PLATED	1										
26	.	26106-080652	BOLT M 8X 65 PLATED	1										
27	.	119620-49290	COCK ASSY 1/4	1										
28	..	X 119620-49300	BODY, COCK	1										
29	..	X 119620-49310	VALVE	1										
30	.	129155-49800	THERMOSTAT	1										
31	.	129150-49811	GASKET, (NON-ASB.)	1										

# 10. FUEL INJECTION PUMP



x-MARK PARTS: NOT SOLD SEPARATELY.

+-----+  
 | 1A11 |  
 |(1A01)|  
 +-----+  
 Y00V6340

( 10 ) FUEL INJECTION PUMP

99.03.30

(A)=3TNE78A-MG (D)=  
 (B)= (E)=  
 (C)= (F)=

REF. NO.	LEV. 0	PART NO.	DESCRIPTION	-----Q'TY-----						I P/U A R
				(A)	(B)	(C)	(D)	(E)	(F)	
1	.	719989-51320	FUEL INJECTION PUMP	1						(1)
2	.. X	129108-51000	FUEL INJECTION PUMP	1						
3	... X	129155-51010	BODY, FUEL I. PUMP	1						
4	...	129155-51020	STUD, FEED PUMP	2						
5	...	119810-51040	CAMSHAFT	1						
6	...	129155-51050	BALL BEARING, THRUST	1						
7	...	129155-51060	CAM SHAFT SUPPORT	1						
8	...	122710-51090	KEY	1						
9	...	129108-51100	PLUNGER W/BARREL	3						
10	....X	129400-51110	BARREL	3						
11	....X	129108-51130	PLUNGER	3						
12	...	129155-51140	PIN, BARREL LOCKING	3						
13	...	174307-51170	RETAINER A	3						
14	...	129155-51180	SPRING SHOE, PLUNGER	3						
15	...	124950-51190	SPRING, PLUNGER	3						
16	...	129155-51200	TAPPET ASSY	3						
17	....X	129155-51240	GUIDE, ROLLER	3						
18	....X	129155-51250	BOLT, ADJUSTING	3						
19	....X	711100-51540	ROLLER ASSY	3						
20	....X	111100-51210	ROLLER, INNER	3						
21	....X	111100-51220	ROLLER	3						
22	....X	174100-54120	PIN, ROLLER	3						
23	...	129155-51270	LOCKING, TAPPET	3						
24	...	129155-51280	O-RING S6	3						
25	...	129100-51300	VALVE W/SEAT, DELIV.	3						
26	....X	124550-51310	SEAT	3						
27	....X	129100-51320	VALVE, DELIVERY	3						
28	...	129155-51320	SPRING, DELIV. VALVE	3						
29	...	129155-51340	GUARD, DELIVERY VALVE	3						
30	...	124550-51350	GASKET, DELIVERY	3						
31	...	124550-51370	O-RING, DELIVERY	3						
32	...	129155-51370	STOPPER, VALVE	3						
33	...	129155-51380	LOCKING (A)	2						
34	...	129155-51390	LOCKING (B)	2						
35	...	129155-51400	DEFLECTOR	1						
36	...	129155-51410	CHECK BOLT, DEFLECTOR	1						
37	...	129155-51420	PLUG (M16)	1						
38	...	129155-51450	SHIM SET, ADJUSTING	1						
39	....X	129155-51460	PACKING T=0.5	1						
40	....X	129155-51470	PACKING T=0.4	1						
41	....X	129155-51480	PACKING T=0.3	1						
42	....X	129155-51490	PACKING T=0.15	1						
43	...	129155-51500	RACK, CONTROL	1						
44	...	129155-51521	BUSH, RACK	1						
45	...	129155-51530	SPACER, AUX. SPRING	1						
46	...	129155-51540	CIRCLIP	1						
47	...	129155-51550	PINION, CONTROL	3						
48	...	122117-51560	SCREW, PINION	3						
49	...	174307-51560	PINION	3						
50	...	129155-51570	PLUG (M12)	1						
51	...	129155-51580	O-RING	1						
52	...	129155-51591	SPRING, RACK	1						
53	...	129155-51600	SHIM PACK	3						
54	....X	129155-51610	SHIM T=1.0	3						

\*\* CONTINUE \*\*

Y118736



+-----+  
 | 1A12 |  
 |(1A01)|  
 +-----+  
 Y00V6340

( 10 ) FUEL INJECTION PUMP

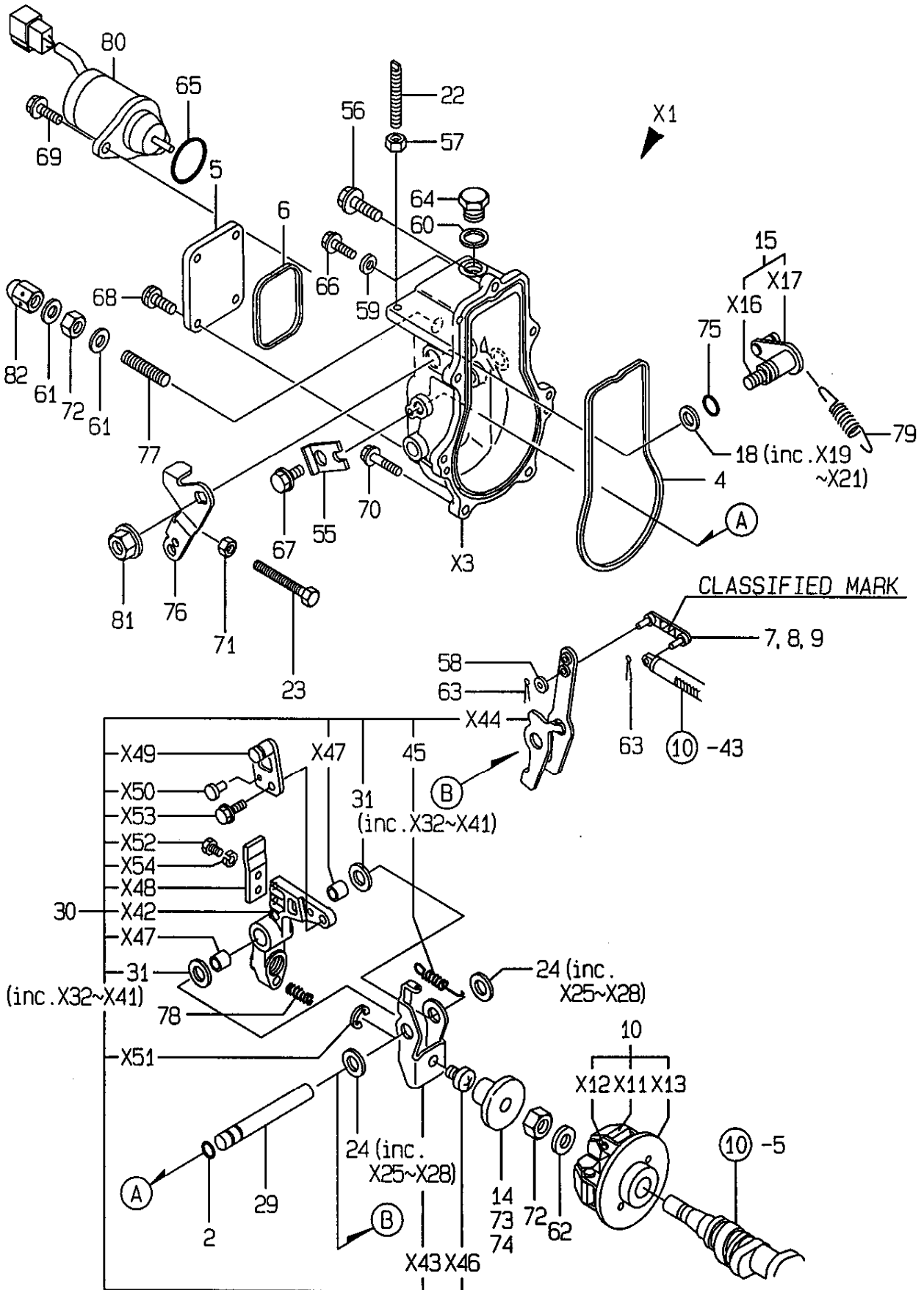
(A)=3TNE78A-MG (D)=  
 (B)= (E)=  
 (C)= (F)=

REF. NO.	LEV. 0	PART NO.	DESCRIPTION	-----Q'TY-----						I	P	U	A	R
				(A)	(B)	(C)	(D)	(E)	(F)					
55	....X	129155-51620	SHIM T=1.1	3										
56	....X	129155-51630	SHIM T=1.2	3										
57	....X	129155-51640	SHIM T=1.3	3										
58	....X	129155-51650	SHIM T=1.4	3										
59	....X	129155-51660	SHIM T=1.5	3										
60	....X	129155-51670	SHIM T=1.6	3										
61	....X	129156-51710	SHIM T=1.05	3										
62	....X	129156-51720	SHIM T=1.15	3										
63	....X	129156-51730	SHIM T=1.25	3										
64	....X	129156-51740	SHIM T=1.35	3										
65	....X	129156-51750	SHIM T=1.45	3										
66	....X	129156-51760	SHIM T=1.55	3										
67	....X	129156-51770	SHIM T=1.65	3										
68	....X	129157-51810	SHIM T=0.8	3										
69	....X	129157-51820	SHIM T=0.85	3										
70	....X	129157-51830	SHIM T=0.9	3										
71	....X	129157-51840	SHIM T=0.95	3										
72	...	129155-51700	COVER, LOWER	1										
73	...	129155-51710	GASKET, LOWER COVER	1										
74	...	129155-51750	COVER, SIDE	1										
75	...	129155-51760	GASKET, SIDE COVER	1										
76	...	129155-51790	LOCKING, RACK	1										
77	...	129156-51910	LABEL, CAUTION	1										
78	...	129155-51930	SPACER T=3.25	1										
79	...	129155-51940	SPACER T=1.5	1										
80	...	22217-050000	SPRING WASHER 5	2										
81	...	22217-060000	SPRING WASHER 6	2										
82	...	22351-050010	SPRING PIN 5X10	2										
83	...	24101-063034	BALL BEARING	1										
84	...	24341-000160	O-RING 1A S-16.0	1										
85	...	26022-050102	SCREW M 5X 10	8										
86	...	26022-060162	SCREW M 6X 16	4										
87	...	26116-050302	BOLT M 5X 30 PLATED	2										
88	...	26716-060002	NUT 6	2										
89	...	22190-160002	SEAL WASHER 16S	1										
90	.. X	119989-51930	LABEL, ENGINE MODEL	1										
91	.. X	129255-52000	COVER	1										
92	...	129155-52050	GASKET	1										
93	...	129100-52200	COVER, BLIND	1										
94	.. X	119120-61000	GOVERNOR ASSY	1										

----- REMARKS -----

| (1) GOVERNOR ASSY(FIG.11) IS  
 | INCORPORATED IN THIS FOP.CMP  
 | (REF.NO.1).

# 11. GOVERNOR



X-MARK PARTS: NOT SOLD SEPARATELY.

+-----+  
 | 1A13 |  
 | (1A01) |  
 +-----+  
 Y00V6340

## ( 11 ) GOVERNOR

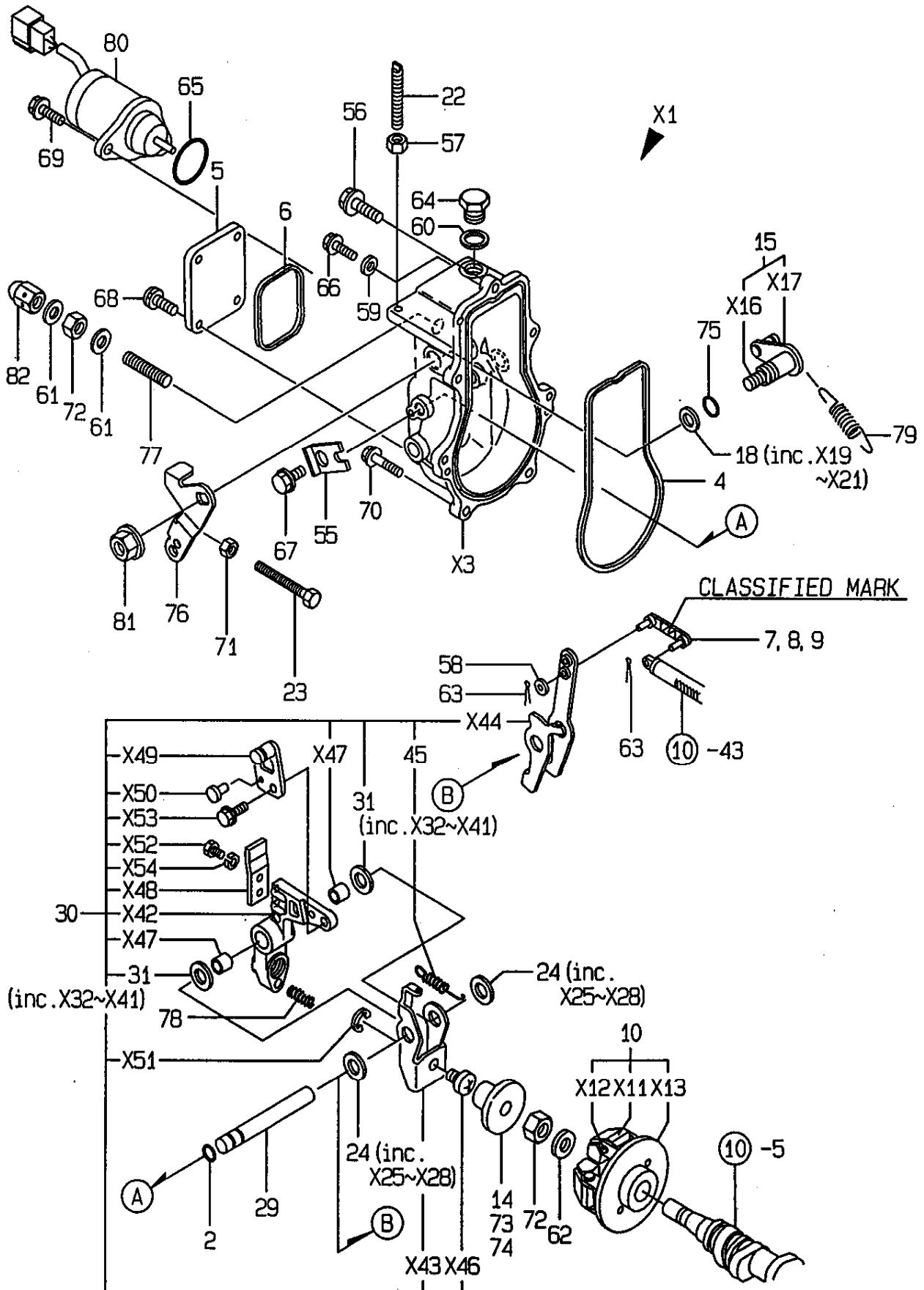
(A)=3TNE78A-MG (D)=  
 (B)= (E)=  
 (C)= (F)=

REF. NO.	LEV.	O	PART NO.	DESCRIPTION	-----Q'TY-----						I	P	U	A	R
					(A)	(B)	(C)	(D)	(E)	(F)					
1	..	X	119120-61000	GOVERNOR ASSY	1										
2	...		129155-51280	O-RING S6	1										
3	...	X	129052-61010	CASE, GOVERNOR	1										
4	...		129052-61050	PACKING	1										
5	...		129052-61060	COVER	1										
6	...		129052-61070	PACKING	1										
7	...		129155-61120	LINK L=30(MARK 0	1										(1)
8	...		129155-61130	LINK L=31(MARK 1	1										(1)
9	...		129155-61140	LINK L=30.5(MARK 05)	1										(1)
10	...		171488-61200	WEIGHT ASSY, GOV.	1										
11	....	X	129155-61211	WEIGHT	4										
12	....	X	129155-61221	PIN, GOVERNOR WEIGHT	4										
13	....	X	171488-61290	BRACKET, WEIGHT	1										
14	...		129155-61341	SLEEVE	1										(2)
15	...		129100-61400	SHAFT ASSY, CONTROL	1										
16	....	X	129155-61410	SHAFT	1										
17	....	X	129100-61420	HOOK	1										
18	...		129155-61430	SPACER, SHAFT	1										
19	....	X	129156-61430	SPACER T=1.6	1										
20	....	X	129156-61440	SPACER T=2.0	1										
21	....	X	129156-61450	SPACER T=2.3	1										
22	...		129155-61450	BOLT, REVOL. LIMIT	1										
23	...		129155-61460	BOLT, IDLE LIMIT	1										
24	...		129155-61480	SPACER ASSY	2										
25	....	X	129156-61460	SPACER T=0.6,G LEVER	2										
26	....	X	129156-61470	SPACER T=0.7,G LEVER	2										
27	....	X	129156-61480	SPACER T=1.2,G LEVER	2										
28	....	X	129156-61490	SPACER T=0.8,G LEVER	2										
29	...		129052-61390	SHAFT, GOV. LEVER	1										
30	...		129412-61500	LEVER ASSY, GOVERNOR	1										
31	....		174307-51700	SHIM SET	2										
32	....	X	174307-51710	SHIM 0.1MM	2										
33	....	X	174307-51720	SHIM 0.2MM	2										
34	....	X	174307-51730	SHIM 0.3MM	2										
35	....	X	174307-51740	SHIM 0.15MM	2										
36	....	X	174307-51750	SHIM 0.05MM	2										
37	....	X	174307-51760	SHIM 0.25MM	2										
38	....	X	174307-51770	SHIM 0.35MM	2										
39	....	X	174307-51780	SHIM 0.40MM	2										
40	....	X	174307-51790	SHIM 0.45MM	2										
41	....	X	174307-51800	SHIM 0.50MM	2										
42	....	X	129052-61510	LEVER	1										
43	....	X	119843-61520	LEVER A, GOVERNOR	1										
44	....	X	129052-61530	LEVER (B)	1										
45	....		119843-61540	SPRING	1										
46	....	X	129155-61540	SHIFTER	1										
47	....	X	119843-61550	BUSH	2										
48	....	X	129052-61590	RETAINER	1										
49	....	X	129100-61910	HOOK	1										
50	....	X	129100-61920	PIN	1										
51	....	X	22272-000040	CIRCLIP E- 4	1										
52	....	X	26116-050102	BOLT M 5X 10 PLATED	2										
53	....	X	26106-060102	BOLT M 6X 10 PLATED	1										
54	....	X	22217-050000	SPRING WASHER 5	2										

\*\* CONTINUE \*\*

Y118737

# 11. GOVERNOR



X-MARK PARTS: NOT SOLD SEPARATELY.

+-----+  
 | 1A14 |  
 |(1A01)|  
 +-----+  
 Y00V6340

( 11 ) GOVERNOR

(A)=3TNE78A-MG (D)=  
 (B)= (E)=  
 (C)= (F)=

REF. NO.	LEV. 0	PART NO.	DESCRIPTION	-----Q'ITY-----						I	P/U	A	R
				(A)	(B)	(C)	(D)	(E)	(F)				
55	...	119660-61901	RETAINER, SHAFT	1									
56	...	129155-61950	BOLT, WASHER BASED	1									
57	...	124550-66370	LOCK NUT M 6	1									
58	...	22117-040000	WASHER 4	1									
59	...	22190-060003	SEAL WASHER 6S	1									
60	...	22190-100002	SEAL WASHER 10S	1									
61	...	22190-120002	SEAL WASHER 12	2									
62	...	22287-120000	WASHER 12	1									
63	...	22372-040000	SNAP PIN 4	2									
64	...	23887-100002	PLUG 10	1									
65	...	24341-000280	O-RING 1A S-28.0	1									
66	...	26106-060102	BOLT M 6X 10 PLATED	1									
67	...	26106-060102	BOLT M 6X 10 PLATED	1									
68	...	26106-060102	BOLT M 6X 10 PLATED	4									
69	...	26106-060142	BOLT M 6X 14 PLATED	2									
70	...	26106-060202	BOLT M 6X 20 PLATED	6									
71	...	26756-060002	LOCK NUT 6	1									
72	...	26776-120002	LOCK NUT M12 PLATED	2									
73	...	129155-61350	SLEEVE	1								(2)	
74	...	129155-61360	SLEEVE	1								(2)	
75	...	129155-61830	O-RING S10	1									
76	..	171488-61440	LEVER, CONTROL	1									
77	..	129155-61470	BOLT, FUEL CONTROL	1									
78	..	129500-61650	SPRING, FUEL CONTROL	1									
79	..	129477-61720	SPRING, GOVERNOR	1									
80	..	119653-77950	SOLENOID, STOP	1									
81	..	26366-080002	NUT M 8	1									
82	..	26687-120002	CAP NUT M12	1									

----- REMARKS -----

(1) SELECTIVE PARTS: CERTAIN THE CLASSIFICATION MARK, THEN PLACE YOUR ORDER.(REFER TO ILLUSTRATION ).

(2) SELECTIVE PARTS.

\* THIS FIGURE(GOVERNOR ASSY)IS INCORPORATED IN THE FUEL INJECTION PUMP ASSY(FIG.10).



+-----+  
 | 1A15 |  
 |(1A01)|  
 +-----+  
 Y00V6340

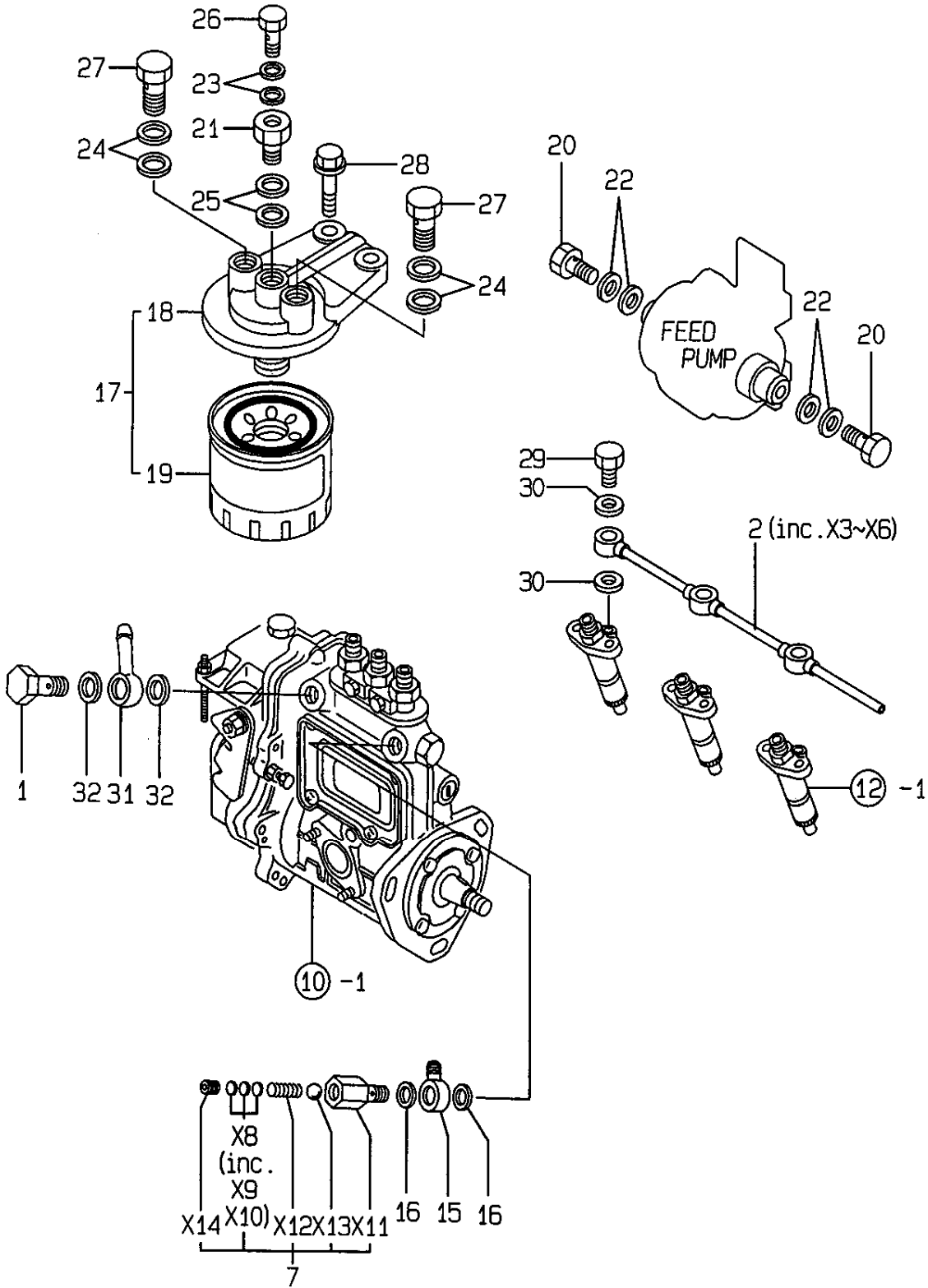
( 12 ) FUEL INJECTION VALVE

99.03.30

(A)=3TNE78A-MG (D)=  
 (B)= (E)=  
 (C)= (F)=

REF. NO.	LEV. 0	PART NO.	DESCRIPTION	-----Q'TY-----						I P/U A R
				(A)	(B)	(C)	(D)	(E)	(F)	
1	.	719989-53300	VALVE ASSY, F.INJECT	3						
2	..	119818-53000	NOZZLE ASSY, F.INJECT	3						
3	... X	119800-53010	VALVE, NOZZLE	3						
4	... X	119818-53040	BODY, NOZZLE	3						
5	..	114250-53080	NUT, NOZZLE CASE	3						
6	..	171460-53100	HOLDER	3						
7	..	114250-53120	SPRING, NOZZLE	3						
8	..	114250-53130	SEAT, NOZZLE SPRING	3						
9	..	114250-53140	PLATE, STOP	3						
10	..	114250-53210	PIN	6						
11	..	114250-53400	SHIM PACK	3						
12	... X	114250-53410	SHIM 0.4T	3						
13	... X	114250-53420	SHIM 0.5T	3						
14	... X	114250-53430	SHIM 0.6T	3						
15	... X	114250-53440	SHIM 0.7T	3						
16	... X	114250-53450	SHIM 0.8T	3						
17	... X	114250-53460	SHIM 0.15T	3						
18	.	119305-59120	RETAINER	1						
19	.. X	119305-59100	RETAINER, UPPER	1						
20	.. X	119305-59110	RETAINER, LOWER	1						
21	..	129150-59131	BOLT M4X14, HEX. SCKT.	1						
22	.	129150-59120	RETAINER, INJ. PIPE	1						
23	.. X	129150-59100	CLAMP, UPPER	1						
24	.. X	129150-59110	CLAMP, LOWER	1						
25	..	129150-59131	BOLT M4X14, HEX. SCKT.	2						
26	.	X 119813-59802	PIPE (1-3), F.INJECT.	1						
27	..	119813-59812	PIPE, F.INJECT (NO.1	1						
28	..	119813-59821	PIPE, FUEL INJECTION	1						
29	..	119813-59831	PIPE, FUEL INJECTION	1						

# 13. FUEL FILTER



+-----+  
 | 1A16 |  
 |(1A01)|  
 +-----+  
 Y00V6340

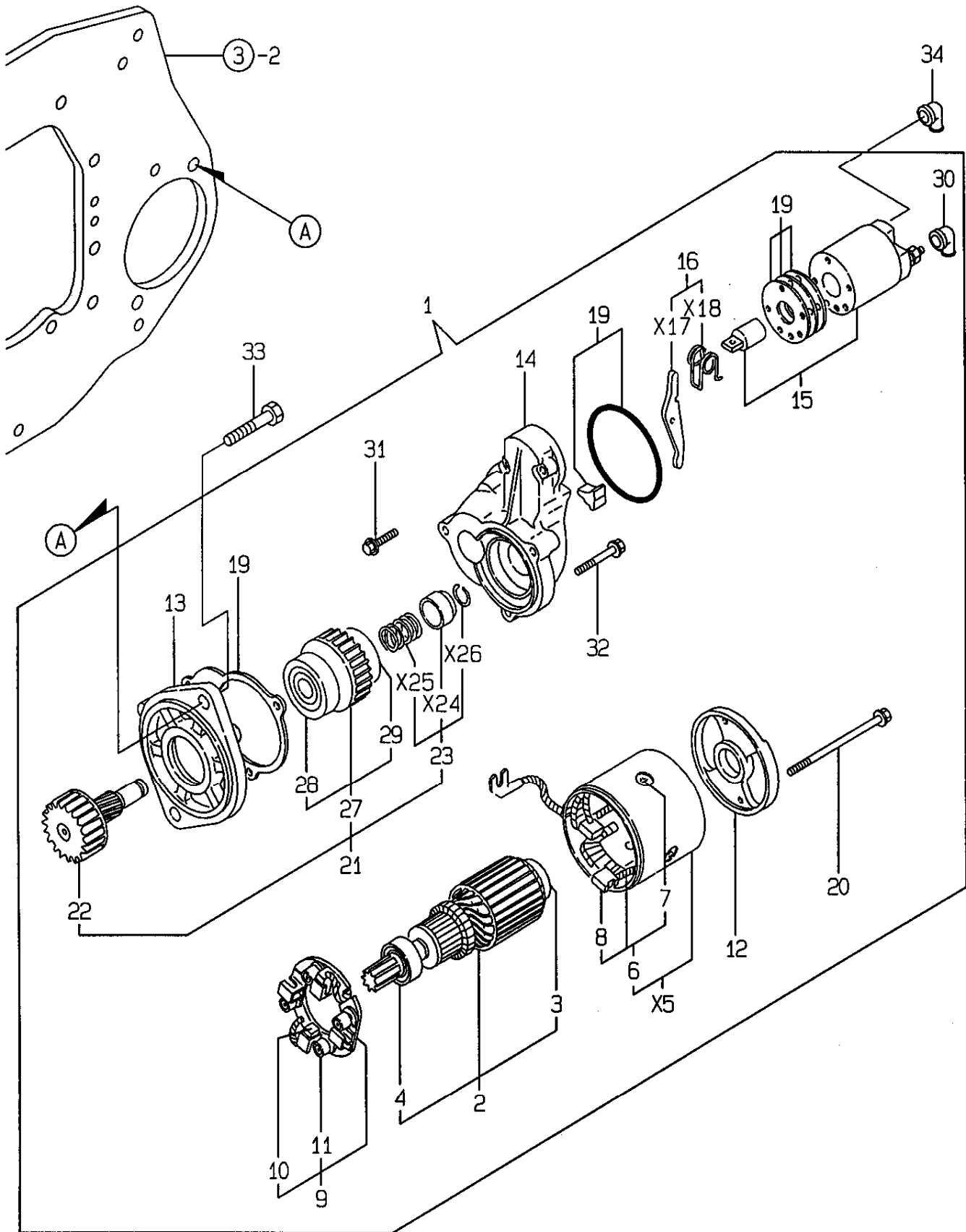
( 13 ) FUEL FILTER

99.03.30

(A)=3TNE78A-MG (D)=  
 (B)= (E)=  
 (C)= (F)=

REF. NO.	LEV. 0	PART NO.	DESCRIPTION	-----Q'TY----- I P/U A R					
				(A)	(B)	(C)	(D)	(E)	(F)
1	.	103854-39140	BOLT, PIPE JOINT	1					
2	.	119988-59551	FO-PIPE, RETURN	1					
3	..	X 129491-59510	JOINT, PIPE	2					
4	..	X 129491-59520	JOINT, PIPE	1					
5	..	X 23261-050000	PIPE 5	2					
6	..	X 23261-050000	PIPE 5	1					
7	.	129100-59951	VALVE ASSY, CHECK	1					
8	..	X 129100-59850	SHIM SET	1					
9	...	X 129100-59860	SHIM T=0.5	2					
10	...	X 129100-59870	SHIM T=1.0	1					
11	..	X 129100-59961	BODY, CHECK VALVE	1					
12	..	X 129100-59970	SPRING	1					
13	..	X 24190-080001	BALL 1/4, STEEL	1					
14	..	X 27241-100000	PLUG 10	1					
15	.	101304-59020	JOINT 12, PIPE	1					
16	.	23414-120000	GASKET 12, ROUND	2					
17	.	129470-55601	STRAINER ASSY, FUEL	1					
18	..	129470-55610	BODY, FUEL FILTER	1					
19	..	129470-55701	STRAINER ASSY, FUEL	1					
20	.	105582-59150	BOLT, PIPE JOINT	2					
21	.	129495-59300	BOLT, PIPE JOINT	1					
22	.	23414-080012	GASKET 8	4					
23	.	23414-080012	GASKET 8	2					
24	.	23414-120000	GASKET 12, ROUND	4					
25	.	23414-140000	GASKET 14, ROUND	2					
26	.	23857-030000	JOINT BOLT 3	1					
27	.	23857-060000	JOINT BOLT 6	2					
28	.	26106-100302	BOLT M10X 30 PLATED	2					
29	.	129491-59540	BOLT 6, PIPE JOINT	3					
30	.	23414-060000	GASKET 6, ROUND	6					
31	.	101304-59020	JOINT 12, PIPE	1					
32	.	22190-120002	SEAL WASHER 12	2					

# 14. STARTING MOTOR



x-MARK PARTS: NOT SOLD SEPARATELY.

+-----+  
 | 1B01 |  
 |(1A01)|  
 +-----+  
 Y00V6340

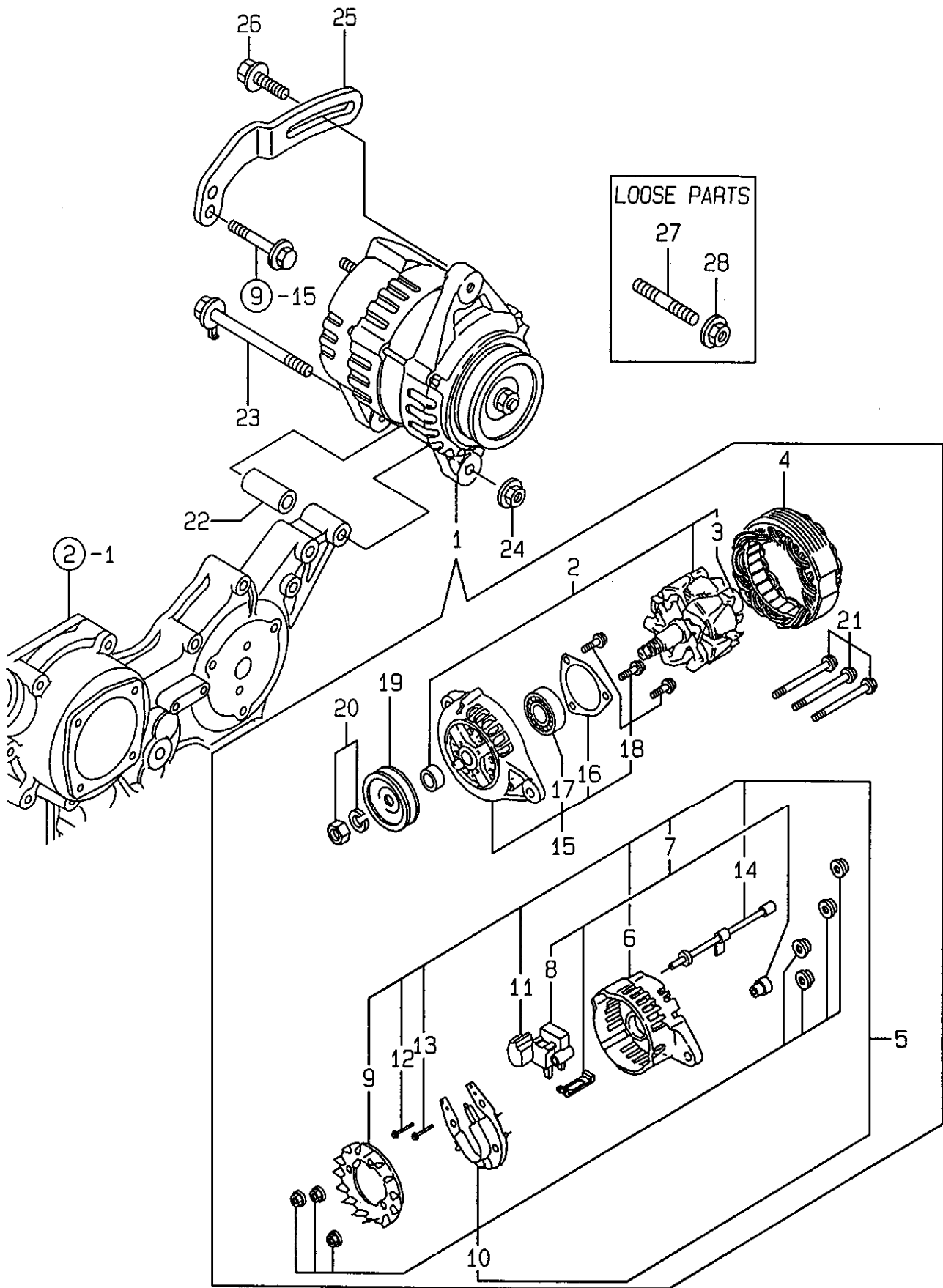
( 14 ) STARTING MOTOR

99.03.30

(A)=3TNE78A-MG (D)=  
 (B)= (E)=  
 (C)= (F)=

REF. NO.	LEV. 0	PART NO.	DESCRIPTION	-----Q'TY-----						I	P/U	A	R
				(A)	(B)	(C)	(D)	(E)	(F)				
1	.	171008-77010	STARTER	1									
2	..	171008-77400	ARMATURE ASSY	1									
3	...	X2130350900	BALL BEARING	1									
4	...	X2114255110	BALL BEARING	1									
5	.. X	171008-77430	YOKE ASSY	1									
6	...	171008-77440	COIL ASSY, FIELD	1									
7	....	171008-77450	SCREW, POLE CORE SET	4									
8	....	171008-77460	BRUSH (+)	2									
9	..	171008-77470	HOLDER ASSY, BRUSH	1									
10	...	171008-77480	BRUSH (-)	2									
11	...	171008-77490	SPRING, BRUSH	4									
12	..	171008-77500	COVER, REAR	1									
13	..	171008-77510	HOUSING ASSY, GEAR	1									
14	..	171008-77520	HOUSING, CENTER	1									
15	..	171008-77531	MAGNETIC SWITCH ASSY	1									
16	..	171008-77540	LEVER SET, SHIFT	1									
17	... X	171008-77550	LEVER, SHIFT	1									
18	... X	171008-77560	SPRING	1									
19	..	171008-77571	DUST COVER, (NON-ASB.	1									
20	..	171008-77640	BOLT, THROUGH	2									
21	..	171008-77650	PINION ASSY	1									
22	...	171008-77660	SHAFT, PINION	1									
23	...	171008-77670	STOPPER SET, PINION	1									
24	....X	171008-77680	STOPPER	1									
25	....X	171008-77690	SPRING, SHAFT RETURN	1									
26	....X	171008-77700	CLIP	1									
27	...	X2114555500	CLUTCH ASSY	1									
28	....	X2114955020	BALL BEARING	1									
29	....	X2240410100	BALL BEARING	1									
30	..	171008-77750	COVER, M TERMINAL	1									
31	..	26106-060322	BOLT M 6X 32 PLATED	2									
32	..	26106-060402	BOLT M 6X 40 PLATED	3									
33	.	26116-120252	BOLT M12X 25 PLATED	2									
34	.	124550-77030	COVER, TERMINAL	1									

# 15. GENERATOR



+-----+  
 | 1B02 |  
 | (1A01) |  
 +-----+  
 Y00V6340

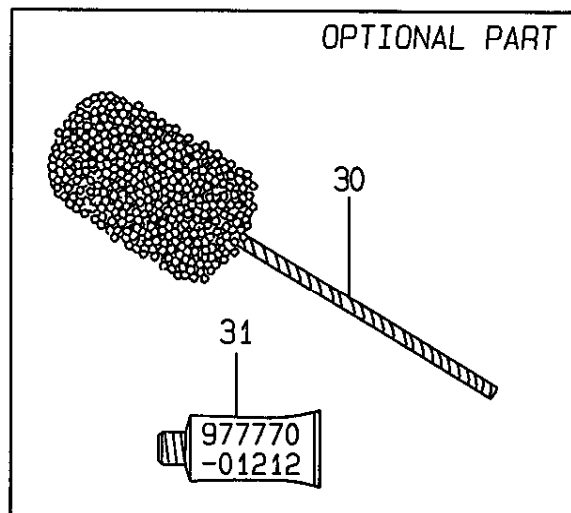
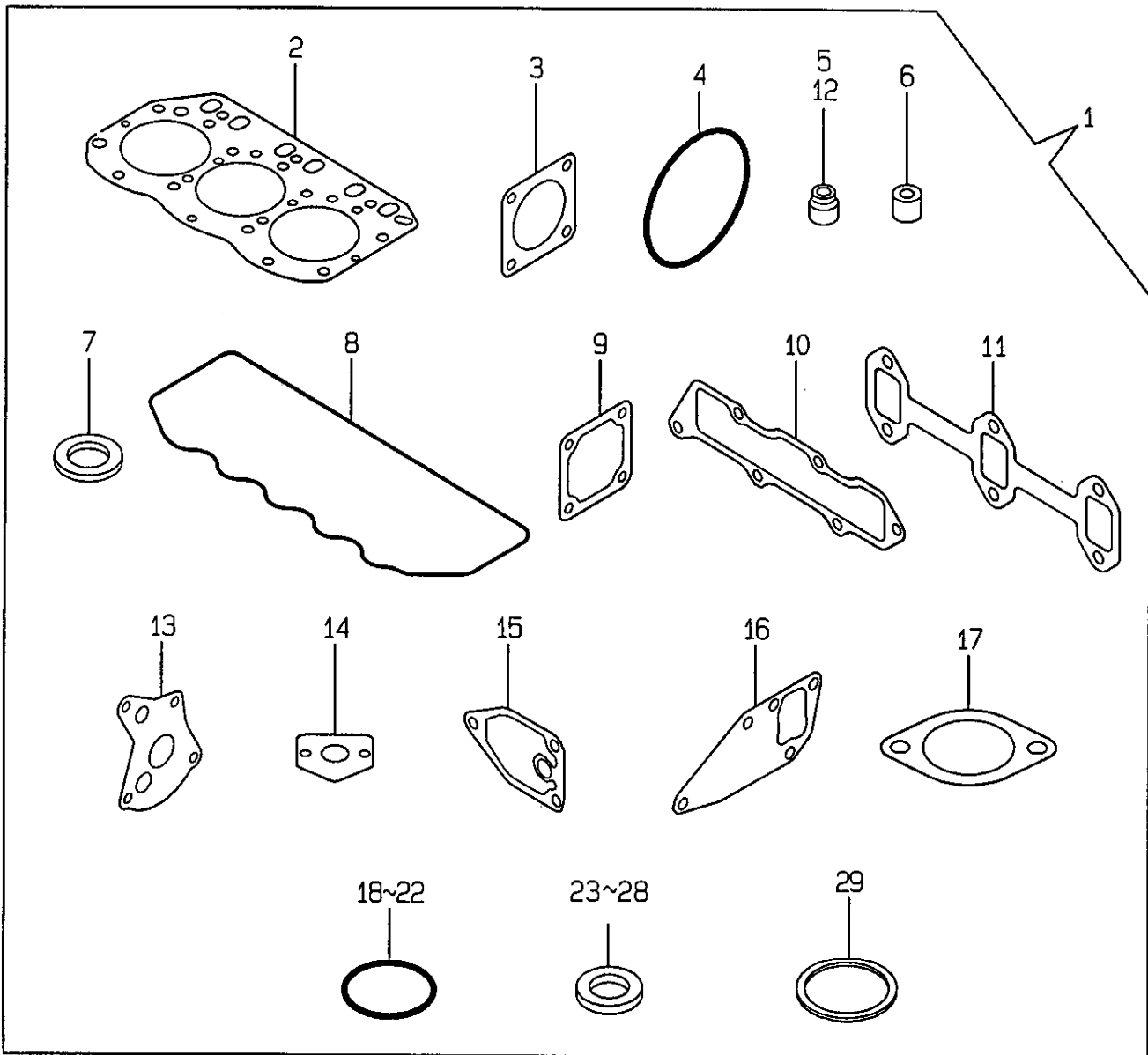
( 15 ) GENERATOR

99.03.30

(A)=3TNE78A-MG (D)=  
 (B)= (E)=  
 (C)= (F)=

REF. NO.	LEV. 0	PART NO.	DESCRIPTION	-----Q'ITY-----						I	P	U	A	R
				(A)	(B)	(C)	(D)	(E)	(F)					
1	.	119836-77200	GENERATOR	1										
2	..	119836-77700	ROTOR ASSY	1										
3	...	119836-77850	BALL BEARING	1										
4	..	119836-77710	STARTER ASSY	1										
5	..	119836-77721	COVER ASSY, REAR	1										
6	...	119836-77730	COVER, REAR	1										
7	...	119836-77741	BRUSH ASSY,REGULATOR	1										
8	.....	119836-77750	BRUSH ASSY	1										
9	...	119836-77760	GUIDE, FAN SIDE	1										
10	...	119836-77770	DIODE ASSY	1										
11	...	119836-77780	CONDENSER	1										
12	...	119836-77871	BOLT (1)	1										
13	...	119836-77880	BOLT (2)	1										
14	...	119836-77890	WIRE ASSY, LEAD	1										
15	..	119836-77790	COVER ASSY, FRONT	1										
16	...	119836-77800	RETAINER, BEARING	1										
17	...	119836-77840	BALL BEARING	1										
18	...	119836-77860	SCREW KID	1										
19	..	119836-77810	PULLEY	1										
20	..	119836-77820	NUT ASSY, PULLEY	1										
21	..	119836-77830	BOLT, THROUGH	1										
22	.	119820-77340	SPACER	1										
23	.	129136-77251	BOLT M 8X110	1										
24	.	129612-77260	NUT, GENERATOR	1										
25	.	119810-77330	ADJUSTER	1										
26	.	119810-77340	BOLT	1										
27	.	129795-01900	STUD	1										
28	.	26366-100002	NUT M10	1										

# 16. GASKET SET



+-----+  
 | 1B03 |  
 |(1A01)|  
 +-----+  
 Y00V6340

( 16 ) GASKET SET

99.03.30

(A)=3TNE78A-MG (D)=  
 (B)= (E)=  
 (C)= (F)=

REF. NO.	LEV. 0	PART NO.	DESCRIPTION	-----Q'TY-----						I P/U A R
				(A)	(B)	(C)	(D)	(E)	(F)	
1	.	719818-92620	GASKET SET (NON-ASB.)	1						(1)
2	..	119818-01330	GASKET, CYL. HEAD	1						
3	..	124240-01883	GASKET, (NON-ASB.)	1						
4	..	121850-51960	O-RING, F.I.PUMP	1						
5	..	124160-11340	SEAL, VALVE STEM	3						
6	..	119625-11870	PROTECTOR, NOZZLE	3						
7	..	119625-11880	SEAT, NOZZLE	3						
8	..	119865-11310	GASKET, BONNET	1						
9	..	129150-77511	GASKET, (NON-ASB.)	1						
10	..	119813-12110	GASKET, INT. MANIFOLD	1						
11	..	119810-13110	GASKET, EXH. MANIFOLD	1						
12	..	124950-11340	SEAL, VALVE STEM	3						
13	..	129150-32020	GASKET, L.O. PUMP	1						
14	..	129150-35041	GASKET, (NON-ASB.)	1						
15	..	129150-35111	GASKET, (NON-ASB.)	1						
16	..	129150-42020	GASKET, C.W. PUMP	1						
17	..	129795-49551	GASKET, (NON-ASB.)	1						
18	..	24311-000120	O-RING 1A P 12.0	3						
19	..	24311-000160	O-RING 1A P-16.0	3						
20	..	24311-000320	O-RING 1A P-32.0	2						
21	..	24341-000500	O-RING 1A S-50.0	1						
22	..	24341-000240	O-RING 1A S-24.0	1						
23	..	23414-100000	GASKET 10, ROUND	2						
24	..	124465-44950	GASKET 16	2						
25	..	23414-060000	GASKET 6, ROUND	6						
26	..	23414-120000	GASKET 12, ROUND	6						
27	..	23414-080012	GASKET 8	6						
28	..	23414-140000	GASKET 14, ROUND	2						
29	..	129150-49811	GASKET, (NON-ASB.)	1						
30	.	129400-92420	FLEX HORN	1						(1)
31	.	977770-01212	GASKET, LIQUID	1						(1)

----- REMARKS -----

| (1) OPTIONAL PART.

Y118742

# PARTS INDEX

All parts of this Parts Catalog is arranged by Part No. order  
(depending on the spot where the part is used).

If you want to know by Part No. where your object part is used,  
please use this Parts Catalog.

-----+  
| 1M01 |  
-----+

PART NO.	DESCRIPTION	CATALOG NO.	GRP. REF. NO.	LOC NO.	PART NO.	DESCRIPTION	CATALOG NO.	GRP. REF. NO.	LOC. NO.
X2114255110	BALL BEARING	Y00V6340	14 4	1B01	119812-11700	HEAD ASSY, CYLINDER	Y00V6340	4 4	1A05
X2114555500	CLUTCH ASSY	Y00V6340	14 27	1B01	119813-12100	MANIFOLD, INTAKE	Y00V6340	5 1	1A06
X2114955020	BALL BEARING	Y00V6340	14 28	1B01	119813-12110	GASKET, INT. MANIFOLD	Y00V6340	2 2	1A06
X2130350900	BALL BEARING	Y00V6340	14 3	1B01				16 10	1B03
X2240410100	BALL BEARING	Y00V6340	14 29	1A01	119813-21000	CRANKSHAFT ASSY	Y00V6340	7 1	1A08
101304-59020	JOINT 12, PIPE	Y00V6340	13 15	1A16	119813-22300	PIN, PISTON	Y00V6340	7 21	1A08
103854-39140	BOLT, PIPE JOINT	Y00V6340	13 31	1A16	119813-59812	PIPE, F.INJECT (NO.1)	Y00V6340	12 27	1A15
104211-11180	RETAINER, SPRING	Y00V6340	4 14	1A05	119813-59821	PIPE, FUEL INJECTION	Y00V6340	12 28	1A15
104211-11370	CAP, VALVE	Y00V6340	4 18	1A05	119813-59831	PIPE, FUEL INJECTION	Y00V6340	12 29	1A15
105582-59150	BOLT, PIPE JOINT	Y00V6340	13 20	1A16	119818-01330	GASKET, CYL. HEAD	Y00V6340	1 22	1A02
114250-53080	NUT, NOZZLE CASE	Y00V6340	12 5	1A15	119818-22080	PISTON W/RINGS	Y00V6340	16 2	1B03
114250-53120	SPRING, NOZZLE	Y00V6340	12 7	1A15	119818-22500	RING SET	Y00V6340	7 15	1A08
114250-53130	SEAT, NOZZLE SPRING	Y00V6340	12 8	1A15	119818-22900	PISTON W/RING OS=.25	Y00V6340	7 32	1A08
114250-53140	PLATE, STOP	Y00V6340	12 9	1A15	119818-22950	RING SET O.S=0.25	Y00V6340	7 34	1A08
114250-53210	PIN	Y00V6340	12 10	1A15	119818-53000	NOZZLE ASSY, F.INJECT	Y00V6340	12 2	1A15
114250-53400	SHIM PACK	Y00V6340	12 11	1A15	119820-77340	SPACER	Y00V6340	15 22	1B02
119305-59120	RETAINER	Y00V6340	12 18	1A15	119836-77200	GENERATOR	Y00V6340	15 1	1B02
119620-02020	BOLT	Y00V6340	1 12	1A02	119836-77700	ROTOR ASSY	Y00V6340	15 2	1B02
119620-49290	COCK ASSY 1/4	Y00V6340	9 27	1A10	119836-77710	STARTER ASSY	Y00V6340	15 4	1B02
119625-11870	PROTECTOR, NOZZLE	Y00V6340	4 19	1A05	119836-77721	COVER ASSY, REAR	Y00V6340	15 5	1B02
119625-11880	SEAT, NOZZLE	Y00V6340	16 6	1B03	119836-77730	COVER, REAR	Y00V6340	15 6	1B02
119640-01640	DRAIN PLUG M22	Y00V6340	3 8	1A04	119836-77741	BRUSH ASSY, REGULATOR	Y00V6340	15 7	1B02
119653-77950	SOLENOID, STOP	Y00V6340	11 80	1A14	119836-77750	BRUSH ASSY	Y00V6340	15 8	1B02
119660-61901	RETAINER, SHAFT	Y00V6340	11 55	1A14	119836-77760	GUIDE, FAN SIDE	Y00V6340	15 9	1B02
119810-01200	BOLT, CYL. HEAD	Y00V6340	1 21	1A02	119836-77770	DIODE ASSY	Y00V6340	15 10	1B02
119810-01730	SPACER, L.O. SUMP	Y00V6340	3 6	1A04	119836-77780	CONDENSER	Y00V6340	15 11	1B02
119810-01770	SUMP ASSY, OIL	Y00V6340	3 7	1A04	119836-77790	COVER ASSY, FRONT	Y00V6340	15 15	1B02
119810-01780	SEAL, OIL	Y00V6340	3 16	1A04	119836-77800	RETAINER, BEARING	Y00V6340	15 16	1B02
119810-02870	MAIN BEARING US=0.25	Y00V6340	1 23	1A02	119836-77810	PULLEY	Y00V6340	15 19	1B02
119810-02940	BEARING, THRUST	Y00V6340	1 18	1A02	119836-77820	NUT ASSY, PULLEY	Y00V6340	15 20	1B02
119810-11100	VALVE, SUCTION	Y00V6340	4 11	1A05	119836-77830	BOLT, THROUGH	Y00V6340	15 21	1B02
119810-11110	VALVE, EXHAUST	Y00V6340	4 12	1A05	119836-77840	BALL BEARING	Y00V6340	15 17	1B02
119810-11120	SPRING, VALVE	Y00V6340	4 13	1A05	119836-77850	BALL BEARING	Y00V6340	15 3	1B02
119810-11240	SHAFT, ROCKER ARM	Y00V6340	4 24	1A05	119836-77860	SCREW KID	Y00V6340	15 18	1B02
119810-13110	GASKET, EXH.MANIFOLD	Y00V6340	5 7	1A06	119836-77871	BOLT (1)	Y00V6340	15 12	1B02
119810-14400	ROD, PUSH	Y00V6340	6 2	1A07	119836-77880	BOLT (2)	Y00V6340	15 13	1B02
119810-14580	CAMSHAFT ASSY	Y00V6340	6 3	1A07	119836-77890	WIRE ASSY, LEAD	Y00V6340	15 14	1B02
119810-23200	BOLT, CONNECTING ROD	Y00V6340	7 27	1A08	119843-61540	SPRING	Y00V6340	11 45	1A13
119810-23600	BEARING, CRANKPIN	Y00V6340	7 28	1A08	119865-11210	SUPPORT ASSY, ROCKER	Y00V6340	4 23	1A05
119810-23610	BEARING, PIN U.S=0.25	Y00V6340	7 30	1A08	119865-11310	GASKET, BONNET	Y00V6340	4 44	1A05
119810-23910	BUSH, PISTON PIN	Y00V6340	7 26	1A08	119889-49530	COVER, THERMOSTAT	Y00V6340	9 20	1A10
119810-35300	PIPE ASSY, OIL INLET	Y00V6340	8 16	1A09	119932-34800	DIPSTICK, LUB. OIL	Y00V6340	8 41	1A09
119810-39200	PIPE ASSY, LUB. OIL	Y00V6340	8 29	1A09	119988-59551	FO-PIPE, RETURN	Y00V6340	13 2	1A16
119810-42001	PUMP, C.V. (NON-ASB.)	Y00V6340	9 1	1A10	121023-01550	COVER, BLIND	Y00V6340	2 24	1A03
119810-51040	CAMSHAFT	Y00V6340	10 5	1A11	121111-21501	BOLT, FLYWHEEL	Y00V6340	7 11	1A08
119810-77340	BOLT	Y00V6340	15 25	1B02	121450-01560	STUD, M 8X 22	Y00V6340	2 5	1A03
119811-21570	FLYWHEEL W/GEAR	Y00V6340	7 12	1A08	121450-42450	PLUG M16	Y00V6340	9 24	1A10
			15 26	1B02	121520-34810	GUIDE, DIPSTICK	Y00V6340	8 14	1A09
			15 26	1B02	121850-21680	BOLT, V-PULLEY	Y00V6340	7 10	1A08
			15 26	1B02	121850-51960	O-RING, F.I.PUMP	Y00V6340	2 12	1A03
			15 26	1B02	122117-51560	SCREW, PINION	Y00V6340	16 4	1B03
			7 12	1A08				10 48	1A11

PART NO.	DESCRIPTION	CATALOG NO.	GRP. NO.	REF. NO.	LOC. NO.	PART NO.	DESCRIPTION	CATALOG NO.	GRP. NO.	REF. NO.	LOC. NO.
122710-51090	KEY	Y00V6340	10	8	1A11	129150-14200	TAPPET	Y00V6340	6	1	1A07
124060-11800	GUIDE, VALVE	Y00V6340	4	7	1A05	129150-21200	GEAR, CRANKSHAFT	Y00V6340	7	4	1A08
124160-01751	CAP, LUB.OIL SUPPLY	Y00V6340	2	6	1A03	129150-25101	GEAR, W/BUSH	Y00V6340	6	10	1A07
124160-01910	PLUG PT1/4	Y00V6340	4	39	1A05	129150-25900	GEAR, FUEL INJ. PUMP	Y00V6340	6	15	1A07
124160-11340	SEAL, VALVE STEM	Y00V6340	4	16	1A02	129150-25920	BUSH, IDLE GEAR	Y00V6340	6	13	1A07
124160-11360	KNOB	Y00V6340	16	5	1A05	129150-32020	GASKET, L.O. PUMP	Y00V6340	8	39	1A09
124160-39140	BOLT 10, PIPE JOINT	Y00V6340	4	48	1B03	129150-35041	GASKET, (NON-ASB.)	Y00V6340	8	15	1A09
124160-39450	SWITCH, OIL PRESSURE	Y00V6340	8	38	1A09	129150-35101	BRACKET, STRAINER	Y00V6340	8	21	1A09
124240-01871	COVER, HO-P	Y00V6340	2	7	1A03	129150-35111	GASKET, (NON-ASB.)	Y00V6340	8	22	1A09
124240-01883	GASKET, (NON-ASB.)	Y00V6340	2	8	1A03	129150-35151	FILTER 80X80L	Y00V6340	8	23	1A09
124465-44950	GASKET 16	Y00V6340	9	23	1A10	129150-35350	NUT	Y00V6340	8	25	1A09
124550-21600	RING GEAR	Y00V6340	16	24	1B03	129150-42020	GASKET, C.W. PUMP	Y00V6340	9	14	1A10
124550-51350	GASKET, DELIVERY	Y00V6340	10	30	1A11	129150-42320	O-RING	Y00V6340	16	16	1B03
124550-51370	O-RING, DELIVERY	Y00V6340	10	31	1A11	129150-49811	GASKET, (NON-ASB.)	Y00V6340	9	31	1A10
124550-59820	BOLT 8, PIPE JOINT	Y00V6340	8	34	1A09	129150-59120	RETAINER, INJ. PIPE	Y00V6340	16	29	1B03
124550-59830	BOLT W/ SEAL WASHER	Y00V6340	8	33	1A09	129150-59131	BOLT M4X14, HEX.SCKT.	Y00V6340	12	21	1A15
124550-66370	LOCK NUT M 6	Y00V6340	11	57	1A14	129150-77511	GASKET, (NON-ASB.)	Y00V6340	5	5	1A15
124550-77030	COVER, TERMINAL	Y00V6340	14	34	1B01	129155-11260	SUPPORT, ROCKER ARM	Y00V6340	4	27	1A05
124950-11340	SEAL, VALVE STEM	Y00V6340	4	17	1A05	129155-11270	SUPPORT, ROCKER ARM	Y00V6340	4	28	1A05
124950-51190	SPRING, PLUNGER	Y00V6340	10	15	1A11	129155-42350	V-PULLEY, C.W. PUMP	Y00V6340	9	18	1A10
129001-32001	PUMP ASSY, LUB. OIL	Y00V6340	8	24	1A09	129155-49800	THERMOSTAT	Y00V6340	9	30	1A10
129001-35300	BOLT, LUB.O. STRAINER	Y00V6340	2	20	1A03	129155-51020	STUD, FEED PUMP	Y00V6340	10	4	1A11
129001-91840	BOLT M8X85(AUTO	Y00V6340	11	4	1A13	129155-51050	BALL BEARING, THRUST	Y00V6340	10	6	1A11
129052-61050	PACKING	Y00V6340	11	5	1A13	129155-51060	CAM SHAFT SUPPORT	Y00V6340	10	7	1A11
129052-61060	COVER	Y00V6340	11	6	1A13	129155-51140	PIN, BARREL LOCKING	Y00V6340	10	12	1A11
129052-61070	PACKING	Y00V6340	11	29	1A13	129155-51180	SPRING SHOE, PLUNGER	Y00V6340	10	14	1A11
129052-61390	SHAFT, GOV. LEVER	Y00V6340	3	1	1A04	129155-51200	TAPPET ASSY	Y00V6340	10	16	1A11
129100-01580	PARALLEL PIN 8X16	Y00V6340	7	2	1A08	129155-51270	LOCKING, TAPPET	Y00V6340	10	23	1A11
129100-25061	SHAFT, IDLE GEAR	Y00V6340	6	9	1A07	129155-51280	O-RING S6	Y00V6340	10	24	1A11
129100-51300	VALVE W/SEAT, DELIV.	Y00V6340	10	25	1A11	129155-51320	SPRING, DELIV. VALVE	Y00V6340	11	2	1A13
129100-52200	COVER, BLIND	Y00V6340	10	93	1A12	129155-51340	GUARD, DELIVERY VALVE	Y00V6340	10	28	1A11
129100-59951	VALVE ASSY, CHECK	Y00V6340	13	7	1A16	129155-51370	STOPPER, VALVE	Y00V6340	10	29	1A11
129100-61400	SHAFT ASSY, CONTROL	Y00V6340	11	15	1A13	129155-51380	LOCKING (A)	Y00V6340	10	33	1A11
129108-51100	PLUNGER W/BARREL	Y00V6340	10	9	1A11	129155-51390	LOCKING (B)	Y00V6340	10	34	1A11
129120-77501	HEATER, AIR	Y00V6340	5	4	1A06	129155-51400	DEFLECTOR	Y00V6340	10	35	1A11
129136-77251	BOLT M 8X110	Y00V6340	15	23	1B02	129155-51410	CHECK BOLT, DEFLECTOR	Y00V6340	10	36	1A11
129150-02450	METAL, THRUST	Y00V6340	6	4	1A07	129155-51420	PLUG (M16)	Y00V6340	10	37	1A11
129150-03020	COVER, BREATHER	Y00V6340	4	40	1A05	129155-51450	SHIM SET, ADJUSTING	Y00V6340	10	38	1A11
129150-03070	BAFFLE, BREATHER	Y00V6340	4	41	1A05	129155-51500	RACK, CONTROL	Y00V6340	10	43	1A11
129150-03080	PLATE, SHELTER	Y00V6340	4	42	1A05	129155-51521	BUSH, RACK	Y00V6340	10	44	1A11
129150-03090	PIPE	Y00V6340	4	1	1A05	129155-51530	SPACER, AUX. SPRING	Y00V6340	10	45	1A11
129150-03100	RETAINER	Y00V6340	2	10	1A03	129155-51540	CIRCLIP	Y00V6340	10	46	1A11
129150-11230	SCREW, VALVE	Y00V6340	4	31	1A05	129155-51550	PINION, CONTROL	Y00V6340	10	47	1A11
129150-11280	SPRING	Y00V6340	4	29	1A05	129155-51570	PLUG (M12)	Y00V6340	10	50	1A11
129150-11750	NUT M8XP1.0	Y00V6340	4	33	1A05	129155-51580	O-RING	Y00V6340	10	51	1A11
129150-14101	GEAR, CAMSHAFT	Y00V6340	6	6	1A07	129155-51591	SPRING, RACK	Y00V6340	10	52	1A11

+-----+  
| 1M03 |  
+-----+

PART NO.	DESCRIPTION	CATALOG NO.	GRP. NO.	REF. NO.	LOC. NO.	PART NO.	DESCRIPTION	CATALOG NO.	GRP. NO.	REF. NO.	LOC. NO.
129155-51600	SHIM PACK	Y00V6340	10	53	1A11	171008-77500	COVER, REAR	Y00V6340	14	12	1B01
129155-51700	COVER, LOWER	Y00V6340	10	72	1A12	171008-77510	HOUSING ASSY, GEAR	Y00V6340	14	13	1B01
129155-51710	GASKET, LOWER COVER	Y00V6340	10	73	1A12	171008-77520	HOUSING, CENTER	Y00V6340	14	14	1B01
129155-51750	COVER, SIDE	Y00V6340	10	74	1A12	171008-77531	MAGNETIC SWITCH ASSY	Y00V6340	14	15	1B01
129155-51760	GASKET, SIDE COVER	Y00V6340	10	75	1A12	171008-77540	LEVER SET, SHIFT	Y00V6340	14	16	1B01
129155-51790	LOCKING, RACK	Y00V6340	10	76	1A12	171008-77571	DUST COVER, (NON-ASB.)	Y00V6340	14	19	1B01
129155-51930	SPACER T=3.25	Y00V6340	10	78	1A12	171008-77640	BOLT, THROUGH	Y00V6340	14	20	1B01
129155-51940	SPACER T=1.5	Y00V6340	10	79	1A12	171008-77650	PINION ASSY	Y00V6340	14	21	1B01
129155-52050	GASKET	Y00V6340	10	92	1A12	171008-77660	SHAFT, PINION	Y00V6340	14	22	1B01
129155-61120	LINK L=30(MARK 0)	Y00V6340	11	7	1A13	171008-77670	STOPPER SET, PINION	Y00V6340	14	23	1B01
129155-61130	LINK L=31(MARK 1)	Y00V6340	11	8	1A13	171008-77750	COVER, M TERMINAL	Y00V6340	14	30	1B01
129155-61140	LINK L=30.5(MARK 05)	Y00V6340	11	9	1A13	171051-01921	PLUG	Y00V6340	1	5	1A02
129155-61341	SLEEVE	Y00V6340	11	14	1A13	171460-53100	HOLDER	Y00V6340	12	6	1A15
129155-61350	SLEEVE	Y00V6340	11	73	1A14	171488-61200	WEIGHT ASSY, GOV.	Y00V6340	11	10	1A13
129155-61360	SLEEVE	Y00V6340	11	74	1A14	171488-61440	LEVER, CONTROL	Y00V6340	11	76	1A14
129155-61430	SPACER, SHAFT	Y00V6340	11	18	1A13	174307-51170	RETAINER A	Y00V6340	10	13	1A11
129155-61450	BOLT, REVOL. LIMIT	Y00V6340	11	22	1A13	174307-51560	PINION	Y00V6340	10	49	1A11
129155-61460	BOLT, IDLE LIMIT	Y00V6340	11	23	1A13	174307-51700	SHIM SET	Y00V6340	11	31	1A13
129155-61470	BOLT, FUEL CONTROL	Y00V6340	11	77	1A14	22117-040000	WASHER 4	Y00V6340	11	58	1A14
129155-61480	SPACER ASSY	Y00V6340	11	24	1A13	22190-060003	SEAL WASHER 6S	Y00V6340	11	59	1A14
129155-61830	O-RING S10	Y00V6340	11	75	1A14	22190-080002	SEAL WASHER 8S	Y00V6340	2	11	1A03
129155-61950	BOLT, WASHER BASED	Y00V6340	11	56	1A14				8	35	1A09
129156-51910	LABEL, CAUTION	Y00V6340	10	77	1A12				36		1A09
129176-01601	MOUNTING FLANGE	Y00V6340	3	2	1A03	22190-100002	SEAL WASHER 10S	Y00V6340	11	60	1A14
129400-01520	FLANGE, GEARS HOUSING	Y00V6340	2	4	1A03	22190-120002	SEAL WASHER 12	Y00V6340	11	61	1A14
129400-92420	FLEX HORN	Y00V6340	16	30	1B03				13	32	1A16
129412-61500	LEVER ASSY, GOVERNOR	Y00V6340	11	30	1A13				10	89	1A12
129470-55601	STRAINER ASSY, FUEL	Y00V6340	13	17	1A16	22190-160002	SEAL WASHER 16S	Y00V6340	10	89	1A12
129470-55610	BODY, FUEL FILTER	Y00V6340	13	18	1A16	22190-220002	SEAL WASHER 22S	Y00V6340	3	10	1A04
129470-55701	STRAINER ASSY, FUEL	Y00V6340	13	19	1A16	22217-050000	SPRING WASHER 5	Y00V6340	10	80	1A12
129477-61720	SPRING, GOVERNOR	Y00V6340	11	79	1A14	22217-060000	SPRING WASHER 6	Y00V6340	10	81	1A12
129486-01670	BOLT M8X30, COLLAR HD	Y00V6340	3	17	1A04	22217-120000	SPRING WASHER	Y00V6340	6	16	1A07
129491-59540	BOLT 6, PIPE JOINT	Y00V6340	13	29	1A16	22287-120000	WASHER 12	Y00V6340	11	62	1A14
129495-59300	BOLT, PIPE JOINT	Y00V6340	13	21	1A16	22351-040010	SPRING PIN 4X10	Y00V6340	7	7	1A08
129500-61650	SPRING, FUEL CONTROL	Y00V6340	11	78	1A14	22351-050010	SPRING PIN 5X10	Y00V6340	10	82	1A12
129550-21650	V-PULLEY, CRANKSHAFT	Y00V6340	7	8	1A08	22351-060012	SPRING PIN 6X12	Y00V6340	4	22	1A05
129612-77260	NUT, GENERATOR	Y00V6340	15	24	1B02	22372-040000	SNAP PIN 4	Y00V6340	11	63	1A14
129792-22400	CIRCLIP 23	Y00V6340	7	22	1A08	22512-070140	KEY 7X 14	Y00V6340	6	7	1A07
129795-01800	SEAL, OIL	Y00V6340	2	3	1A03				7	5	1A08
129795-01900	STUD	Y00V6340	15	27	1B02	23414-060000	GASKET 6, ROUND	Y00V6340	13	30	1A16
129795-01950	PIPE, KNOCK L=18	Y00V6340	2	9	1A03				16	25	1B03
129795-02411	BUSH, CAMSHAFT	Y00V6340	1	13	1A02	23414-080012	GASKET 8	Y00V6340	13	22	1A16
129795-21661	WASHER	Y00V6340	7	9	1A08				16	23	1A16
129795-49551	GASKET, (NON-ASB.)	Y00V6340	16	17	1B03	23414-100000	GASKET 10, ROUND	Y00V6340	8	37	1A09
129900-07900	LIFTER, ENGINE	Y00V6340	4	2	1A05				16	23	1B03
171008-77010	STARTER	Y00V6340	14	1	1B01	23414-120000	GASKET 12, ROUND	Y00V6340	13	16	1A16
171008-77400	ARMATURE ASSY	Y00V6340	14	2	1B01				24		1A16
171008-77440	COIL ASSY, FIELD	Y00V6340	14	6	1B01				16	26	1B03
171008-77450	SCREW, POLE CORE SET	Y00V6340	14	7	1B01	23414-140000	GASKET 14, ROUND	Y00V6340	13	25	1A16
171008-77460	BRUSH (+)	Y00V6340	14	8	1B01				16	28	1B03
171008-77470	HOLDER ASSY, BRUSH	Y00V6340	14	9	1B01	23857-030000	JOINT BOLT 3	Y00V6340	13	26	1A16
171008-77480	BRUSH (-)	Y00V6340	14	10	1B01	23857-060000	JOINT BOLT 6	Y00V6340	13	27	1A16
171008-77490	SPRING, BRUSH	Y00V6340	14	11	1B01	23871-010000	PLUG PT1/8, SCREW	Y00V6340	1	6	1A02

-----+  
| 1M04 |  
-----+

PART NO.	DESCRIPTION	CATALOG NO.	GRP. NO.	REF. NO.	LOC	PART NO.	DESCRIPTION	CATALOG NO.	GRP. NO.	REF. NO.	LOC.
23871-030000	PLUG PT3/8, SCREW	Y00V6340	9	12	1A10	26116-120252	BOLT M12X 25 PLATED	Y00V6340	14	33	1B01
23887-100002	PLUG 10	Y00V6340	11	64	1A14	26206-100202	BOLT M10X20	Y00V6340	3	5	1A04
24101-063034	BALL BEARING	Y00V6340	10	83	1A12	26206-100252	BOLT M10X25	Y00V6340	3	4	1A04
24311-000120	O-RING 1A P 12.0	Y00V6340	4	21	1A05	26216-060302	STUD M 6X 30 PLATED	Y00V6340	4	9	1A05
24311-000160	O-RING 1A P-16.0	Y00V6340	2	13	1A03	26226-080182	STUD M 8X 18 PLATED	Y00V6340	4	34	1A05
			8	26	1A09	26366-060002	NUT M 6	Y00V6340	4	37	1A05
			16	19	1B03	26366-080002	NUT M 8	Y00V6340	2	21	1A03
24311-000320	O-RING 1A P-32.0	Y00V6340	2	14	1A03	26366-100002	NUT M10	Y00V6340	15	28	1B02
			4	45	1A05	26450-060252	BOLT M 6X 25	Y00V6340	8	40	1A09
			16	20	1B03	26587-120002	CAP NUT M12	Y00V6340	11	82	1A14
24341-000160	O-RING 1A S-16.0	Y00V6340	10	84	1A12	26716-060002	NUT 6	Y00V6340	10	88	1A12
24341-000240	O-RING 1A S-24.0	Y00V6340	2	25	1A03	26716-120002	NUT 12	Y00V6340	6	17	1A07
			16	22	1B03	26756-060002	LOCK NUT 6	Y00V6340	11	71	1A14
24341-000280	O-RING 1A S-28.0	Y00V6340	11	65	1A14	26776-120002	LOCK NUT M12 PLATED	Y00V6340	11	72	1A14
24341-000500	O-RING 1A S-50.0	Y00V6340	4	46	1A05	27231-500000	PLUG 50	Y00V6340	1	7	1A02
			16	21	1B03	27241-120000	PLUG 12	Y00V6340	1	8	1A02
25132-003800	V-BELT (A-38)	Y00V6340	9	17	1A10	27241-300000	PLUG 30	Y00V6340	1	9	1A02
26014-060142	BOLT M 6X 14	Y00V6340	9	19	1A10	27241-400000	PLUG 40	Y00V6340	4	10	1A05
26022-050102	SCREW M 5X 10	Y00V6340	10	85	1A12	27310-070000	COTTER	Y00V6340	4	15	1A05
26022-060162	SCREW M 6X 16	Y00V6340	10	86	1A12	46150-503100	SENDER	Y00V6340	9	22	1A10
26106-060102	BOLT M 6X 10 PLATED	Y00V6340	11	66	1A14	719810-01500	HOUSING ASSY, GEAR	Y00V6340	2	1	1A03
			67	1A14	1A14	719810-01650	CASE ASSY, OIL SEAL	Y00V6340	3	14	1A04
			68	1A14	1A14	719810-11520	BONNET ASSY, HEAD	Y00V6340	4	38	1A05
26106-060142	BOLT M 6X 14 PLATED	Y00V6340	11	69	1A14	719810-11660	ARM ASSY, ROCKER	Y00V6340	4	30	1A05
26106-060162	BOLT M 6X 16 PLATED	Y00V6340	2	26	1A03	719810-23100	ROD ASSY, CONNECTING	Y00V6340	7	23	1A08
26106-060202	BOLT M 6X 20 PLATED	Y00V6340	11	70	1A14	719818-92620	GASKET SET(NON-ASB.)	Y00V6340	16	1	1B03
26106-060322	BOLT M 6X 32 PLATED	Y00V6340	14	31	1B01	719822-01560	BLOCK ASSY, CYLINDER	Y00V6340	1	1	1A02
26106-060402	BOLT M 6X 40 PLATED	Y00V6340	14	32	1B01	719989-51320	FUEL INJECTION PUMP	Y00V6340	10	1	1A11
26106-080122	BOLT M 8X 12 PLATED	Y00V6340	2	15	1A03	719989-53300	VALVE ASSY, F.INJECT	Y00V6340	12	1	1A15
26106-080142	BOLT M 8X 14 PLATED	Y00V6340	6	8	1A07	977770-01212	GASKET, LIQUID	Y00V6340	2	27	1A03
26106-080162	BOLT M 8X 16 PLATED	Y00V6340	2	16	1A03				3	18	1A04
			23	23	1A03				16	31	1B03
			3	11	1A04						
			4	3	1A05						
			47	47	1A05						
26106-080202	BOLT M 8X 20 PLATED	Y00V6340	2	17	1A03						
26106-080252	BOLT M 8X 25 PLATED	Y00V6340	8	27	1A09						
			4	35	1A05						
			5	3	1A06						
26106-080352	BOLT M 8X 35 PLATED	Y00V6340	9	25	1A10						
			3	3	1A04						
			5	6	1A06						
			8	20	1A09						
			9	15	1A10						
26106-080452	BOLT M 8X 45 PLATED	Y00V6340	2	18	1A03						
			3	12	1A04						
			6	14	1A07						
26106-080502	BOLT M 8X 50 PLATED	Y00V6340	4	36	1A05						
26106-080552	BOLT M 8X 55 PLATED	Y00V6340	2	19	1A03						
			9	16	1A10						
26106-080652	BOLT M 8X 65 PLATED	Y00V6340	9	26	1A10						
26106-100302	BOLT M10X 30 PLATED	Y00V6340	13	28	1A16						
26116-050302	BOLT M 5X 30 PLATED	Y00V6340	10	87	1A12						



**YANMAR DIESEL ENGINE CO.,LTD.**

YANMAR OSAKA PARTS DEPOT  
2-3-27, Chibune, Nishiyodogawa-ku,  
Osaka 555-0013, Japan  
Facsimile: 06-6474-6771

OVERSEAS OPERATIONS DIVISION  
2-1-1, Yaesu, Chuo-ku,  
Tokyo 104-0028, Japan  
Facsimile: 03-3272-0687  
Cabel: YANMAR TOKYO

HEAD OFFICE  
1-32, Chayamachi, Kita-ku,  
Osaka 530-8311, Japan  
Facsimile: 06-6372-8004  
Cable: YANMAR OSAKA