

Filtering kit

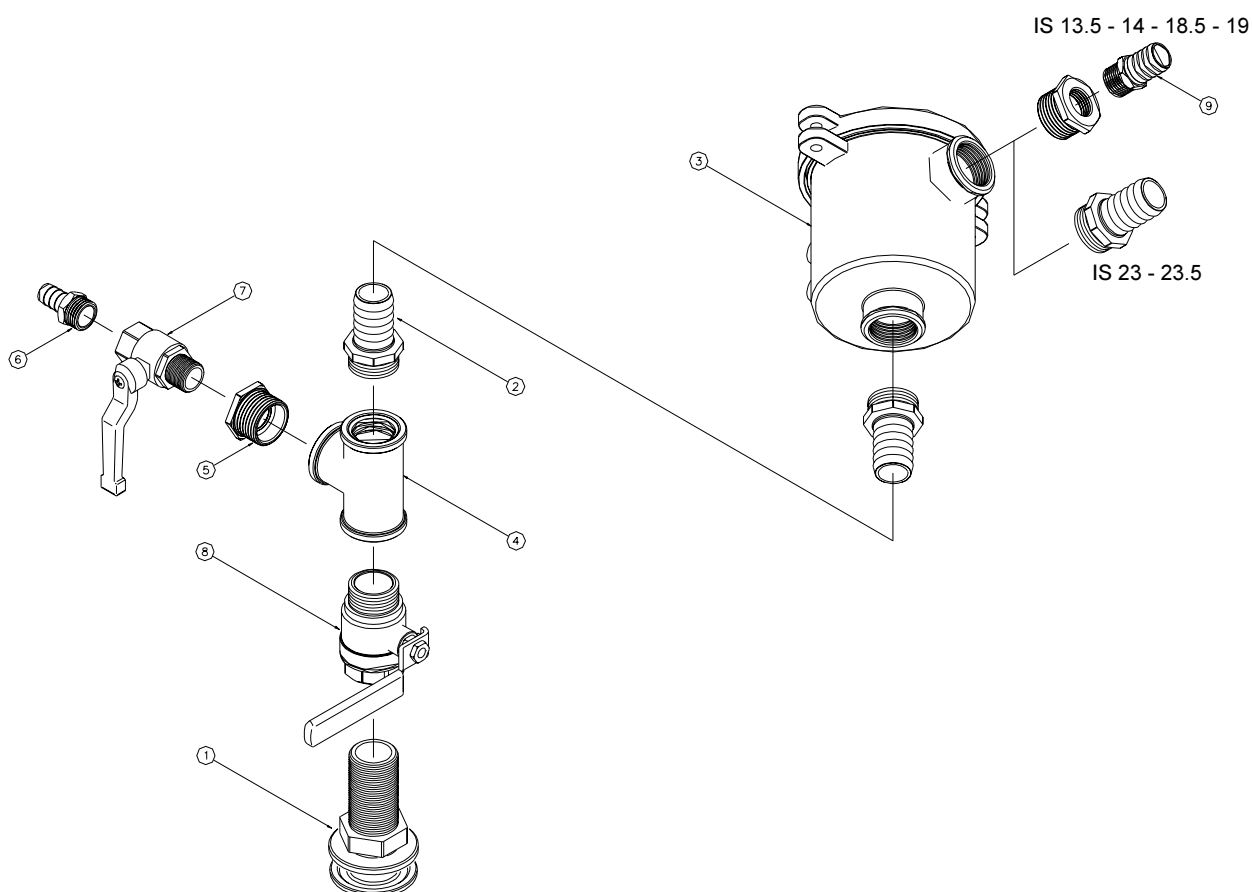
Cod. 03793

FIG.

Rev. / Rel.

Suitable for:

IS 13.5 - IS 14 - IS 18.5 - IS 19 - IS 23 - IS 23.5



Ref.	Cod.	Description	Q.t.
1	20336	Sea water inlet size 1"	1
2	20338	Fitting diam. 25 x 1"	3
3	20339	Strainer H 20mm CEST.P2 1"	1
4	20340	T union size 1"	1
5	20344	Reducer .1" M 1/2" F	2
6	20512	Fitting diam. 14 x 1/2"	1
7	20525	Cock size 1/2"	1
8	20612	Cock size 1"	1
9	11157	fitting	1