

\* Certified:  
**IGNITION  
PROTECTED**



**2 Year/  
2000 hour  
Warranty**



**Genset Model # IS6.0**

**Remote Control Panel (Standard with genset)**

- A compact 5-3/8" x 3-5/8" with a 33' shielded cable
- The microprocessor based design features a vibration-proof keypad with UV protection.
- Digital hour-meter
- ON/START/OFF controls
- Low oil pressure light
- Engine and alternator high temperature warning lights and safety cut-outs

**Engine**

- One-side serviceability of injection and lubrication system, sea water pump and air filter
- Low oil pressure safety cut-out
- Exhaust high temperature safety cut-out
- Double vibration damping system
- Built-in oil sump evacuation pump

**Alternator**

- Synchronous, 2 poles, self-excited
- Rotor and stator epoxy resin coated against external agents
- Rotor dynamically balanced
- Insulation class H

**Sound absorbant exterior housing**

The aluminum housing provides effective sound reduction and ensures the proper operation of the intercooler system. The top and side panels are removable, offering easy access during installation, and maintenance, even in very tight areas. The exterior housing of the IS6.0 offers practical, quiet function with size efficiency.

**5.7 kW maximum power  
4.8 kW continuous power**

**The Water/Air Intercooler**

The intercooler is cooled by water -- the engine is cooled by air. This unique Mase time-tested design creates an internal circular motion of air keeping the engine, as well as the alternator, at the ideal temperature. By creating this cooling "capsule" a minimal amount of heat is absorbed and emitted by the genset.

**Engine**

Model:	<b>Yanmar L100AE</b>
Type:	Diesel / 4-stroke
Cylinders:	1
Cylinder block material:	Aluminium
Bore:	3.38"
Stroke:	2.75"
Displacement :	406cc
Power @ 3600rpm:	10.0hp
RPM:	3600
Compression ratio:	20:1
Combustion system:	Direct injection
Engine head material:	Aluminium
Speed governor:	Centrifugal mechanical
Lubrication system:	Forced
Oil sump capacity with filter:	1.7qt.
Engine stop system:	Fuel solenoid
Fuel pump:	Electric
Fuel pump discharge:	2.3'
Fuel consump. @ full load:	.660gal/hr
Air combustion requirement:	23cfm
Starting battery:	45Ah - 12V
Starter:	0.8kW - 12V
Max. inclination:	30°
Water pump flow:	4.4gal/min

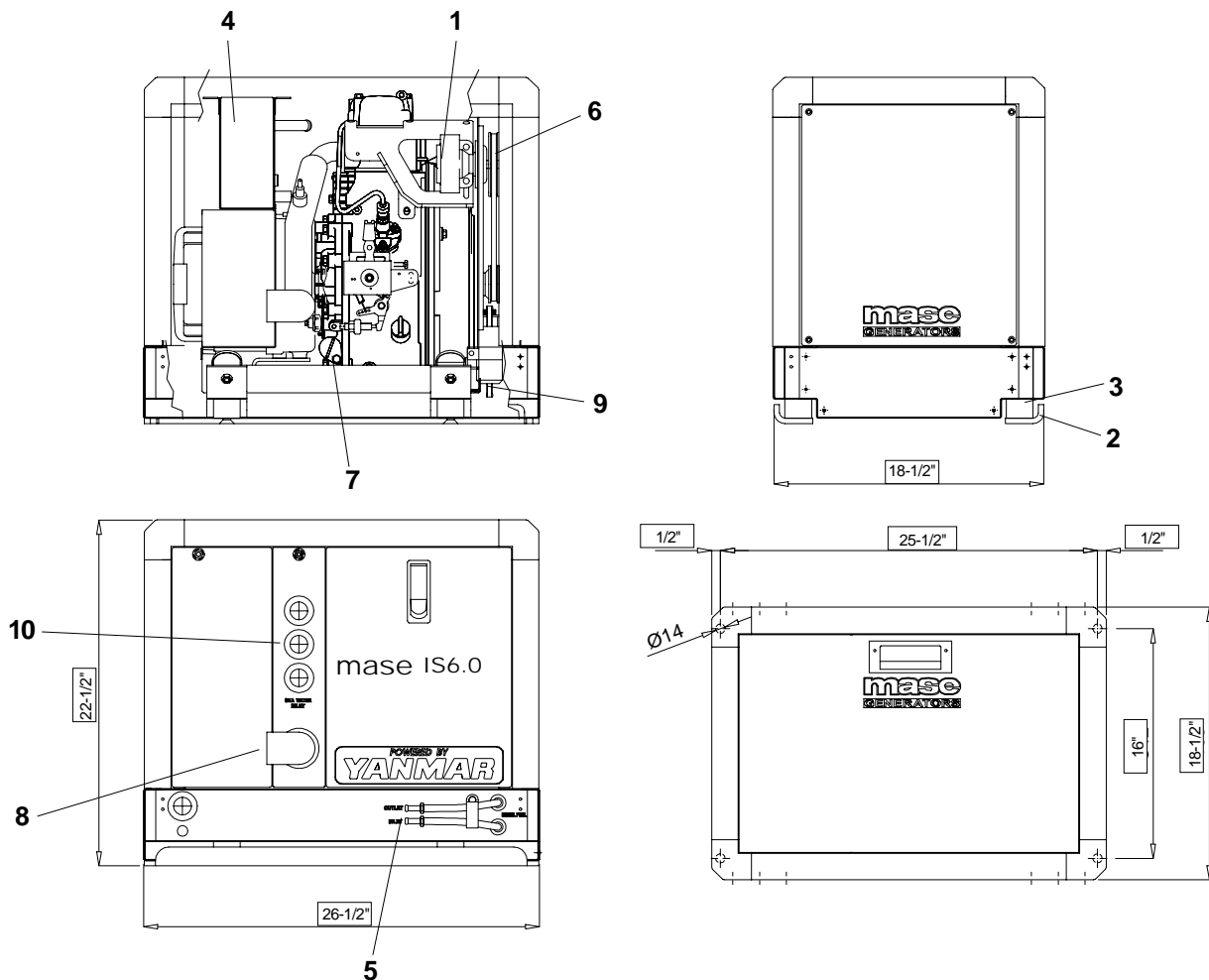
**Generator Ratings**

Type:	Brushless, synchronous, 2-poles, self-excited
Cooling:	Air/water (Intercooler water/air)
Voltage:	120 - 240V
Nominal current:	47.5 - 23.7A
Frequency:	60Hz
Max. power:	5.7kW
Continuous power:	4.8kW
Battery charging output:	10A - 12V
Power factor (cos ø):	1
Insulating class:	H
Voltage stability:	±10%
Frequency stability:	±5%

**Engine cooling system**

The engine cooling system is based on a raw water/air heat exchanger which reduces the temperature of the air flow inside the box. The system also cools the alternator providing the optimal temperature for the best performance and reliability of the genset, regardless of its on-board location.

**Dimensions:** (LxWxH) 26-1/2" x 18-1/2" x 22-1/4"  
**Weight:** 286 lbs.  
**Sound Level:** 56 dBA at 23' (7m)



## Suggested Installation Accessories

- **Exhaust Kit** - reduces sound of engine exhaust
- **Water/Gas Separator Kit** - separates water and exhaust while further reducing sound
- **Siphon Break** - prevents sea water from entering the generator when off... *mandatory for below waterline installation*

*Mase Generators S.p.A. and Mase Generators North America reserve the right to change the design or specifications without notice and without any obligation or liability whatsoever.*

- 1- Raw water pump
- 2- Genset base brackets
- 3- Vibration mounts
- 4- Heat exchanger (Intercooler water/air)
- 5- Fuel tank connection
- 6- Air cleaner
- 7- Oil filter
- 8- Exhaust mixer (1-3/4")
- 9- Fuel pump connection (5/16")
- 10- Connection to raw water intake (5/8")